



No.:

Date: 27-DEC-2012

Customer :

TECHNICAL PROPOSAL

Three-phase induction motor - Squirrel cage rotor

Product line : Close Coupled Pump : Three-Phase - "JM" Type - ODP - NEMA Premium

Catalog Number : 03036OT3E284JM

List Price : \$3,185

Notes:

Performed by:

Checked:



No.:

Date: 27-DEC-2012

DATA SHEET

Three-phase induction motor - Squirrel cage rotor

Customer :
Product line : Close Coupled Pump : Three-Phase - "JM" Type - ODP - NEMA Premium

Frame : 284JM
Output : 30 HP
Frequency : 60 Hz
Poles : 2
Full load speed : 3540
Slip : 1.67 %
Voltage : 208-230/460 V
Rated current : 76.7-69.4/34.7 A
Locked rotor current : 444/222 A
Locked rotor current (I_L/I_n) : 6.4
No-load current : 22.0/11.0 A
Full load torque : 43.9 lb.ft
Locked rotor torque : 220 %
Breakdown torque : 280 %
Design : B
Insulation class : F
Temperature rise : 80 K
Locked rotor time : 10 s (hot)
Service factor : 1.15
Duty cycle : S1
Ambient temperature : -20°C - +40°C
Altitude : 1000
Degree of Protection : IP23
Approximate weight : 333 lb
Moment of inertia : 1.8856 sq.ft.lb
Noise level : 72 dB(A)

	D.E.	N.D.E.	Load	Power factor	Efficiency (%)
Bearings	6311 Z-C3	6211 Z-C3	100%	0.86	92.4
Regreasing interval	20000 h	20000 h	75%	0.84	93.0
Grease amount	18 g	11 g	50%	0.77	92.4

Notes:

Performed by

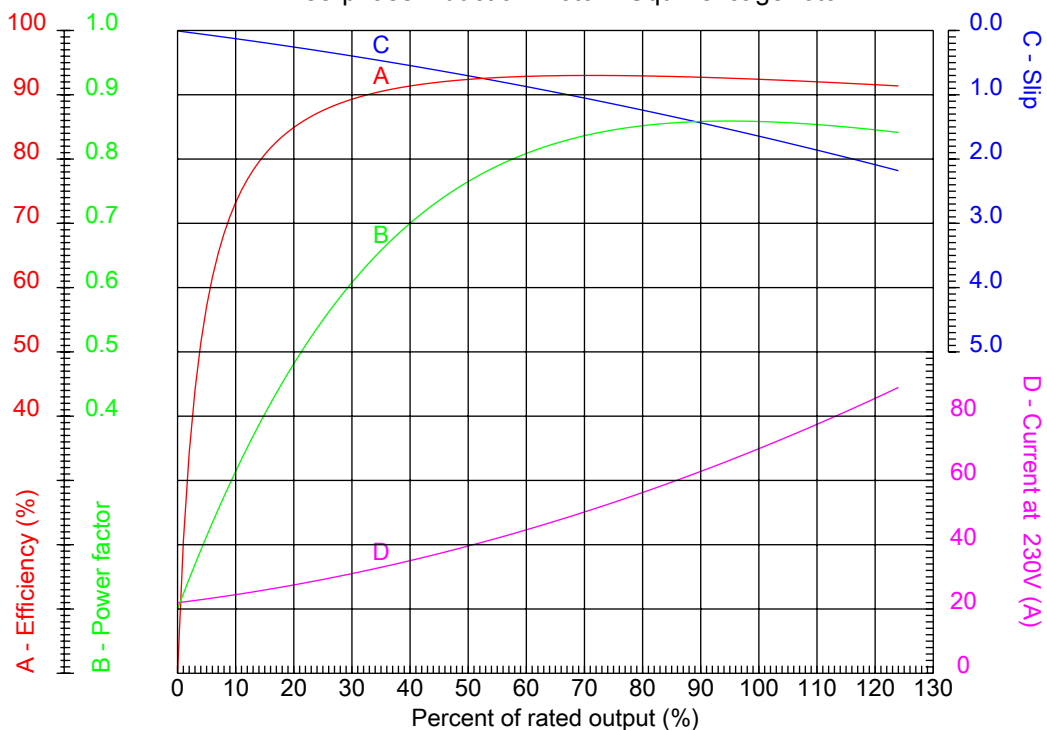
Checked



No.:

Date: 27-DEC-2012

PERFORMANCE CURVES RELATED TO RATED OUTPUT Three-phase induction motor - Squirrel cage rotor



Customer :
Product line : Close Coupled Pump : Three-Phase - "JM" Type - ODP - NEMA Premium

Frame	: 284JM	Locked rotor current (I _l /I _n)	: 6.4
Output	: 30 HP	Duty cycle	: S1
Frequency	: 60 Hz	Service factor	: 1.15
Full load speed	: 3540	Design	: B
Voltage	: 208-230/460 V	Locked rotor torque	: 220 %
Rated current	: 76.7-69.4/34.7 A	Breakdown torque	: 280 %
Insulation class	: F		

Notes:

Performed by

Checked

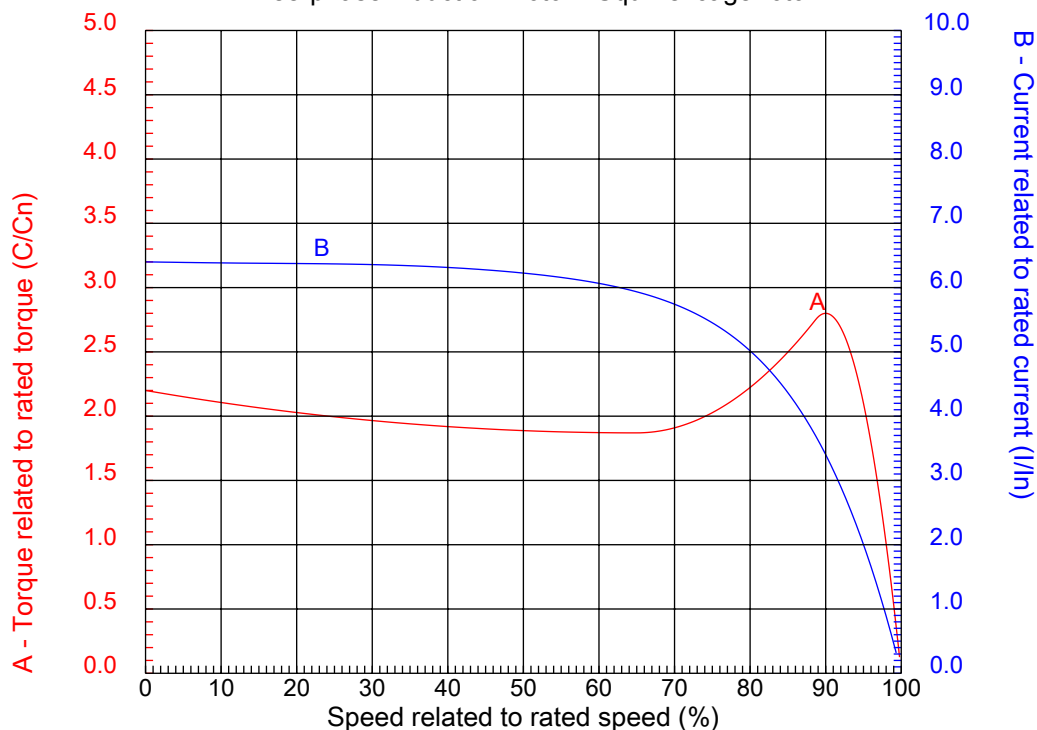


No.:

Date: 27-DEC-2012

CHARACTERISTIC CURVES RELATED TO SPEED

Three-phase induction motor - Squirrel cage rotor



Customer :
Product line : Close Coupled Pump : Three-Phase - "JM" Type - ODP - NEMA Premium

Frame	: 284JM	Locked rotor current (I _l /I _{ln})	: 6.4
Output	: 30 HP	Duty cycle	: S1
Frequency	: 60 Hz	Service factor	: 1.15
Full load speed	: 3540	Design	: B
Voltage	: 208-230/460 V	Locked rotor torque	: 220 %
Rated current	: 76.7-69.4/34.7 A	Breakdown torque	: 280 %
Insulation class	: F		

Notes:

Performed by

Checked

1 2 3 4 5 6 7 8

A

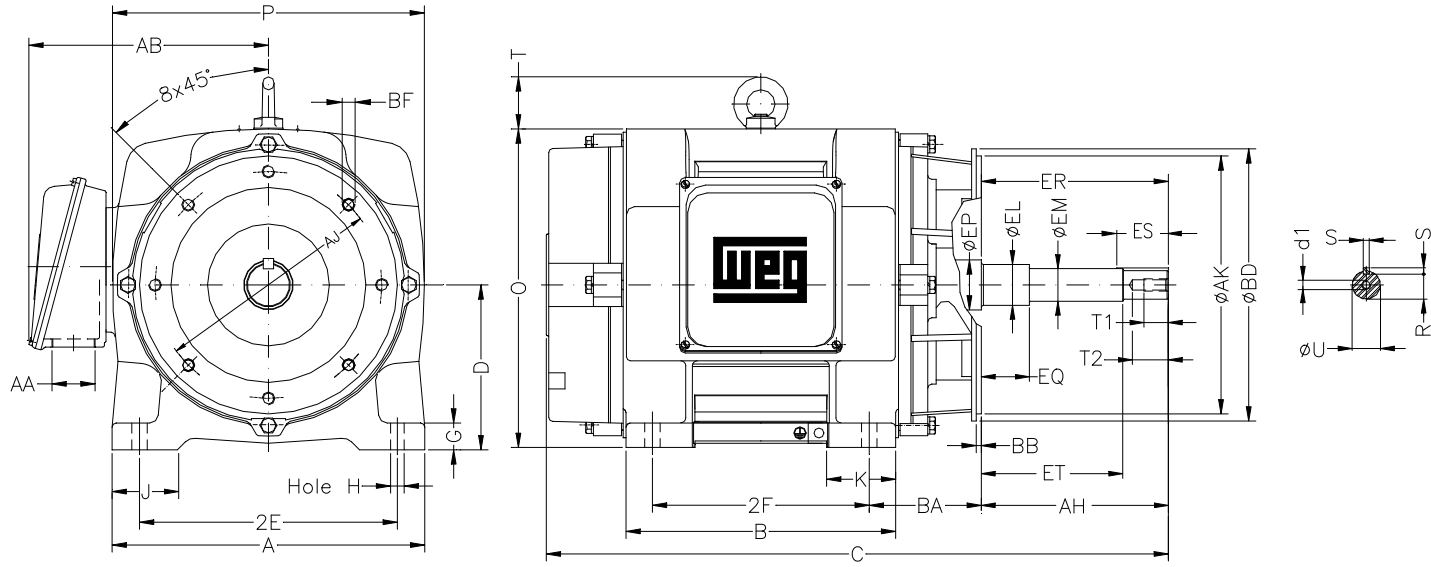
B

C

D

E

F



Notes:

2E	A	2F	B	J
11.000	13.780	9.500	11.574	3.150
BA	D	K	G	O
5.000	7.000	2.953	1.102	13.858
P	T	HD	H	AA
13.700	2.165	16.023	0.531	NPT 1 1/2"
ER	EQ	ET	U	EM
5.250	0.630	3.006	1.249	1.375
EL	S	EP	R	ES
1.750	0.250	2.163	1.110	2.480
d1	t1	t2	C	Flange
EUNC 1/2"-13	0.984	1.496	24.261	FC-279
AJ	AK	BD	BF	BB
11.000	12.500	14.000	UNC 5/8"x11	0.250
BC	AH			
	5.250			

Performed by:

Checked:

Customer:

Close Coupled Pump : Three-Phase - "JM" Type - ODP - NEMA Premium

Three-phase induction motor
Frame 284JM - IP23

27-DEC-2012

