



No.:

Date: 27-DEC-2012

Customer :

TECHNICAL PROPOSAL

Three-phase induction motor - Squirrel cage rotor

Product line : Three-Phase: W22 IEEE-841™ Petrochem Motors - NEMA Premium® Efficiency

Catalog Number : 03036ST3HIE286TS-W22

List Price : \$3,799

Notes:

Performed by:

Checked:



No.:

Date: 27-DEC-2012

DATA SHEET

Three-phase induction motor - Squirrel cage rotor

Customer :
Product line : Three-Phase: W22 IEEE-841™ Petrochem Motors - NEMA Premium® Efficiency

Frame : 286TS
Output : 30 HP
Frequency : 60 Hz
Poles : 2
Full load speed : 3535
Slip : 1.81 %
Voltage : 575 V
Rated current : 27.0 A
Locked rotor current : 170 A
Locked rotor current (I_L/I_n) : 6.3
No-load current : 6.80 A
Full load torque : 44.0 lb.ft
Locked rotor torque : 200 %
Breakdown torque : 250 %
Design : B
Insulation class : F
Temperature rise : 80 K
Locked rotor time : 15 s (hot)
Service factor : 1.25
Duty cycle : S1
Ambient temperature : -20°C - +40°C
Altitude : 1000
Degree of Protection : IP55
Approximate weight : 392 lb
Moment of inertia : 3.3671 sq.ft.lb
Noise level : 72 dB(A)

	D.E.	N.D.E.	Load	Power factor	Efficiency (%)
Bearings	6311 C3	6211 C3	100%	0.89	91.7
Regreasing interval	14000 h	17000 h	75%	0.87	91.7
Grease amount	18 g	11 g	50%	0.82	91.7

Notes:

Performed by

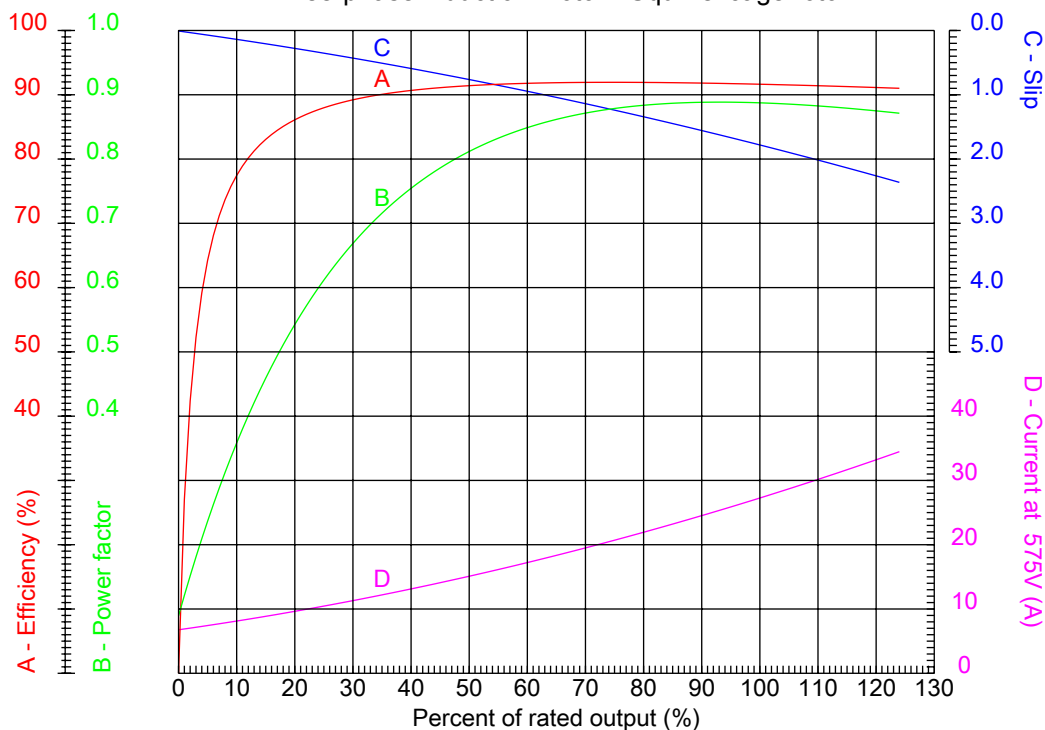
Checked



No.:

Date: 27-DEC-2012

PERFORMANCE CURVES RELATED TO RATED OUTPUT Three-phase induction motor - Squirrel cage rotor



Customer :
Product line : Three-Phase: W22 IEEE-841™ Petrochem Motors - NEMA Premium® Efficiency

Frame	: 286TS	Locked rotor current (I _l /I _n)	: 6.3
Output	: 30 HP	Duty cycle	: S1
Frequency	: 60 Hz	Service factor	: 1.25
Full load speed	: 3535	Design	: B
Voltage	: 575 V	Locked rotor torque	: 200 %
Rated current	: 27.0 A	Breakdown torque	: 250 %
Insulation class	: F		

Notes:

Performed by

Checked

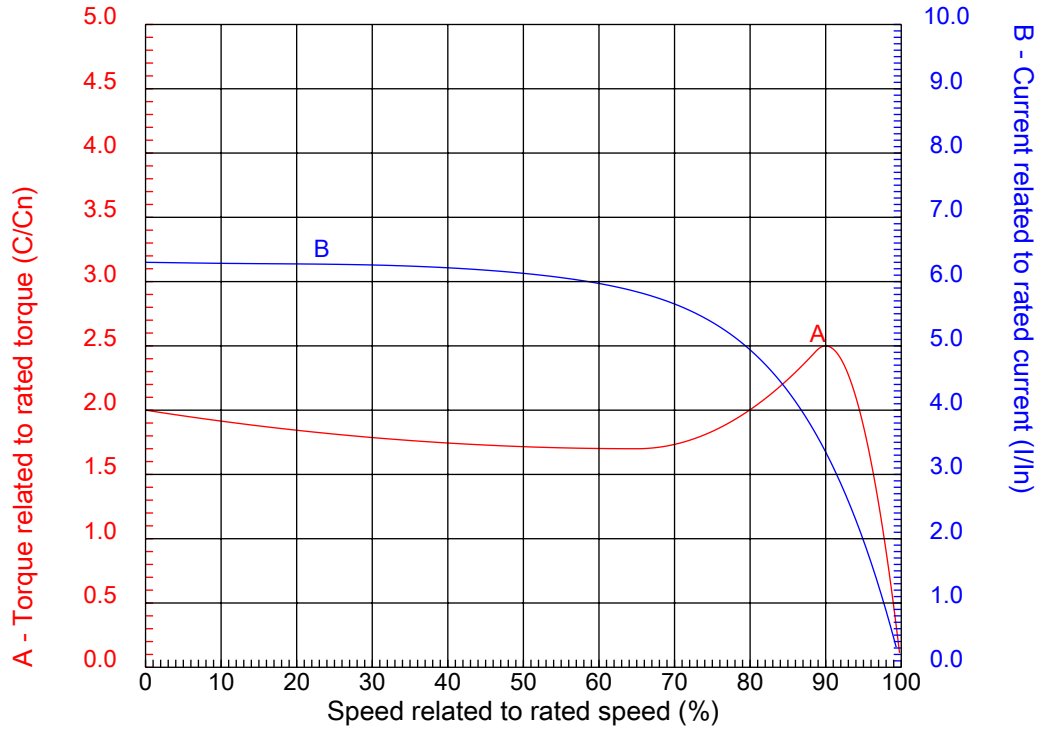


No.:

Date: 27-DEC-2012

CHARACTERISTIC CURVES RELATED TO SPEED

Three-phase induction motor - Squirrel cage rotor



Customer :
Product line : Three-Phase: W22 IEEE-841™ Petrochem Motors - NEMA Premium® Efficiency

Frame	: 286TS	Locked rotor current (I _l /I _n)	: 6.3
Output	: 30 HP	Duty cycle	: S1
Frequency	: 60 Hz	Service factor	: 1.25
Full load speed	: 3535	Design	: B
Voltage	: 575 V	Locked rotor torque	: 200 %
Rated current	: 27.0 A	Breakdown torque	: 250 %
Insulation class	: F		

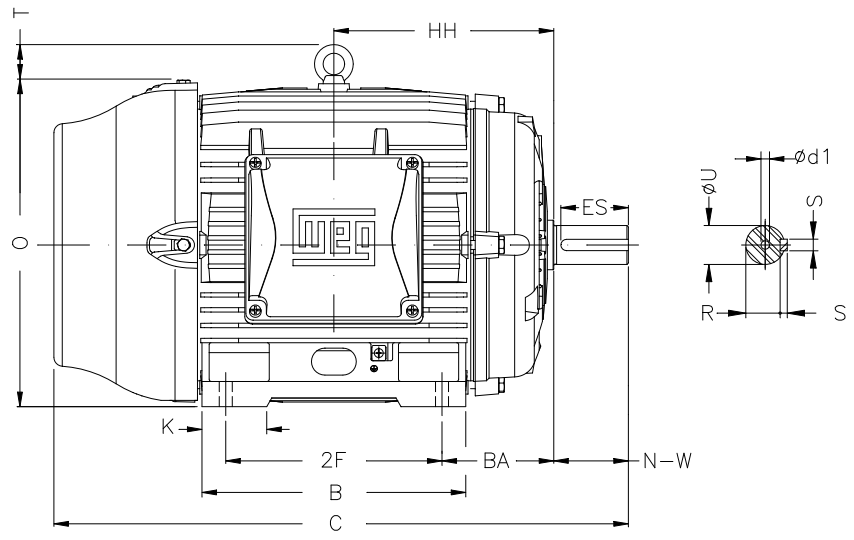
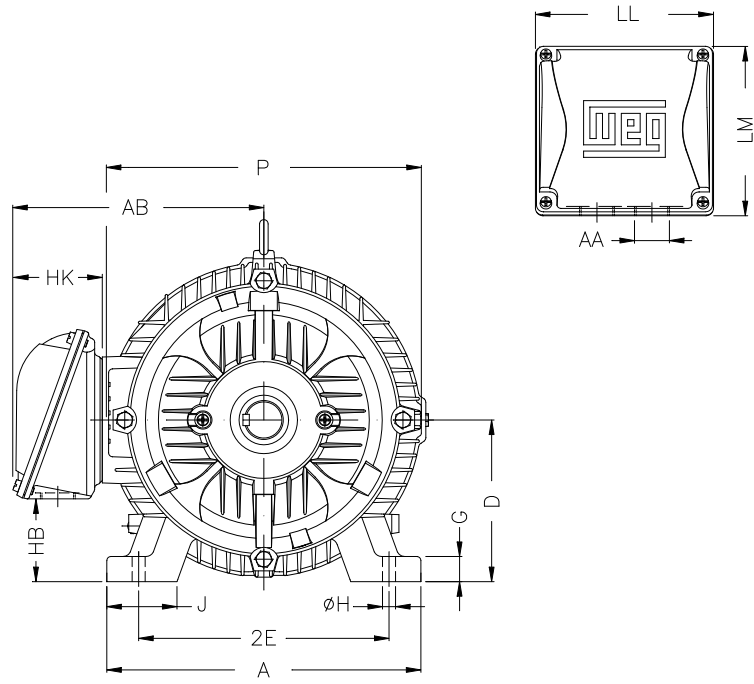
Notes:

Performed by

Checked

1 2 3 4 5 6 7 8

A
B
C
D
E
F



2E	J	A	P	AB
11.000	3.110	13.780	14.173	10.984
2F	K	B	BA	U
11.000	2.874	13.071	4.750	1.625
N-W	ES	S	R	depth
3.250	1.968	0.375	1.406	0.375
D	G	HB	O	T
7.000	1.023	3.535	14.067	2.087
HD	HF	HH	HK	H
16.154	7.000	10.250	3.937	0.531
C	LL	LM	AA	d1
26.557	7.795	7.402	NPT 1 1/2"	A 4
d2	Flange	AJ	AK	BD
A 4	FD-317	12.500	11.000	14.00
BF	BB			
0.828	0.203			

Notes:

Performed by:

Checked:

Customer:

Three-Phase: W22 IEEE-841™ Petrochem Motors - NEMA Premium® Efficiency

Three-phase induction motor
Frame 286TS - IP55

27-DEC-2012

