



No.:

Date: 27-DEC-2012

Customer :

TECHNICAL PROPOSAL

Three-phase induction motor - Squirrel cage rotor

Product line : Three-Phase : Explosion Proof - NEMA Premium

Catalog Number : 03036XT3H286TS

List Price : \$4,262

Notes:

Performed by:

Checked:



No.:

Date: 27-DEC-2012

DATA SHEET

Three-phase induction motor - Squirrel cage rotor

Customer :
Product line : Three-Phase : Explosion Proof - NEMA Premium

Frame : 286TS
Output : 30 HP
Frequency : 60 Hz
Poles : 2
Full load speed : 3545
Slip : 1.53 %
Voltage : 575 V
Rated current : 27.0 A
Locked rotor current : 208 A
Locked rotor current (I_L/I_n) : 7.7
No-load current : 7.84 A
Full load torque : 43.8 lb.ft
Locked rotor torque : 260 %
Breakdown torque : 300 %
Design : B
Insulation class : F
Temperature rise : 80 K
Locked rotor time : 14 s (hot)
Service factor : 1.15
Duty cycle : S1
Ambient temperature : -20°C - +40°C
Altitude : 1000
Degree of Protection : IP54
Approximate weight : 529 lb
Moment of inertia : 3.0785 sq.ft.lb
Noise level : 75 dB(A)

	D.E.	N.D.E.	Load	Power factor	Efficiency (%)
Bearings	6311 C3	6211 C3	100%	0.88	93.0
Regreasing interval	11517 h	14226 h	75%	0.86	93.0
Grease amount	18 g	11 g	50%	0.78	92.4

Notes:

Performed by

Checked

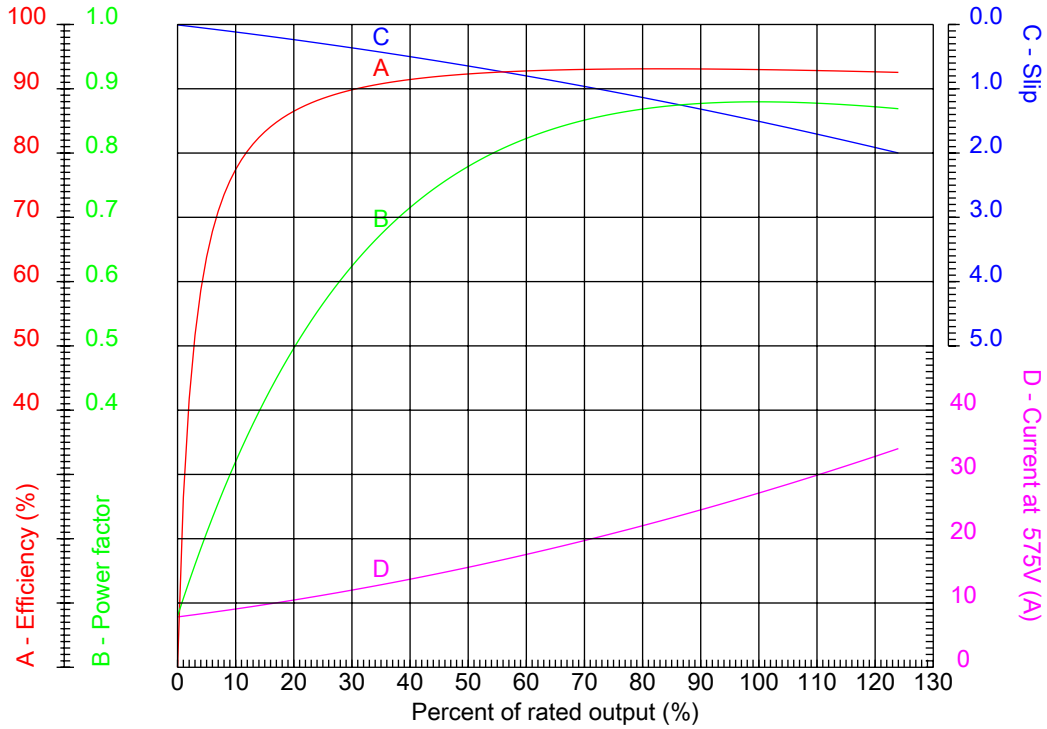


No.:

Date: 27-DEC-2012

PERFORMANCE CURVES RELATED TO RATED OUTPUT

Three-phase induction motor - Squirrel cage rotor



Customer :
Product line : Three-Phase : Explosion Proof - NEMA Premium

Frame : 286TS	Locked rotor current (I _L /I _n) : 7.7
Output : 30 HP	Duty cycle : S1
Frequency : 60 Hz	Service factor : 1.15
Full load speed : 3545	Design : B
Voltage : 575 V	Locked rotor torque : 260 %
Rated current : 27.0 A	Breakdown torque : 300 %
Insulation class : F	

Notes:

Performed by

Checked

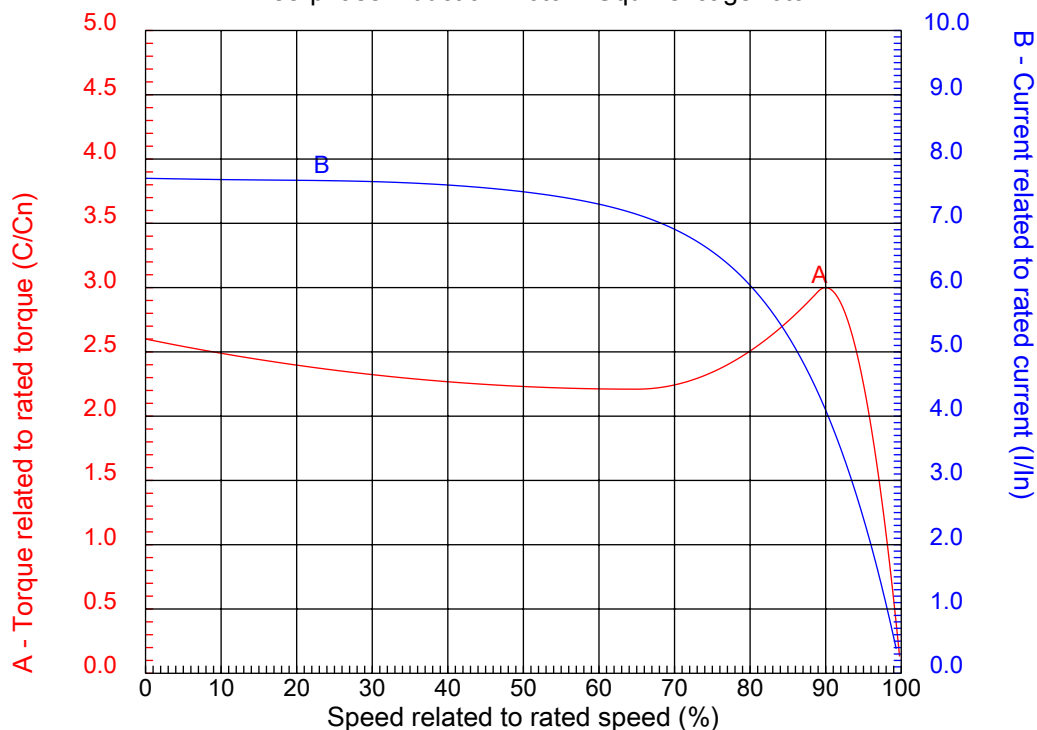


No.:

Date: 27-DEC-2012

CHARACTERISTIC CURVES RELATED TO SPEED

Three-phase induction motor - Squirrel cage rotor



Customer :
Product line : Three-Phase : Explosion Proof - NEMA Premium

Frame	: 286TS	Locked rotor current (I _l /I _n)	: 7.7
Output	: 30 HP	Duty cycle	: S1
Frequency	: 60 Hz	Service factor	: 1.15
Full load speed	: 3545	Design	: B
Voltage	: 575 V	Locked rotor torque	: 260 %
Rated current	: 27.0 A	Breakdown torque	: 300 %
Insulation class	: F		

Notes:

Performed by

Checked

1 2 3 4 5 6 7 8

A

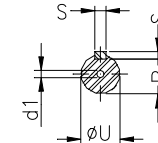
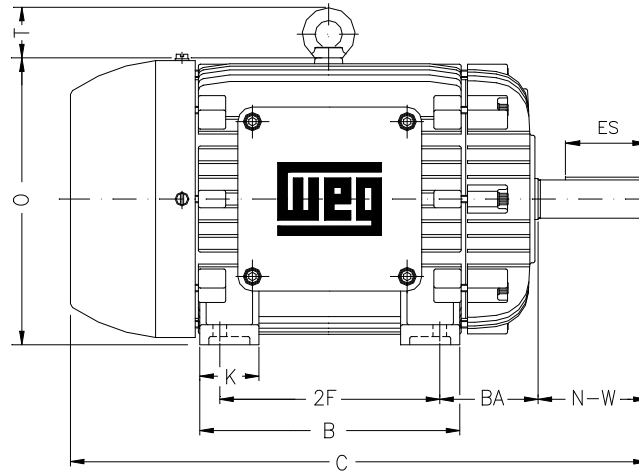
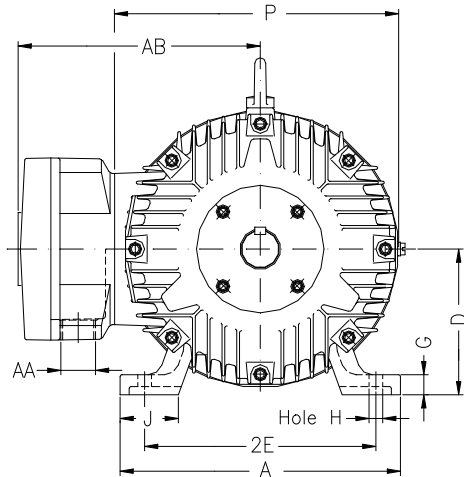
B

C

D

E

F



Notes:

Performed by:

Checked:

Customer:

Three-Phase : Explosion Proof - NEMA Premium

Three-phase induction motor
Frame 286TS - IP54

27-DEC-2012



2E 11.000	A 13.780	2F 11.000	B 13.071	BA 4.750
J 3.150	K 2.953	P 14.094	ES 2.480	depth 0.375
S 0.375	N-W 3.250	U 1.625	R 1.406	AB 11.850
D 7.000	G 1.024	O 14.362	HD 16.803	H 0.531
C 26.531	AA NPT 1 1/2"	d1 A 4	d2 A 4	T 2.441
Flange FD-317	AJ 12.500	AK 11.000	BD 14.000	BF 0.828
BB 0.203				