



No.:

Date: 27-DEC-2012

Customer :

TECHNICAL PROPOSAL

Three-phase induction motor - Squirrel cage rotor

Product line : Three-Phase: W22 IEEE-841™ Petrochem Motors - NEMA Premium® Efficiency

Catalog Number : 04009ST3QIE365T-W22

List Price : \$14,909

Notes:

Performed by:

Checked:



No.:

Date: 27-DEC-2012

## DATA SHEET

### Three-phase induction motor - Squirrel cage rotor

Customer :  
Product line : Three-Phase: W22 IEEE-841™ Petrochem Motors - NEMA Premium® Efficiency

Frame : 364/5T  
Output : 40 HP  
Frequency : 60 Hz  
Poles : 8  
Full load speed : 880  
Slip : 2.22 %  
Voltage : 460 V  
Rated current : 50.0 A  
Locked rotor current : 300 A  
Locked rotor current (I<sub>L</sub>/I<sub>n</sub>) : 6.0  
No-load current : 22.0 A  
Full load torque : 235 lb.ft  
Locked rotor torque : 170 %  
Breakdown torque : 230 %  
Design : B  
Insulation class : F  
Temperature rise : 80 K  
Locked rotor time : 18 s (hot)  
Service factor : 1.25  
Duty cycle : S1  
Ambient temperature : -20°C - +40°C  
Altitude : 1000  
Degree of Protection : IP55  
Approximate weight : 875 lb  
Moment of inertia : 29.040 sq.ft.lb  
Noise level : 60 dB(A)

	D.E.	N.D.E.	Load	Power factor	Efficiency (%)
Bearings	6314 C3	6314 C3	100%	0.81	92.4
Regreasing interval	20000 h	20000 h	75%	0.76	93.0
Grease amount	27 g	27 g	50%	0.66	92.4

Notes:

Performed by

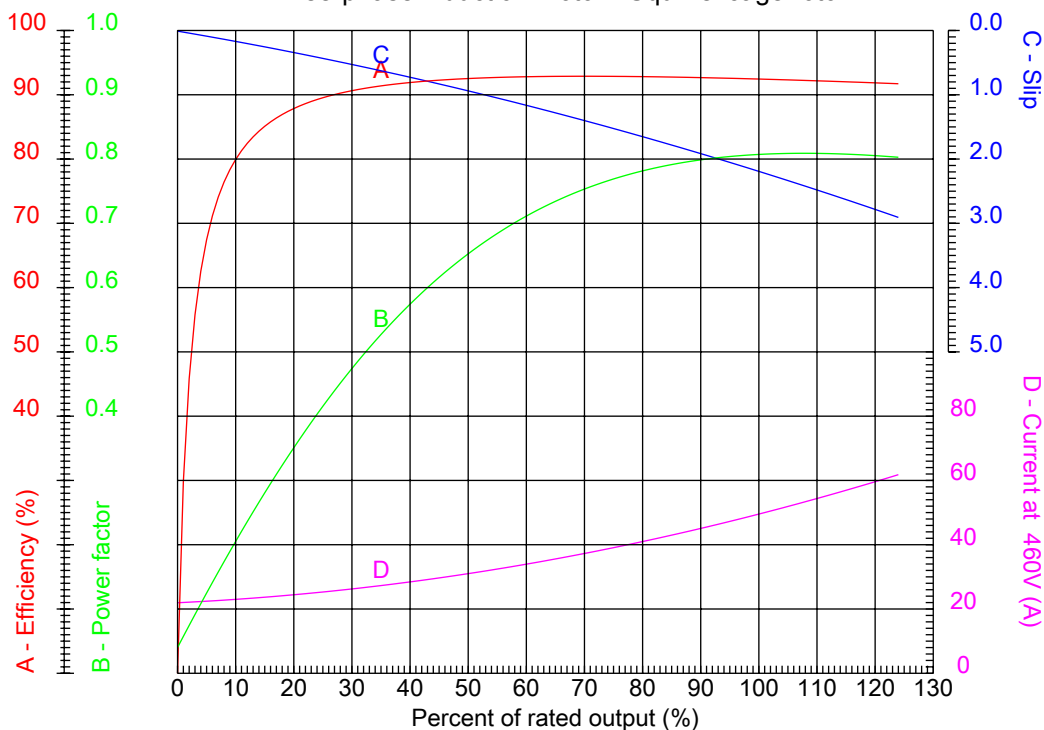
Checked



No.:

Date: 27-DEC-2012

### PERFORMANCE CURVES RELATED TO RATED OUTPUT Three-phase induction motor - Squirrel cage rotor



Customer :  
Product line : Three-Phase: W22 IEEE-841™ Petrochem Motors - NEMA Premium® Efficiency

Frame	: 364/5T	Locked rotor current (I <sub>L</sub> /I <sub>n</sub> )	: 6.0
Output	: 40 HP	Duty cycle	: S1
Frequency	: 60 Hz	Service factor	: 1.25
Full load speed	: 880	Design	: B
Voltage	: 460 V	Locked rotor torque	: 170 %
Rated current	: 50.0 A	Breakdown torque	: 230 %
Insulation class	: F		

Notes:

Performed by

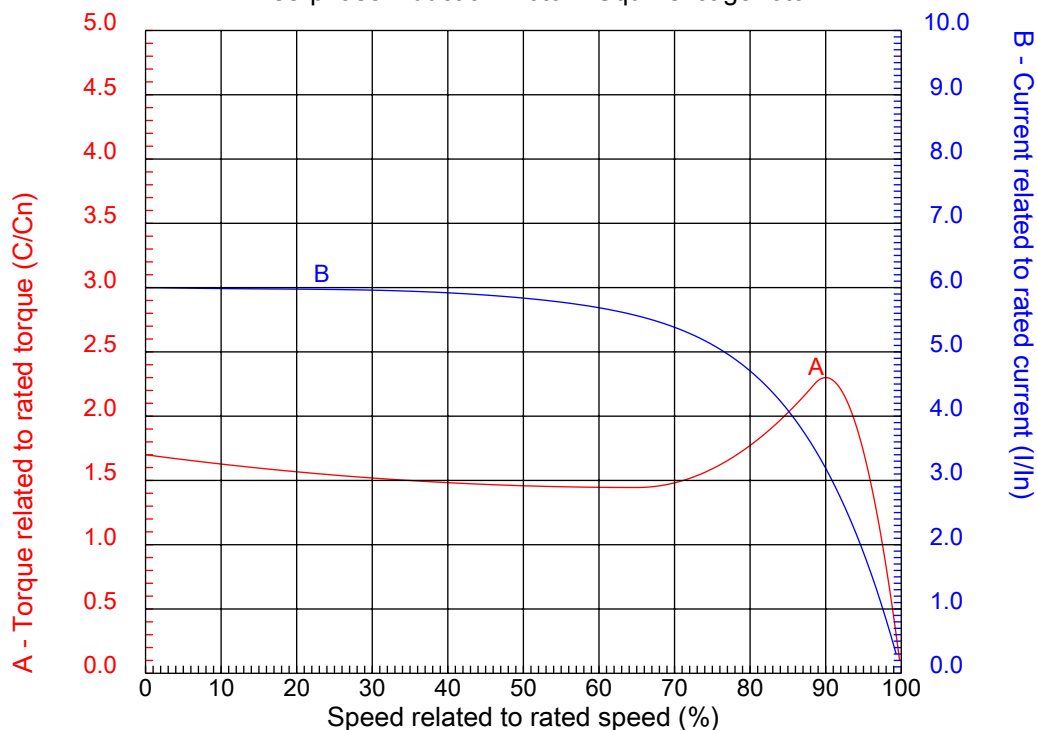
Checked



No.:

Date: 27-DEC-2012

### CHARACTERISTIC CURVES RELATED TO SPEED Three-phase induction motor - Squirrel cage rotor



Customer :  
Product line : Three-Phase: W22 IEEE-841™ Petrochem Motors - NEMA Premium® Efficiency

Frame	: 364/5T	Locked rotor current (I <sub>l</sub> /I <sub>n</sub> )	: 6.0
Output	: 40 HP	Duty cycle	: S1
Frequency	: 60 Hz	Service factor	: 1.25
Full load speed	: 880	Design	: B
Voltage	: 460 V	Locked rotor torque	: 170 %
Rated current	: 50.0 A	Breakdown torque	: 230 %
Insulation class	: F		

Notes:

Performed by

Checked

1 2 3 4 5 6 7 8

A

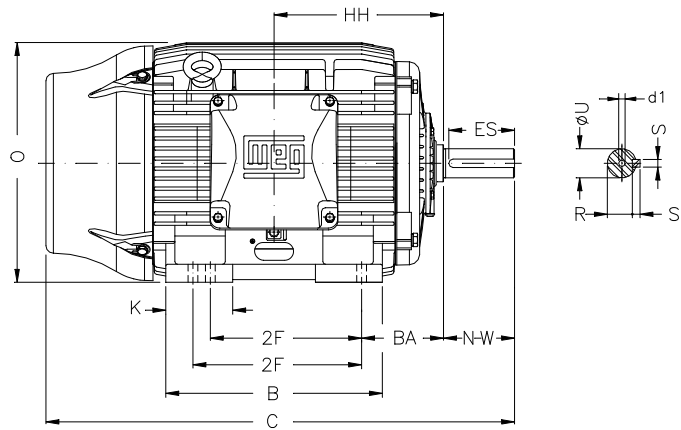
B

C

D

E

F



Notes:

2E	J	A	P	AB
14.016	3.150	17.165	17.914	16.023
2F	K	B	BA	U
11.260/12.244	4.921	15.760	5.875	2.375
N-W	ES	S	R	depth
5.874	4.330	0.625	2.019	0.625
D	G	HB	O	T
9.000	1.480	2.992	17.957	3.578
HD	HH	HK	H	C
21.535	12.362	6.023	0.660	34.251
LL	LM	AA	d1	d2
10.590	11.181	NPT 3"	DUNC 3/4"-10	DUNC 3/4"-10
Flange	AJ	AK	BD	BF
FD-406	16.000	14.000	17.71	0.828
BB				
0.203				

Performed by:

Checked:

Customer:

Three-Phase: W22 IEEE-841™ Petrochem Motors - NEMA Premium® Efficiency

Three-phase induction motor  
Frame 364/5T - IP55

27-DEC-2012

