



No.:

Date: 27-DEC-2012

Customer :

TECHNICAL PROPOSAL

Three-phase induction motor - Squirrel cage rotor

Product line : Close Coupled Pump: Three-Phase - W22 "JM" Type - TEFC - NEMA Premium

Catalog Number : 04036ET3E324JM-W22

List Price : \$5,534

Notes:

Performed by:

Checked:



No.:

Date: 27-DEC-2012

DATA SHEET

Three-phase induction motor - Squirrel cage rotor

Customer :
Product line : Close Coupled Pump: Three-Phase - W22 "JM" Type - TEFC - NEMA Premium

Frame : 324JM
Output : 40 HP
Frequency : 60 Hz
Poles : 2
Full load speed : 3555
Slip : 1.25 %
Voltage : 208-230/460 V
Rated current : 101-91.6/45.8 A
Locked rotor current : 586/293 A
Locked rotor current (I_L/I_n) : 6.4
No-load current : 24.0/12.0 A
Full load torque : 58.3 lb.ft
Locked rotor torque : 230 %
Breakdown torque : 240 %
Design : B
Insulation class : F
Temperature rise : 80 K
Locked rotor time : 22 s (hot)
Service factor : 1.25
Duty cycle : S1
Ambient temperature : -20°C - +40°C
Altitude : 1000
Degree of Protection : IP55
Approximate weight : 547 lb
Moment of inertia : 4.8955 sq.ft.lb
Noise level : 78 dB(A)

	D.E.	N.D.E.	Load	Power factor	Efficiency (%)
Bearings	6312 C3	6212 C3	100%	0.89	92.4
Regreasing interval	12000 h	15000 h	75%	0.87	92.4
Grease amount	21 g	13 g	50%	0.82	91.7

Notes:

Performed by

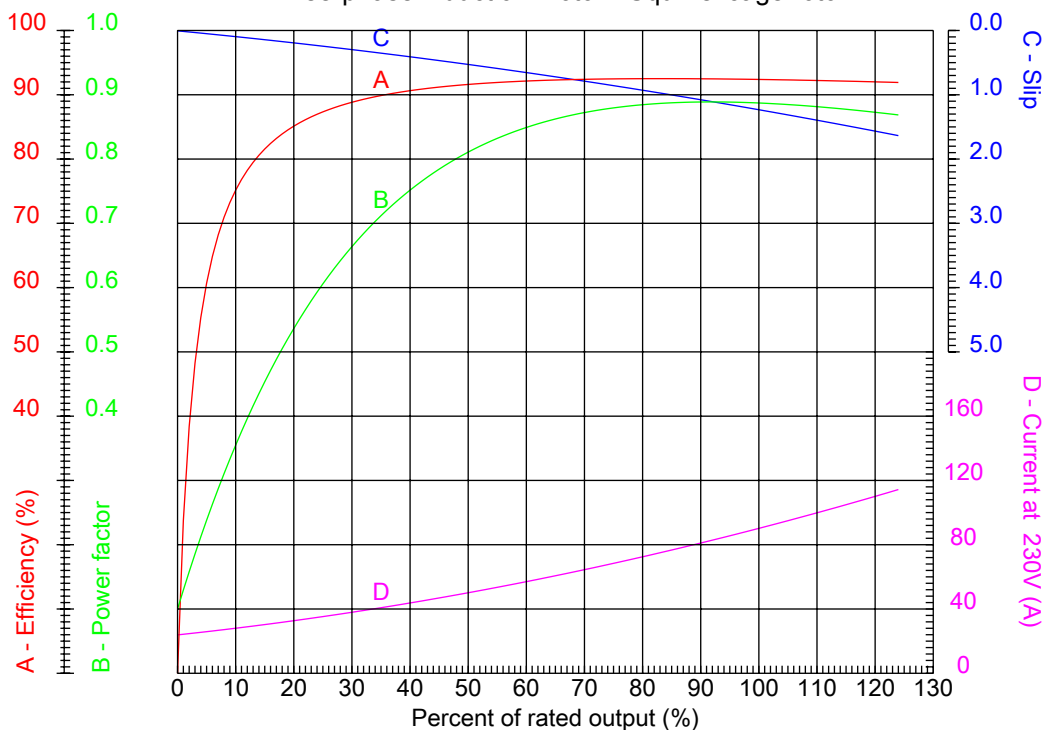
Checked



No.:

Date: 27-DEC-2012

PERFORMANCE CURVES RELATED TO RATED OUTPUT
 Three-phase induction motor - Squirrel cage rotor



Customer :
 Product line : Close Coupled Pump: Three-Phase - W22 "JM" Type - TEFC - NEMA Premium

Frame	: 324JM	Locked rotor current (I _l /I _n)	: 6.4
Output	: 40 HP	Duty cycle	: S1
Frequency	: 60 Hz	Service factor	: 1.25
Full load speed	: 3555	Design	: B
Voltage	: 208-230/460 V	Locked rotor torque	: 230 %
Rated current	: 101-91.6/45.8 A	Breakdown torque	: 240 %
Insulation class	: F		

Notes:

Performed by

Checked

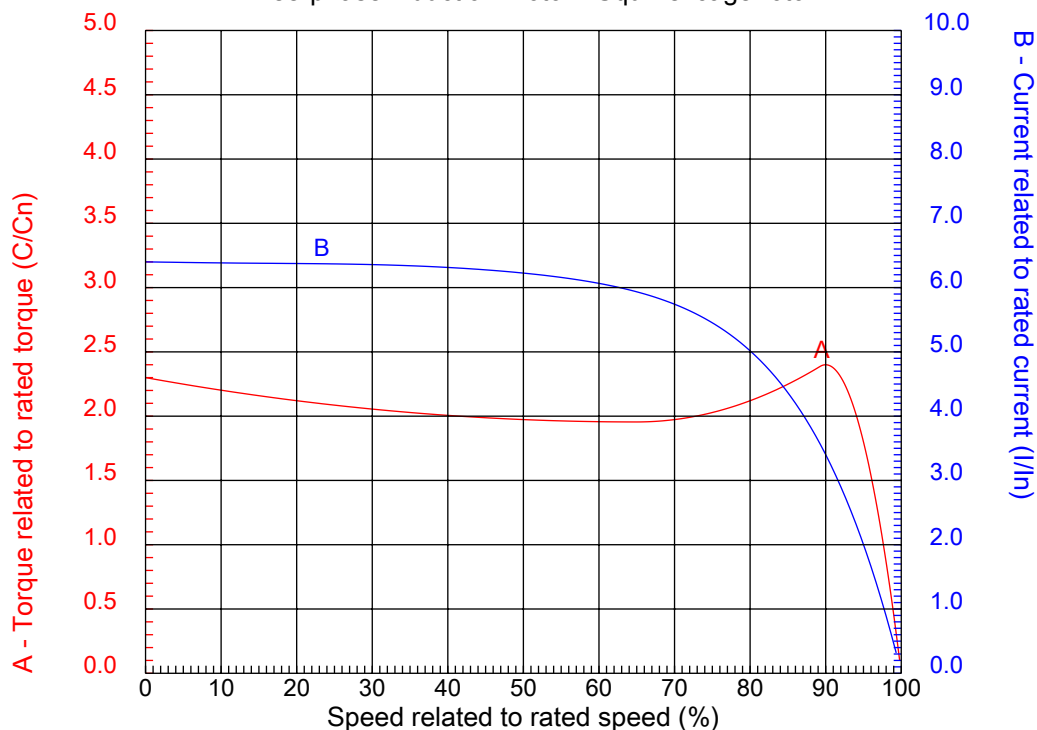


No.:

Date: 27-DEC-2012

CHARACTERISTIC CURVES RELATED TO SPEED

Three-phase induction motor - Squirrel cage rotor



Customer :
Product line : Close Coupled Pump: Three-Phase - W22 "JM" Type - TEFC - NEMA Premium

Frame	: 324JM	Locked rotor current (I _l /I _n)	: 6.4
Output	: 40 HP	Duty cycle	: S1
Frequency	: 60 Hz	Service factor	: 1.25
Full load speed	: 3555	Design	: B
Voltage	: 208-230/460 V	Locked rotor torque	: 230 %
Rated current	: 101-91.6/45.8 A	Breakdown torque	: 240 %
Insulation class	: F		

Notes:

Performed by

Checked

1 2 3 4 5 6 7 8

A

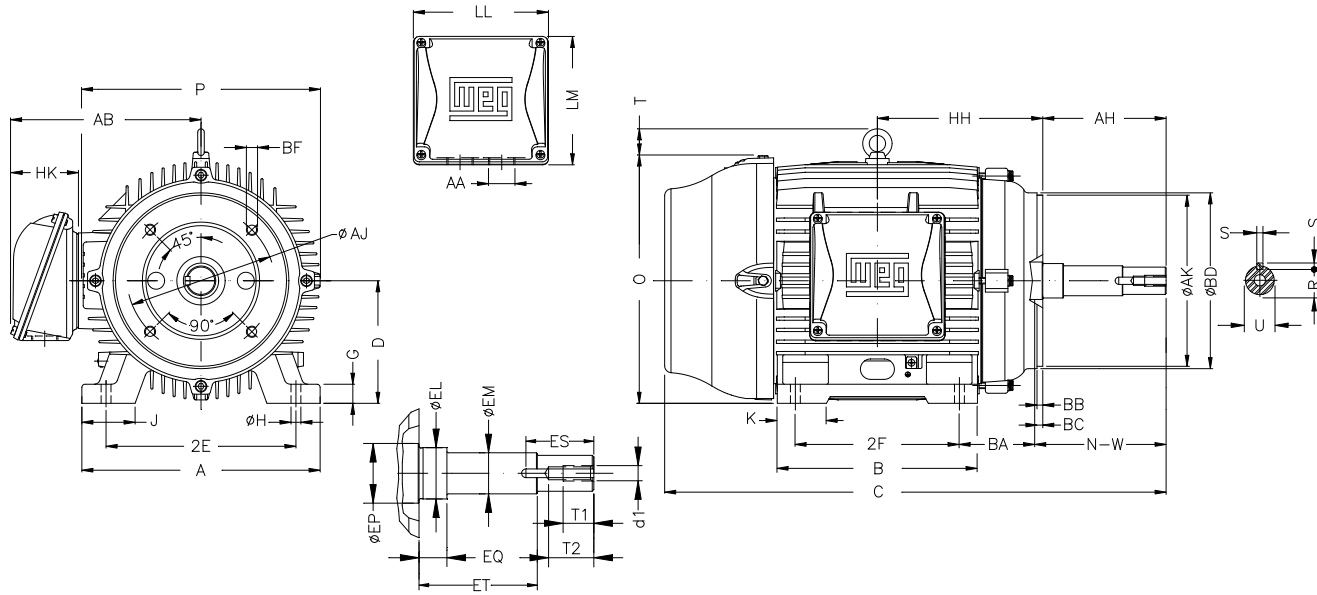
B

C

D

E

F



Notes:

Performed by:

Checked:

Customer:

Close Coupled Pump: Three-Phase - W22 "JM" Type - TEFC - NEMA Premium

Three-phase induction motor
Frame 324JM - IP55

27-DEC-2012



2E 12.500	J 3.189	A 15.157	P 15.827	AB 12.480
2F 10.500	K 3.189	B 13.071	BA 5.250	D 8.000
G 1.300	O 15.953	T 2.441	HD 18.394	H 0.657
AA NPT 2"	ER 5.250	EQ 0.630	ET 3.006	U 1.249
EM 1.375	EL 1.750	EP 2.360	ES 2.480	t1 0.984
t2 1.496	C 28.149	Flange FC-279	AJ 11.000	AK 12.500
BD 13.593	BF UNC 5/8"x11	BB 0.248	BC ---	AH 5.250