



No.:

Date: 27-DEC-2012

Customer :

TECHNICAL PROPOSAL

Three-phase induction motor - Squirrel cage rotor

Product line : Three-Phase: W22 IEEE-841™ Petrochem Motors - NEMA Premium® Efficiency

Catalog Number : 04036ST3QIE324TS-W22

List Price : \$5,306

Notes:

Performed by:

Checked:



No.:

Date: 27-DEC-2012

DATA SHEET

Three-phase induction motor - Squirrel cage rotor

Customer :
Product line : Three-Phase: W22 IEEE-841™ Petrochem Motors - NEMA Premium® Efficiency

Frame : 324TS
Output : 40 HP
Frequency : 60 Hz
Poles : 2
Full load speed : 3555
Slip : 1.25 %
Voltage : 460 V
Rated current : 45.8 A
Locked rotor current : 293 A
Locked rotor current (I_L/I_n) : 6.4
No-load current : 12.0 A
Full load torque : 58.3 lb.ft
Locked rotor torque : 230 %
Breakdown torque : 240 %
Design : B
Insulation class : F
Temperature rise : 80 K
Locked rotor time : 22 s (hot)
Service factor : 1.25
Duty cycle : S1
Ambient temperature : -20°C - +40°C
Altitude : 1000
Degree of Protection : IP55
Approximate weight : 547 lb
Moment of inertia : 4.8955 sq.ft.lb
Noise level : 78 dB(A)

	D.E.	N.D.E.	Load	Power factor	Efficiency (%)
Bearings	6312 C3	6212 C3	100%	0.89	92.4
Regreasing interval	12000 h	15000 h	75%	0.87	92.4
Grease amount	21 g	13 g	50%	0.82	91.7

Notes:

Performed by

Checked

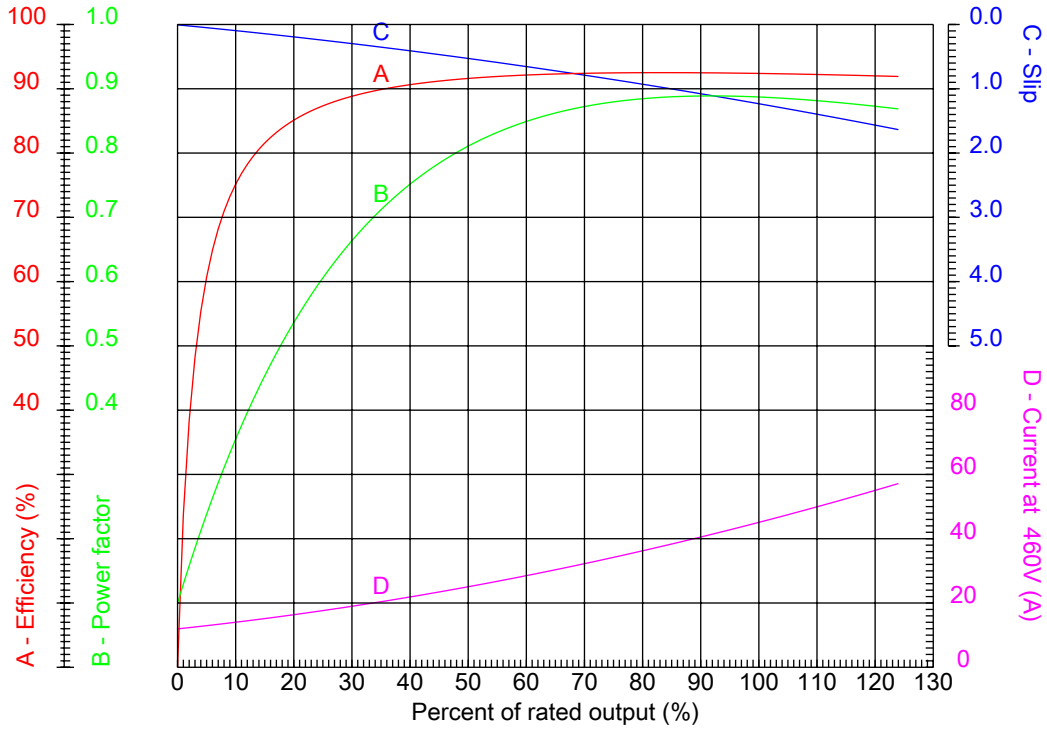


No.:

Date: 27-DEC-2012

PERFORMANCE CURVES RELATED TO RATED OUTPUT

Three-phase induction motor - Squirrel cage rotor



Customer :
Product line : Three-Phase: W22 IEEE-841™ Petrochem Motors - NEMA Premium® Efficiency

Frame	: 324TS	Locked rotor current (I _l /I _n)	: 6.4
Output	: 40 HP	Duty cycle	: S1
Frequency	: 60 Hz	Service factor	: 1.25
Full load speed	: 3555	Design	: B
Voltage	: 460 V	Locked rotor torque	: 230 %
Rated current	: 45.8 A	Breakdown torque	: 240 %
Insulation class	: F		

Notes:

Performed by

Checked

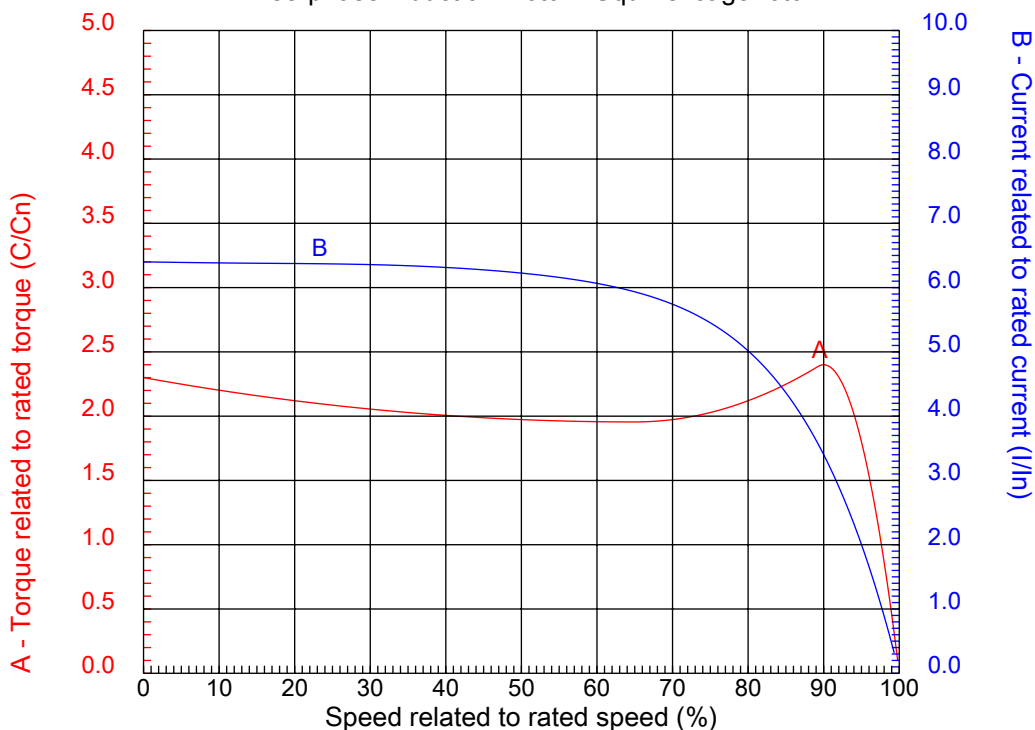


No.:

Date: 27-DEC-2012

CHARACTERISTIC CURVES RELATED TO SPEED

Three-phase induction motor - Squirrel cage rotor



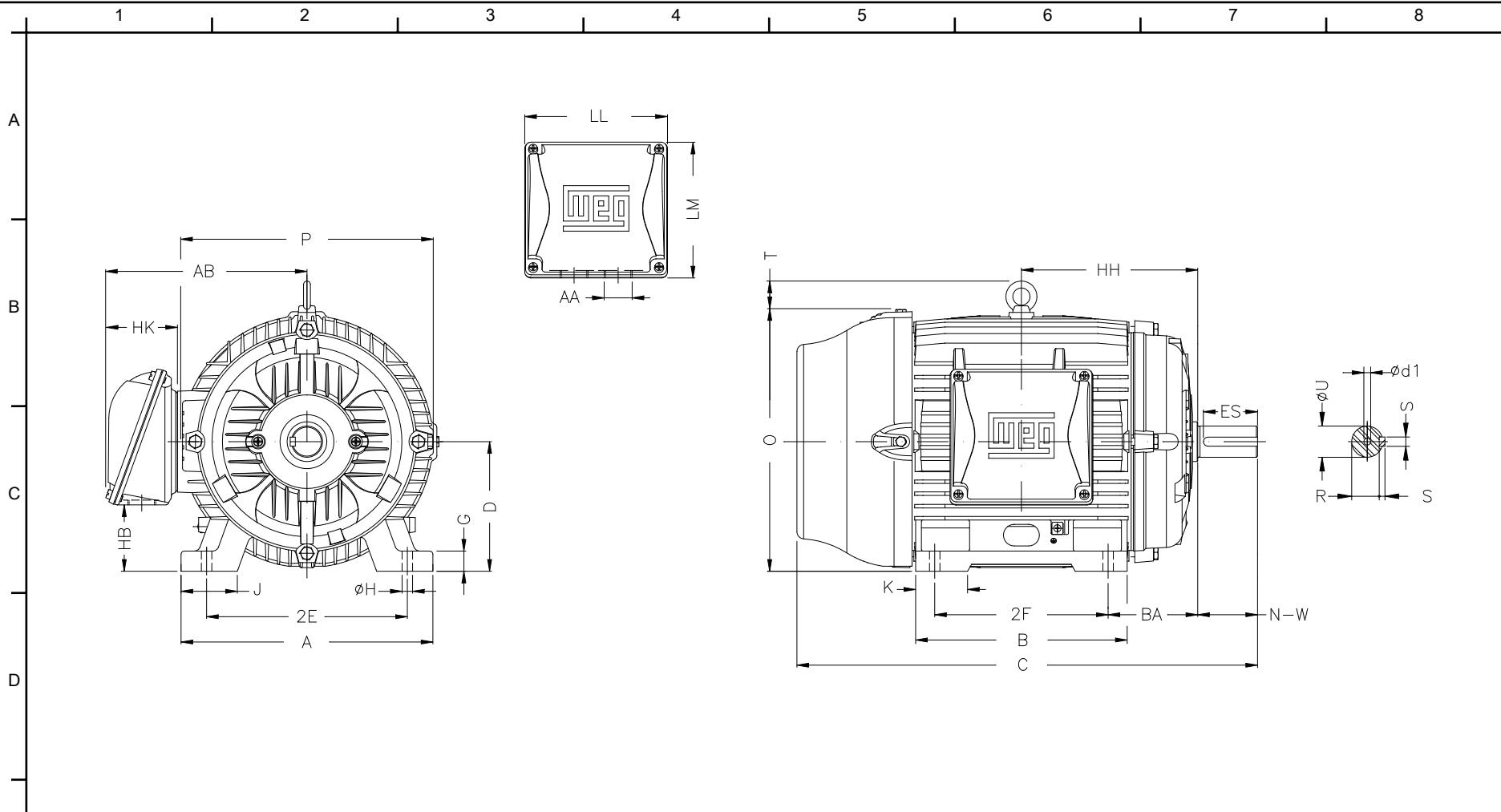
Customer :
Product line : Three-Phase: W22 IEEE-841™ Petrochem Motors - NEMA Premium® Efficiency

Frame	: 324TS	Locked rotor current (I _l /I _n)	: 6.4
Output	: 40 HP	Duty cycle	: S1
Frequency	: 60 Hz	Service factor	: 1.25
Full load speed	: 3555	Design	: B
Voltage	: 460 V	Locked rotor torque	: 230 %
Rated current	: 45.8 A	Breakdown torque	: 240 %
Insulation class	: F		

Notes:

Performed by

Checked



E	2E 12.500	J 3.189	A 15.157	P 15.827	AB 12.480
	2F 10.500	K 3.189	B 13.071	BA 5.250	U 1.875
	N-W 3.750	ES 2.205	S 0.500	R 1.594	depth 0.500
	D 8.000	G 1.300	HB 4.811	O 15.953	T 2.441
	HD 18.394	HF 8.708	HH 10.500	HK 4.645	H 0.657
F	C 28.120	LL 8.976	LM 8.543	AA NPT 2"	d1 A 4
	d2 A 4	Flange FD-406	AJ 16.000	AK 14.000	BD 18.00
	BF 0.828	BB 0.203			

Notes:

Performed by:

Checked:

Customer:

Three-Phase: W22 IEEE-841™ Petrochem Motors - NEMA Premium® Efficiency

Three-phase induction motor
Frame 324TS - IP55

27-DEC-2012

