



No.:

Date: 27-DEC-2012

Customer :

TECHNICAL PROPOSAL

Three-phase induction motor - Squirrel cage rotor

Product line : Three-Phase : Explosion Proof - NEMA Premium

Catalog Number : 04036XT3E324TS

List Price : \$5,583

Notes:

Performed by:

Checked:



No.:

Date: 27-DEC-2012

DATA SHEET

Three-phase induction motor - Squirrel cage rotor

Customer :
 Product line : Three-Phase : Explosion Proof - NEMA Premium

Frame : 324TS
 Output : 40 HP
 Frequency : 60 Hz
 Poles : 2
 Full load speed : 3555
 Slip : 1.25 %
 Voltage : 208-230/460 V
 Rated current : 101-91.5/45.8 A
 Locked rotor current : 604/302 A
 Locked rotor current (I_L/I_n) : 6.6
 No-load current : 23.5/11.8 A
 Full load torque : 58.3 lb.ft
 Locked rotor torque : 270 %
 Breakdown torque : 270 %
 Design : B
 Insulation class : F
 Temperature rise : 80 K
 Locked rotor time : 43 s (hot)
 Service factor : 1.15
 Duty cycle : S1
 Ambient temperature : -20°C - +40°C
 Altitude : 1000
 Degree of Protection : IP54
 Approximate weight : 639 lb
 Moment of inertia : 4.6160 sq.ft.lb
 Noise level : 81 dB(A)

	D.E.	N.D.E.	Load	Power factor	Efficiency (%)
Bearings	6312 C3	6212 Z-C3	100%	0.88	93.6
Regreasing interval	9829 h	12143 h	75%	0.86	93.6
Grease amount	21 g	13 g	50%	0.80	92.4

Notes:

Performed by

Checked

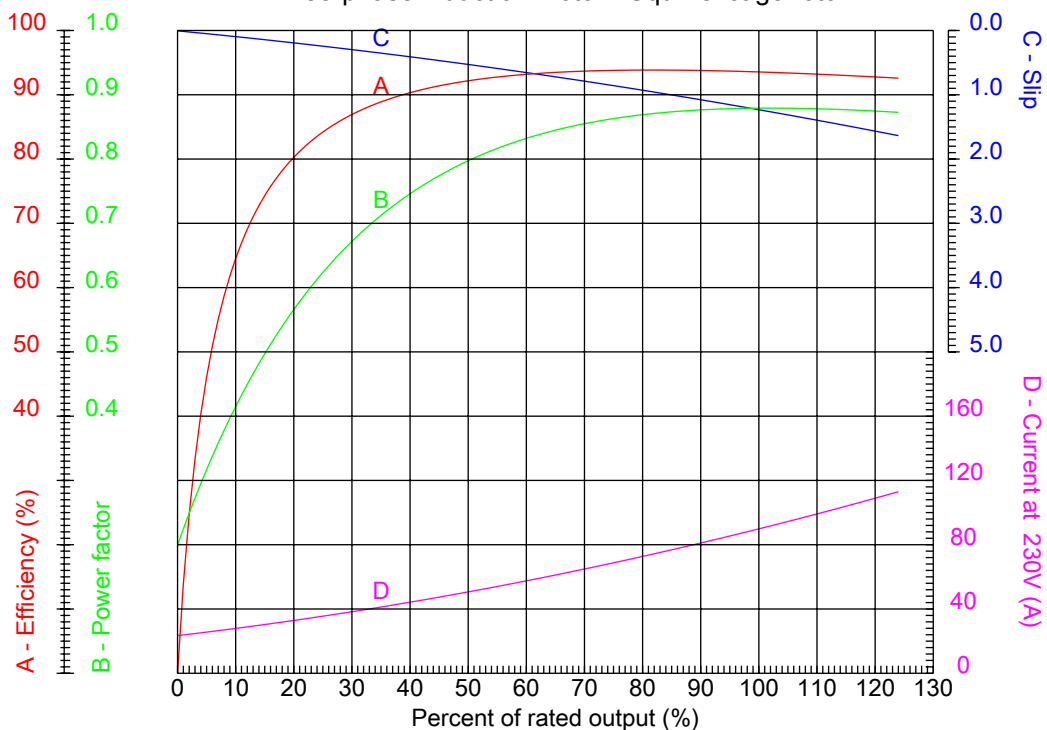


No.:

Date: 27-DEC-2012

PERFORMANCE CURVES RELATED TO RATED OUTPUT

Three-phase induction motor - Squirrel cage rotor



Customer :
Product line : Three-Phase : Explosion Proof - NEMA Premium

Frame	: 324TS	Locked rotor current (I _l /I _n)	: 6.6
Output	: 40 HP	Duty cycle	: S1
Frequency	: 60 Hz	Service factor	: 1.15
Full load speed	: 3555	Design	: B
Voltage	: 208-230/460 V	Locked rotor torque	: 270 %
Rated current	: 101-91.5/45.8 A	Breakdown torque	: 270 %
Insulation class	: F		

Notes:

Performed by

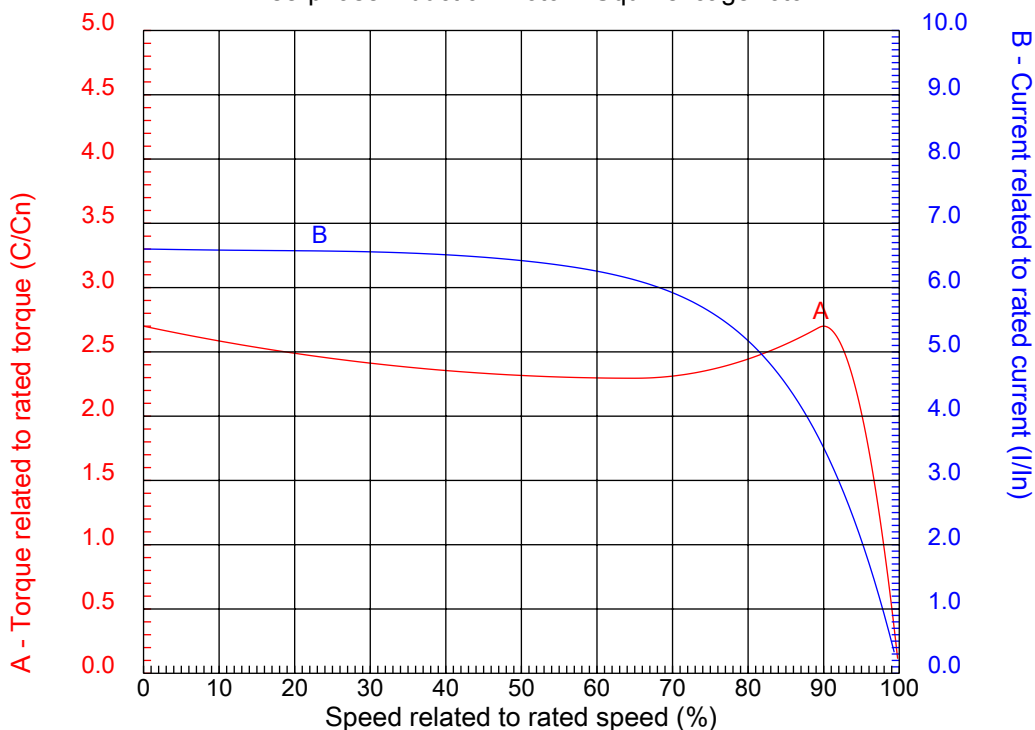
Checked



No.:

Date: 27-DEC-2012

CHARACTERISTIC CURVES RELATED TO SPEED Three-phase induction motor - Squirrel cage rotor



Customer :
Product line : Three-Phase : Explosion Proof - NEMA Premium

Frame	: 324TS	Locked rotor current (I _l /I _{ln})	: 6.6
Output	: 40 HP	Duty cycle	: S1
Frequency	: 60 Hz	Service factor	: 1.15
Full load speed	: 3555	Design	: B
Voltage	: 208-230/460 V	Locked rotor torque	: 270 %
Rated current	: 101-91.5/45.8 A	Breakdown torque	: 270 %
Insulation class	: F		

Notes:

Performed by

Checked

1 2 3 4 5 6 7 8

A

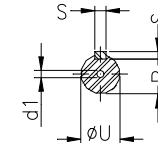
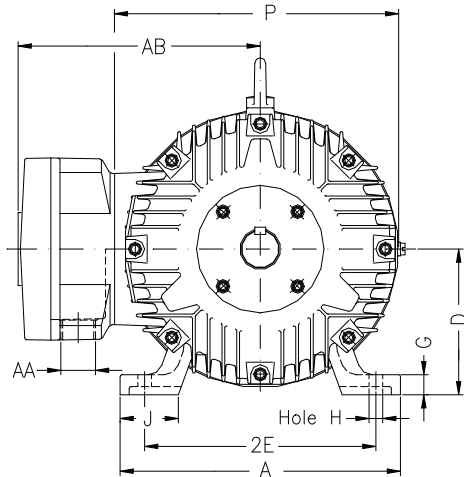
B

C

D

E

F



Notes:

Performed by:

Checked:

Customer:

Three-Phase : Explosion Proof - NEMA Premium

Three-phase induction motor
Frame 324TS - IP54

27-DEC-2012



2E 12.500	A 15.157	2F 10.500	B 13.071	BA 5.250
J 3.228	K 3.346	P 15.697	ES 2.756	depth 0.500
S 0.500	N-W 3.750	U 1.875	R 1.594	AB 12.961
D 8.000	G 1.307	O 15.992	HD 18.787	H 0.657
C 28.102	AA NPT 2"	d1 A 4	d2 A 4	T 2.795
Flange FD-406	AJ 16.000	AK 14.000	BD 18.000	BF 0.828
BB 0.203				