



No.:

Date: 27-DEC-2012

Customer :

TECHNICAL PROPOSAL

Three-phase induction motor - Squirrel cage rotor

Product line : Close Coupled Pump: Three-Phase - W22 "JM" Type - TEFC - NEMA Premium

Catalog Number : 05012ET3E365JM-W22

List Price : \$10,551

Notes:

Performed by:

Checked:



No.:

Date: 27-DEC-2012

## DATA SHEET

### Three-phase induction motor - Squirrel cage rotor

Customer :  
 Product line : Close Coupled Pump: Three-Phase - W22 "JM" Type - TEFC - NEMA Premium

Frame : 364/5JM  
 Output : 50 HP  
 Frequency : 60 Hz  
 Poles : 6  
 Full load speed : 1180  
 Slip : 1.67 %  
 Voltage : 208-230/460 V  
 Rated current : 127-115/57.4 A  
 Locked rotor current : 735/367 A  
 Locked rotor current (I<sub>L</sub>/I<sub>n</sub>) : 6.4  
 No-load current : 40.0/20.0 A  
 Full load torque : 220 lb.ft  
 Locked rotor torque : 200 %  
 Breakdown torque : 240 %  
 Design : B  
 Insulation class : F  
 Temperature rise : 80 K  
 Locked rotor time : 18 s (hot)  
 Service factor : 1.25  
 Duty cycle : S1  
 Ambient temperature : -20°C - +40°C  
 Altitude : 1000  
 Degree of Protection : IP55  
 Approximate weight : 869 lb  
 Moment of inertia : 32.391 sq.ft.lb  
 Noise level : 66 dB(A)

	D.E.	N.D.E.	Load	Power factor	Efficiency (%)
Bearings	6314 C3	6314 C3	100%	0.86	94.1
Regreasing interval	17000 h	17000 h	75%	0.83	94.1
Grease amount	27 g	27 g	50%	0.74	93.6

Notes:

Performed by

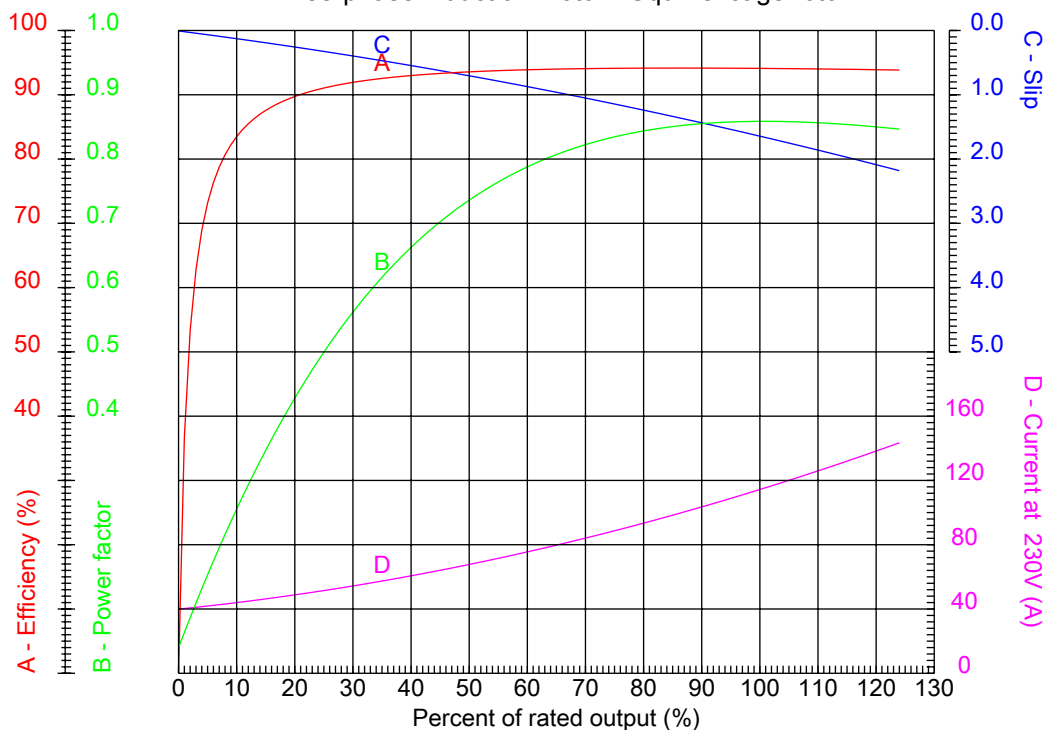
Checked



No.:

Date: 27-DEC-2012

PERFORMANCE CURVES RELATED TO RATED OUTPUT  
Three-phase induction motor - Squirrel cage rotor



Customer :  
Product line : Close Coupled Pump: Three-Phase - W22 "JM" Type - TEFC - NEMA Premium

Frame	: 364/5JM	Locked rotor current (I <sub>l</sub> /I <sub>n</sub> )	: 6.4
Output	: 50 HP	Duty cycle	: S1
Frequency	: 60 Hz	Service factor	: 1.25
Full load speed	: 1180	Design	: B
Voltage	: 208-230/460 V	Locked rotor torque	: 200 %
Rated current	: 127-115/57.4 A	Breakdown torque	: 240 %
Insulation class	: F		

Notes:

Performed by

Checked

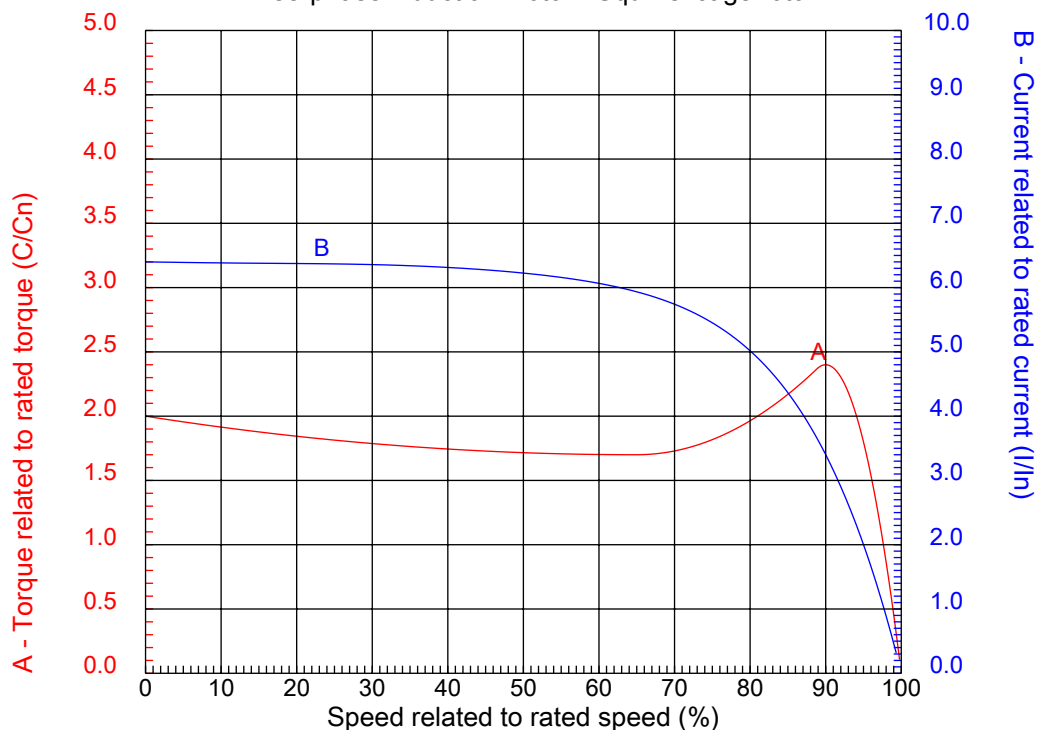


No.:

Date: 27-DEC-2012

### CHARACTERISTIC CURVES RELATED TO SPEED

Three-phase induction motor - Squirrel cage rotor



Customer :  
Product line : Close Coupled Pump: Three-Phase - W22 "JM" Type - TEFC - NEMA Premium

Frame	: 364/5JM	Locked rotor current (I <sub>l</sub> /I <sub>n</sub> )	: 6.4
Output	: 50 HP	Duty cycle	: S1
Frequency	: 60 Hz	Service factor	: 1.25
Full load speed	: 1180	Design	: B
Voltage	: 208-230/460 V	Locked rotor torque	: 200 %
Rated current	: 127-115/57.4 A	Breakdown torque	: 240 %
Insulation class	: F		

Notes:

Performed by

Checked

1 2 3 4 5 6 7 8

A

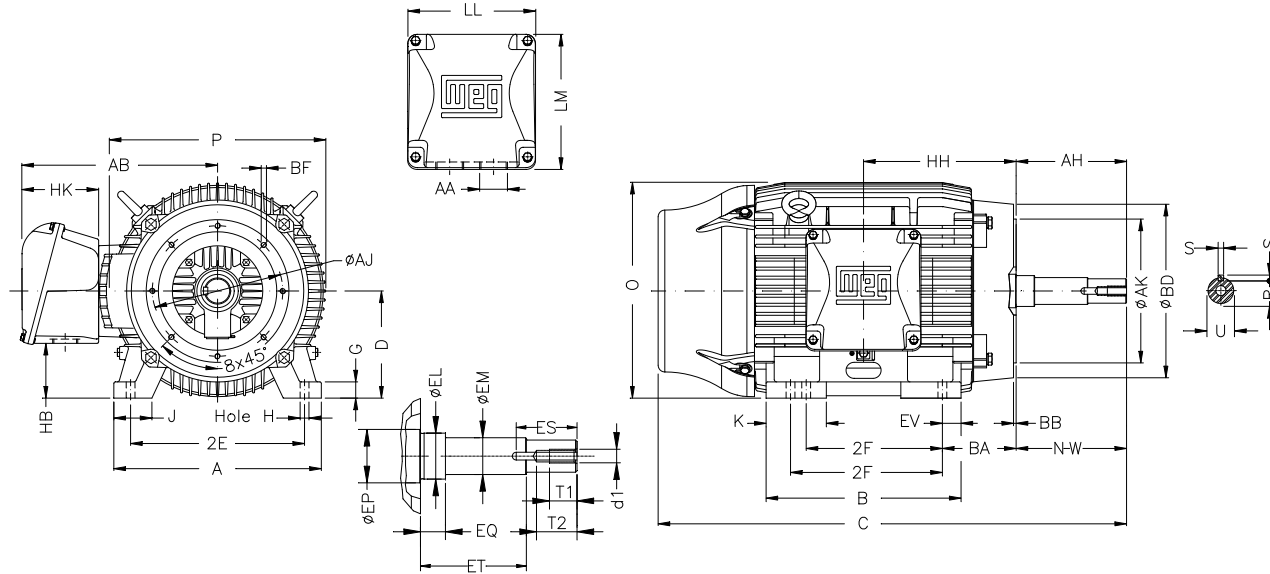
B

C

D

E

F



Notes:

Performed by:

Checked:

Customer:

Close Coupled Pump: Three-Phase - W22 "JM" Type - TEFC - NEMA Premium

Three-phase induction motor  
Frame 364/5JM - IP55

27-DEC-2012



2E 14.016	J 3.150	A 17.165	P 17.914	AB 16.378
2F 11.260/12.244	K 4.921	B 16.220	BA 5.875	D 9.000
G 1.480	O 17.716	T 3.819	HD 21.535	H 0.660
AA NPT 3"	ER 5.250	EQ 0.630	ET 3.006	U 1.249
EM 1.375	EL 1.750	EP 2.756	ES 2.480	t1 0.984
t2 1.496	C 33.031	Flange FC-279	AJ 11.000	AK 12.500
BD 15.562	BF UNC 5/8"x11	BB 0.248	BC ---	AH 5.250