



No.:

Date: 27-DEC-2012

Customer :

TECHNICAL PROPOSAL

Three-phase induction motor - Squirrel cage rotor

Product line : Three-Phase: W22 IEEE-841™ Petrochem Motors - NEMA Premium® Efficiency

Catalog Number : 05036ST3QIE326TS-W22

List Price : \$5,970

Notes:

Performed by:

Checked:



No.:

Date: 27-DEC-2012

DATA SHEET

Three-phase induction motor - Squirrel cage rotor

Customer :
Product line : Three-Phase: W22 IEEE-841™ Petrochem Motors - NEMA Premium® Efficiency

Frame : 326TS
Output : 50 HP
Frequency : 60 Hz
Poles : 2
Full load speed : 3550
Slip : 1.39 %
Voltage : 460 V
Rated current : 56.1 A
Locked rotor current : 348 A
Locked rotor current (I_L/I_n) : 6.2
No-load current : 15.0 A
Full load torque : 73.0 lb.ft
Locked rotor torque : 220 %
Breakdown torque : 230 %
Design : B
Insulation class : F
Temperature rise : 80 K
Locked rotor time : 23 s (hot)
Service factor : 1.25
Duty cycle : S1
Ambient temperature : -20°C - +40°C
Altitude : 1000
Degree of Protection : IP55
Approximate weight : 584 lb
Moment of inertia : 5.7469 sq.ft.lb
Noise level : 78 dB(A)

	D.E.	N.D.E.	Load	Power factor	Efficiency (%)
Bearings	6312 C3	6212 C3	100%	0.89	93.0
Regreasing interval	12000 h	15000 h	75%	0.87	93.0
Grease amount	21 g	13 g	50%	0.83	93.0

Notes:

Performed by

Checked

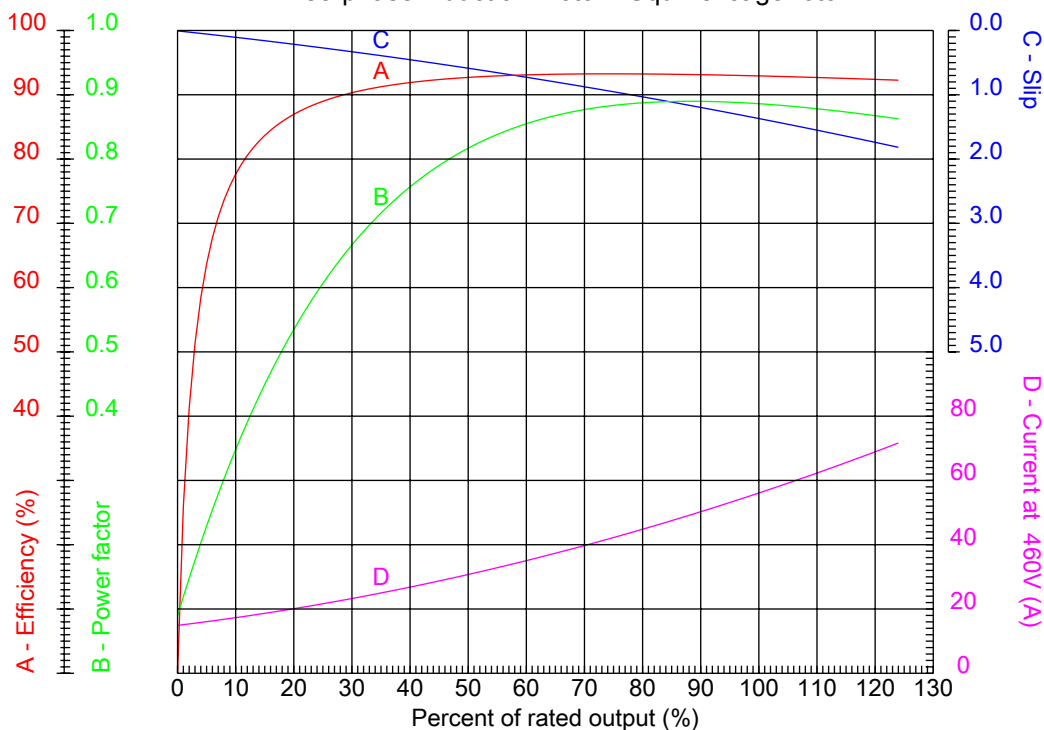


No.:

Date: 27-DEC-2012

PERFORMANCE CURVES RELATED TO RATED OUTPUT

Three-phase induction motor - Squirrel cage rotor



Customer :
Product line : Three-Phase: W22 IEEE-841™ Petrochem Motors - NEMA Premium® Efficiency

Frame : 326TS	Locked rotor current (I _l /I _n) : 6.2
Output : 50 HP	Duty cycle : S1
Frequency : 60 Hz	Service factor : 1.25
Full load speed : 3550	Design : B
Voltage : 460 V	Locked rotor torque : 220 %
Rated current : 56.1 A	Breakdown torque : 230 %
Insulation class : F	

Notes:

Performed by

Checked

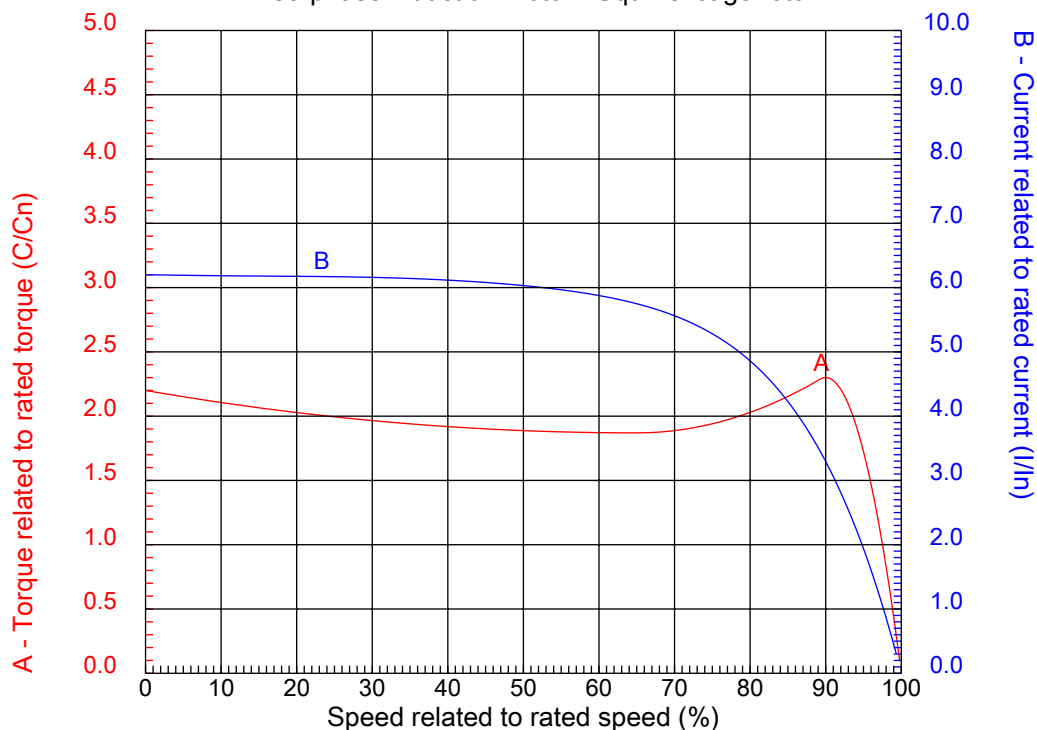


No.:

Date: 27-DEC-2012

CHARACTERISTIC CURVES RELATED TO SPEED

Three-phase induction motor - Squirrel cage rotor



Customer :
Product line : Three-Phase: W22 IEEE-841™ Petrochem Motors - NEMA Premium® Efficiency

Frame	: 326TS	Locked rotor current (I _l /I _n)	: 6.2
Output	: 50 HP	Duty cycle	: S1
Frequency	: 60 Hz	Service factor	: 1.25
Full load speed	: 3550	Design	: B
Voltage	: 460 V	Locked rotor torque	: 220 %
Rated current	: 56.1 A	Breakdown torque	: 230 %
Insulation class	: F		

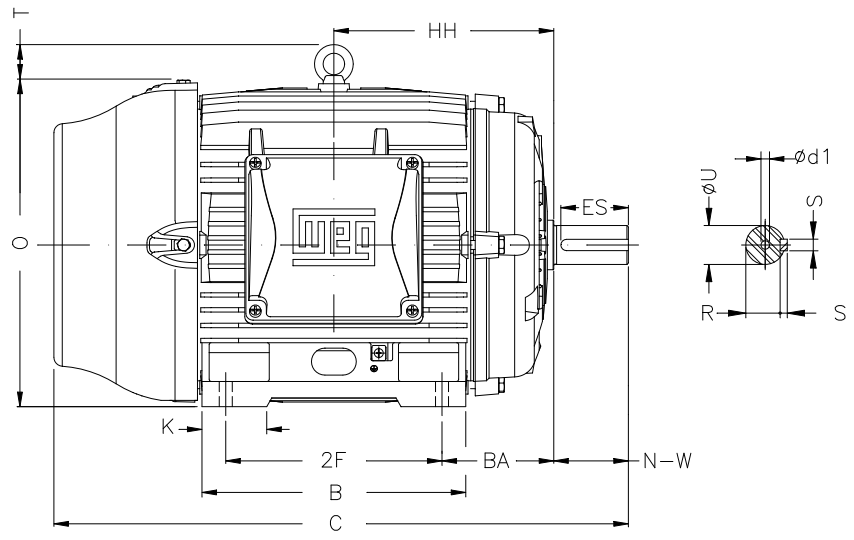
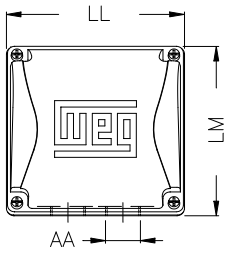
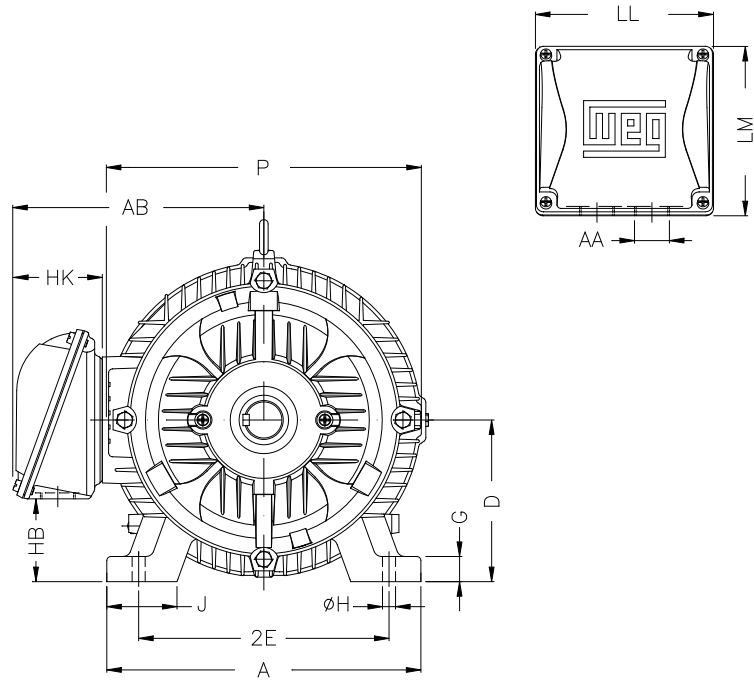
Notes:

Performed by

Checked

1 2 3 4 5 6 7 8

A
B
C
D
E
F



2E	J	A	P	AB
12.500	3.189	15.157	15.827	12.480
2F	K	B	BA	U
12.000	3.189	14.567	5.250	1.875
N-W	ES	S	R	depth
3.750	2.205	0.500	1.594	0.500
D	G	HB	O	T
8.000	1.300	4.811	15.953	2.441
HD	HF	HH	HK	H
18.394	8.708	11.250	4.645	0.657
C	LL	LM	AA	d1
29.616	8.976	8.543	NPT 2"	A 4
d2	Flange	AJ	AK	BD
A 4	FD-406	16.000	14.000	18.00
BF	BB			
0.828	0.203			

Notes:

Performed by:

Checked:

Customer:

Three-Phase: W22 IEEE-841™ Petrochem Motors - NEMA Premium® Efficiency

Three-phase induction motor
Frame 326TS - IP55

27-DEC-2012

