



No.:

Date: 27-DEC-2012

Customer :

TECHNICAL PROPOSAL

Three-phase induction motor - Squirrel cage rotor

Product line : Three-Phase: W22 IEEE-841™ Petrochem Motors - NEMA Premium® Efficiency

Catalog Number : 06012ST3HIE404T-W22

List Price : \$11,790

Notes:

Performed by:

Checked:



No.:

Date: 27-DEC-2012

DATA SHEET

Three-phase induction motor - Squirrel cage rotor

Customer :
Product line : Three-Phase: W22 IEEE-841™ Petrochem Motors - NEMA Premium® Efficiency

Frame : 404/5T
Output : 60 HP
Frequency : 60 Hz
Poles : 6
Full load speed : 1180
Slip : 1.67 %
Voltage : 575 V
Rated current : 55.6 A
Locked rotor current : 356 A
Locked rotor current (I_L/I_n) : 6.4
No-load current : 20.0 A
Full load torque : 263 lb.ft
Locked rotor torque : 200 %
Breakdown torque : 230 %
Design : B
Insulation class : F
Temperature rise : 80 K
Locked rotor time : 20 s (hot)
Service factor : 1.25
Duty cycle : S1
Ambient temperature : -20°C - +40°C
Altitude : 1000
Degree of Protection : IP55
Approximate weight : 1036 lb
Moment of inertia : 36.858 sq.ft.lb
Noise level : 68 dB(A)

	D.E.	N.D.E.	Load	Power factor	Efficiency (%)
Bearings	6316 C3	6314 C3	100%	0.86	94.5
Regreasing interval	16000 h	17000 h	75%	0.82	94.5
Grease amount	34 g	27 g	50%	0.74	94.1

Notes:

Performed by

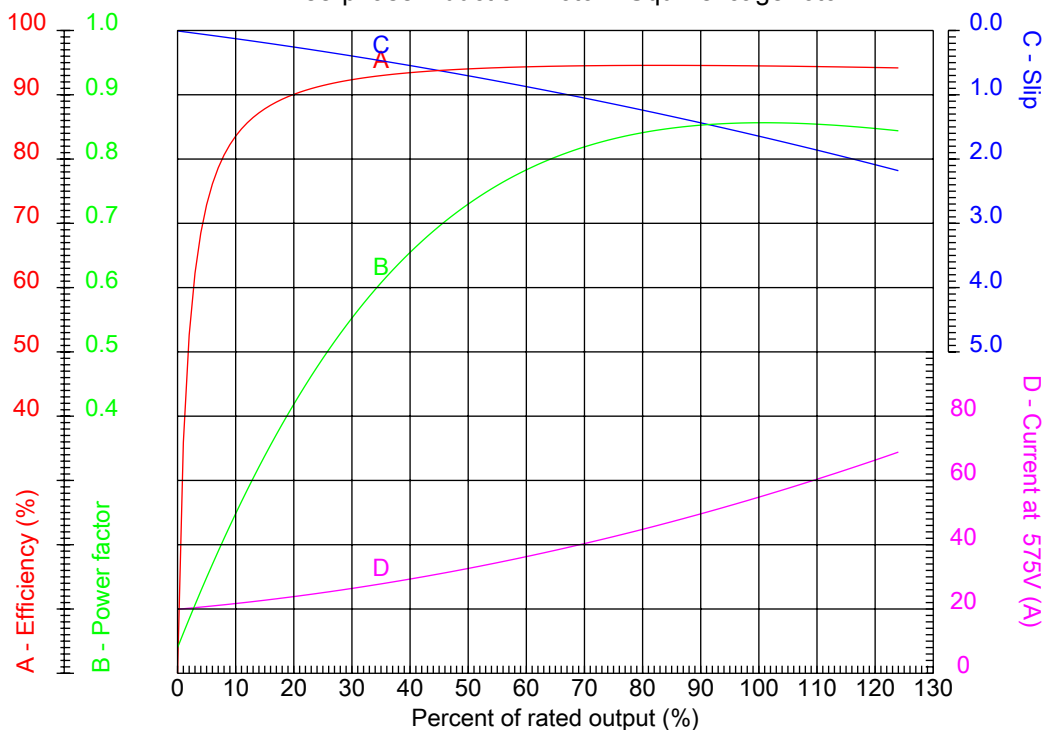
Checked



No.:

Date: 27-DEC-2012

PERFORMANCE CURVES RELATED TO RATED OUTPUT Three-phase induction motor - Squirrel cage rotor



Customer :
Product line : Three-Phase: W22 IEEE-841™ Petrochem Motors - NEMA Premium® Efficiency

Frame : 404/5T	Locked rotor current (I _l /I _n) : 6.4
Output : 60 HP	Duty cycle : S1
Frequency : 60 Hz	Service factor : 1.25
Full load speed : 1180	Design : B
Voltage : 575 V	Locked rotor torque : 200 %
Rated current : 55.6 A	Breakdown torque : 230 %
Insulation class : F	

Notes:

Performed by

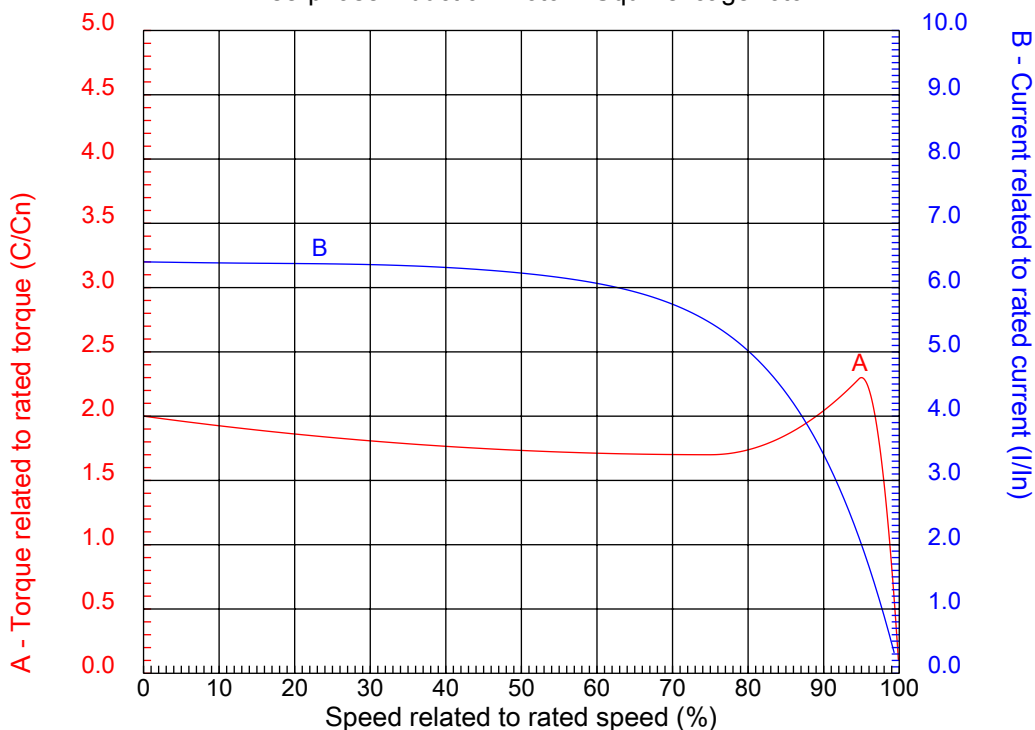
Checked



No.:

Date: 27-DEC-2012

CHARACTERISTIC CURVES RELATED TO SPEED Three-phase induction motor - Squirrel cage rotor



Customer :
Product line : Three-Phase: W22 IEEE-841™ Petrochem Motors - NEMA Premium® Efficiency

Frame	: 404/5T	Locked rotor current (I _l /I _n)	: 6.4
Output	: 60 HP	Duty cycle	: S1
Frequency	: 60 Hz	Service factor	: 1.25
Full load speed	: 1180	Design	: B
Voltage	: 575 V	Locked rotor torque	: 200 %
Rated current	: 55.6 A	Breakdown torque	: 230 %
Insulation class	: F		

Notes:

Performed by

Checked

1 2 3 4 5 6 7 8

A

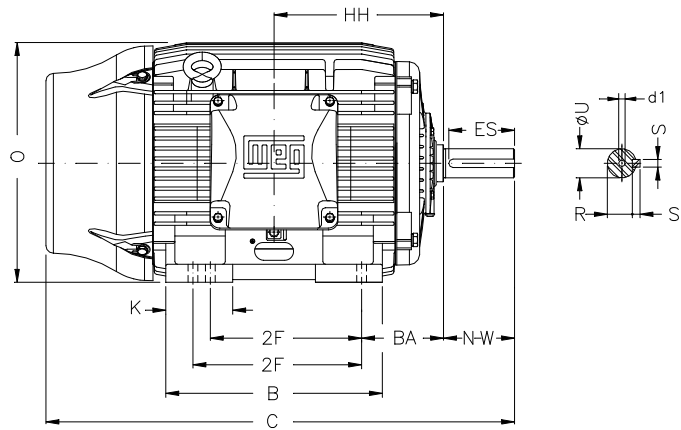
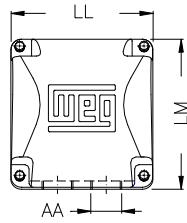
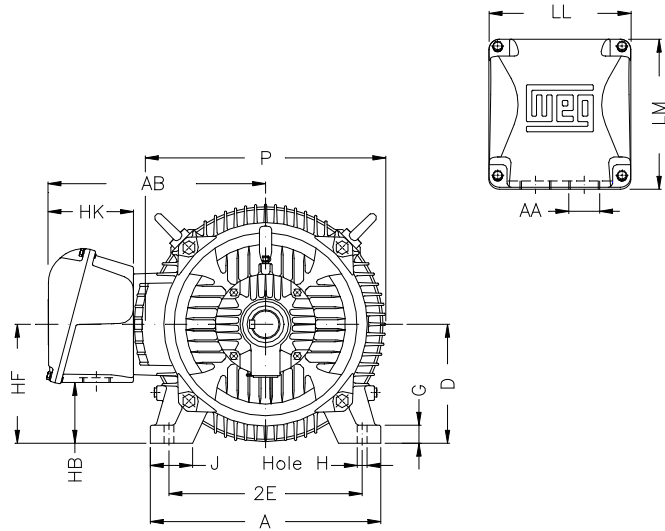
B

C

D

E

F



Notes:

2E	J	A	P	AB
15.984	3.937	19.921	19.134	16.023
2F	K	B	BA	U
12.244/13.740	5.669	18.386	6.625	2.875
N-W	ES	S	R	depth
7.250	5.708	0.750	2.449	0.750
D	G	HB	O	T
10.000	1.811	3.977	19.566	3.544
HD	HH	HK	H	C
23.110	14.213	6.023	0.810	39.730
LL	LM	AA	d1	d2
10.590	11.181	NPT 3"	DUNC 3/4"-10	DUNC 3/4"-10
Flange	AJ	AK	BD	BF
FD-508	20.000	18.000	22.00	0.828
BB				
0.203				

Performed by:

Checked:

Customer:

Three-Phase: W22 IEEE-841™ Petrochem Motors - NEMA Premium® Efficiency

Three-phase induction motor
Frame 404/5T - IP55

27-DEC-2012

