



No.:

Date: 27-DEC-2012

Customer :

TECHNICAL PROPOSAL

Three-phase induction motor - Squirrel cage rotor

Product line : Close Coupled Pump : Three-Phase - "JM" Type - ODP - NEMA Premium

Catalog Number : 06018OT3E364JM

List Price : \$5,994

Notes:

Performed by:

Checked:



No.:

Date: 27-DEC-2012

## DATA SHEET

### Three-phase induction motor - Squirrel cage rotor

Customer :  
Product line : Close Coupled Pump : Three-Phase - "JM" Type - ODP - NEMA Premium

Frame : 364/5JM  
Output : 60 HP  
Frequency : 60 Hz  
Poles : 4  
Full load speed : 1780  
Slip : 1.11 %  
Voltage : 208-230/460 V  
Rated current : 155-140/69.9 A  
Locked rotor current : 937/468 A  
Locked rotor current (I<sub>L</sub>/I<sub>n</sub>) : 6.7  
No-load current : 50.0/25.0 A  
Full load torque : 175 lb.ft  
Locked rotor torque : 250 %  
Breakdown torque : 300 %  
Design : B  
Insulation class : F  
Temperature rise : 80 K  
Locked rotor time : 15 s (hot)  
Service factor : 1.15  
Duty cycle : S1  
Ambient temperature : -20°C - +40°C  
Altitude : 1000  
Degree of Protection : IP23  
Approximate weight : 825 lb  
Moment of inertia : 15.555 sq.ft.lb  
Noise level : 68 dB(A)

	D.E.	N.D.E.	Load	Power factor	Efficiency (%)
Bearings	6314 C3	6314 C3	100%	0.85	95.0
Regreasing interval	20000 h	20000 h	75%	0.83	94.5
Grease amount	27 g	27 g	50%	0.74	94.5

Notes:

Performed by

Checked

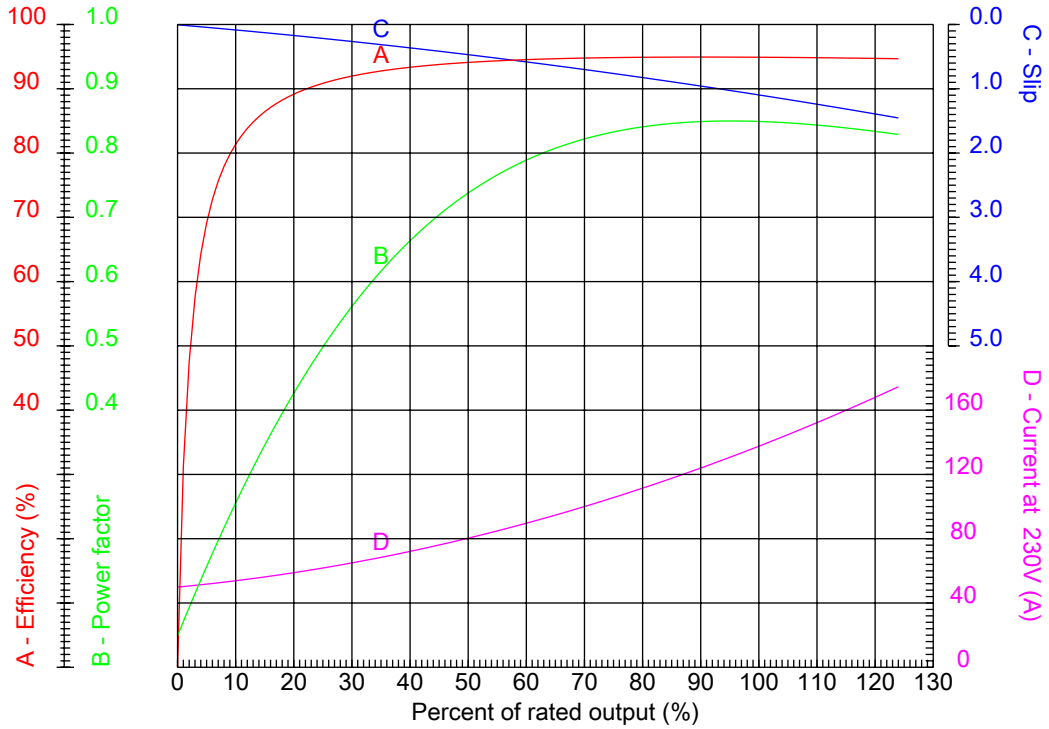


No.:

Date: 27-DEC-2012

PERFORMANCE CURVES RELATED TO RATED OUTPUT

Three-phase induction motor - Squirrel cage rotor



Customer :  
 Product line : Close Coupled Pump : Three-Phase - "JM" Type - ODP - NEMA Premium

Frame	: 364/5JM	Locked rotor current (I <sub>l</sub> /I <sub>n</sub> )	: 6.7
Output	: 60 HP	Duty cycle	: S1
Frequency	: 60 Hz	Service factor	: 1.15
Full load speed	: 1780	Design	: B
Voltage	: 208-230/460 V	Locked rotor torque	: 250 %
Rated current	: 155-140/69.9 A	Breakdown torque	: 300 %
Insulation class	: F		

Notes:

Performed by

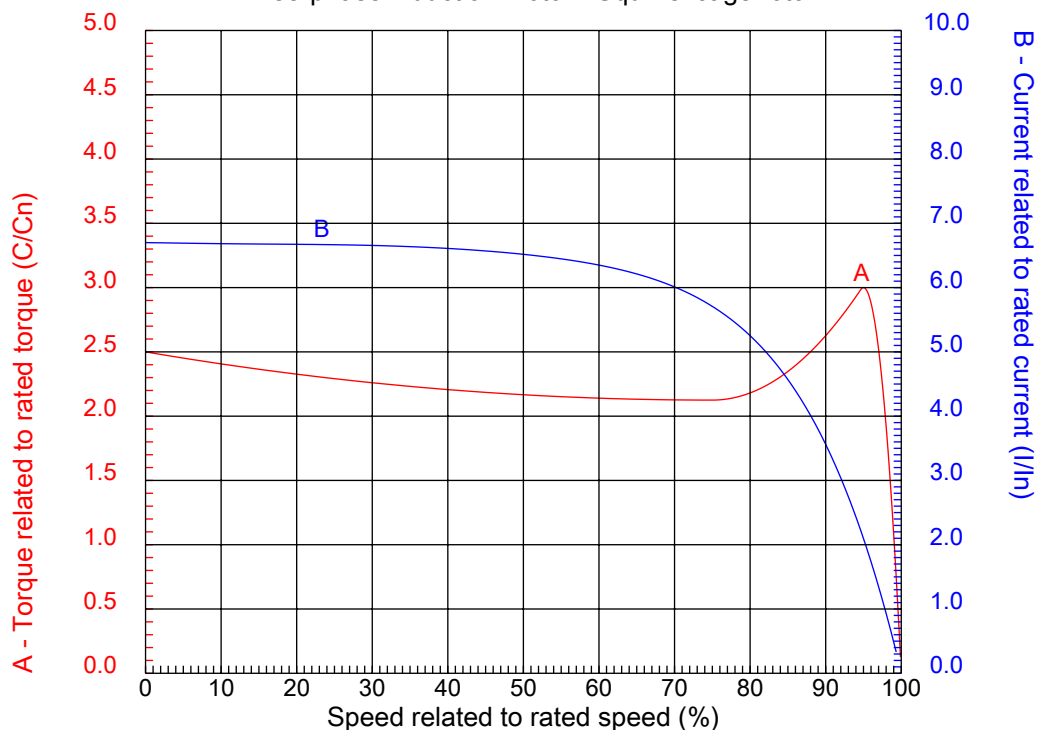
Checked



No.:

Date: 27-DEC-2012

### CHARACTERISTIC CURVES RELATED TO SPEED Three-phase induction motor - Squirrel cage rotor



Customer :  
Product line : Close Coupled Pump : Three-Phase - "JM" Type - ODP - NEMA Premium

Frame	: 364/5JM	Locked rotor current (I <sub>l</sub> /I <sub>n</sub> )	: 6.7
Output	: 60 HP	Duty cycle	: S1
Frequency	: 60 Hz	Service factor	: 1.15
Full load speed	: 1780	Design	: B
Voltage	: 208-230/460 V	Locked rotor torque	: 250 %
Rated current	: 155-140/69.9 A	Breakdown torque	: 300 %
Insulation class	: F		

Notes:

Performed by

Checked

1 2 3 4 5 6 7 8

A

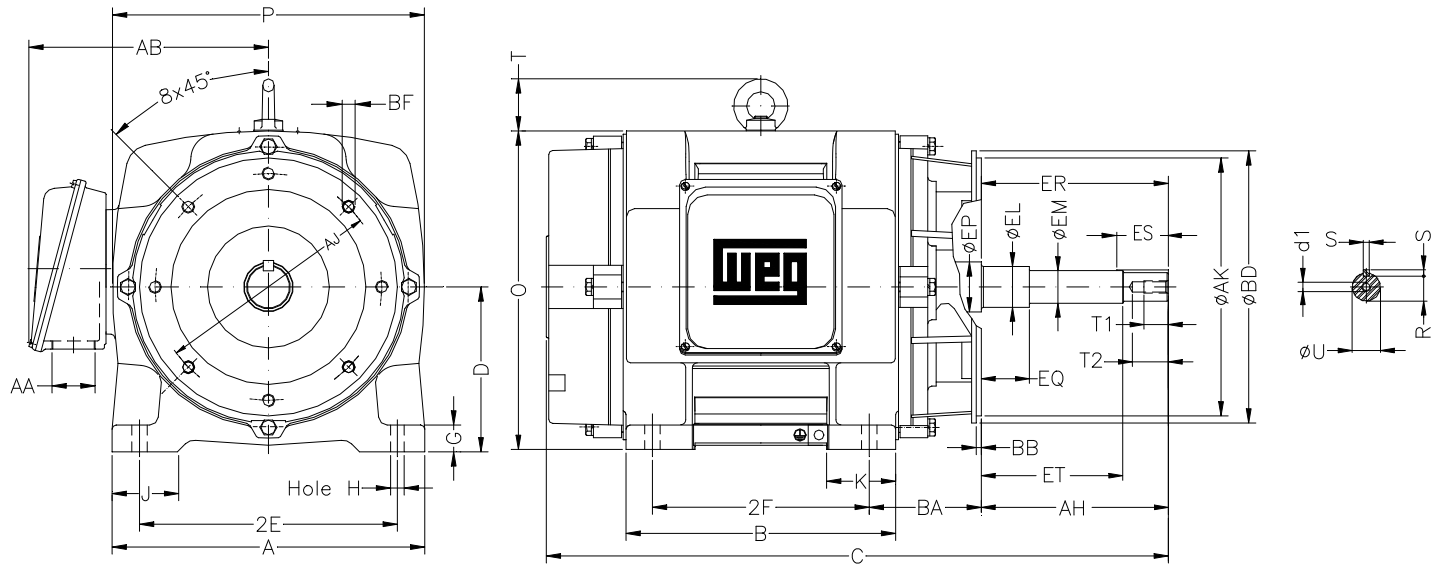
B

C

D

E

F



Notes:

2E 14.000	A 17.170	2F 11.250/12.250	B 15.400	J 3.150
BA 5.875	D 9.000	K 4.140	G 1.480	O 18.425
P 17.874	T 2.795	HD 21.220	H 0.657	AA NPT 3"
ER 5.250	EQ 0.630	ET 3.006	U 1.249	EM 1.375
EL 1.750	S 0.250	EP 2.754	R 1.110	ES 2.480
d1 EUNC 1/2"-13	t1 0.984	t2 1.496	C 29.139	Flange FC-279
AJ 11.000	AK 12.500	BD 13.189	BF UNC 5/8"x11	BB 0.250
BC	AH 5.250			

Performed by:

Checked:

Customer:

Close Coupled Pump : Three-Phase - "JM" Type - ODP - NEMA Premium

Three-phase induction motor  
Frame 364/5JM - IP23

27-DEC-2012

