



No.:

Date: 27-DEC-2012

Customer :

TECHNICAL PROPOSAL

Three-phase induction motor - Squirrel cage rotor

Product line : Close Coupled Pump : Three-Phase - "JM" Type - ODP - NEMA Premium

Catalog Number : 06018OT3G364JM

List Price : \$5,994

Notes:

Performed by:

Checked:



No.:

Date: 27-DEC-2012

## DATA SHEET

### Three-phase induction motor - Squirrel cage rotor

Customer :  
Product line : Close Coupled Pump : Three-Phase - "JM" Type - ODP - NEMA Premium

Frame : 364/5JM  
Output : 60 HP  
Frequency : 60 Hz  
Poles : 4  
Full load speed : 1780  
Slip : 1.11 %  
Voltage : 460 V  
Rated current : 69.9 A  
Locked rotor current : 468 A  
Locked rotor current (I<sub>L</sub>/I<sub>n</sub>) : 6.7  
No-load current : 25.0 A  
Full load torque : 175 lb.ft  
Locked rotor torque : 250 %  
Breakdown torque : 300 %  
Design : B  
Insulation class : F  
Temperature rise : 80 K  
Locked rotor time : 15 s (hot)  
Service factor : 1.15  
Duty cycle : S1  
Ambient temperature : -20°C - +40°C  
Altitude : 1000  
Degree of Protection : IP23  
Approximate weight : 825 lb  
Moment of inertia : 15.555 sq.ft.lb  
Noise level : 68 dB(A)

|                     | D.E.    | N.D.E.  | Load | Power factor | Efficiency (%) |
|---------------------|---------|---------|------|--------------|----------------|
| Bearings            | 6314 C3 | 6314 C3 | 100% | 0.85         | 95.0           |
| Regreasing interval | 20000 h | 20000 h | 75%  | 0.83         | 94.5           |
| Grease amount       | 27 g    | 27 g    | 50%  | 0.74         | 94.5           |

Notes:

Performed by

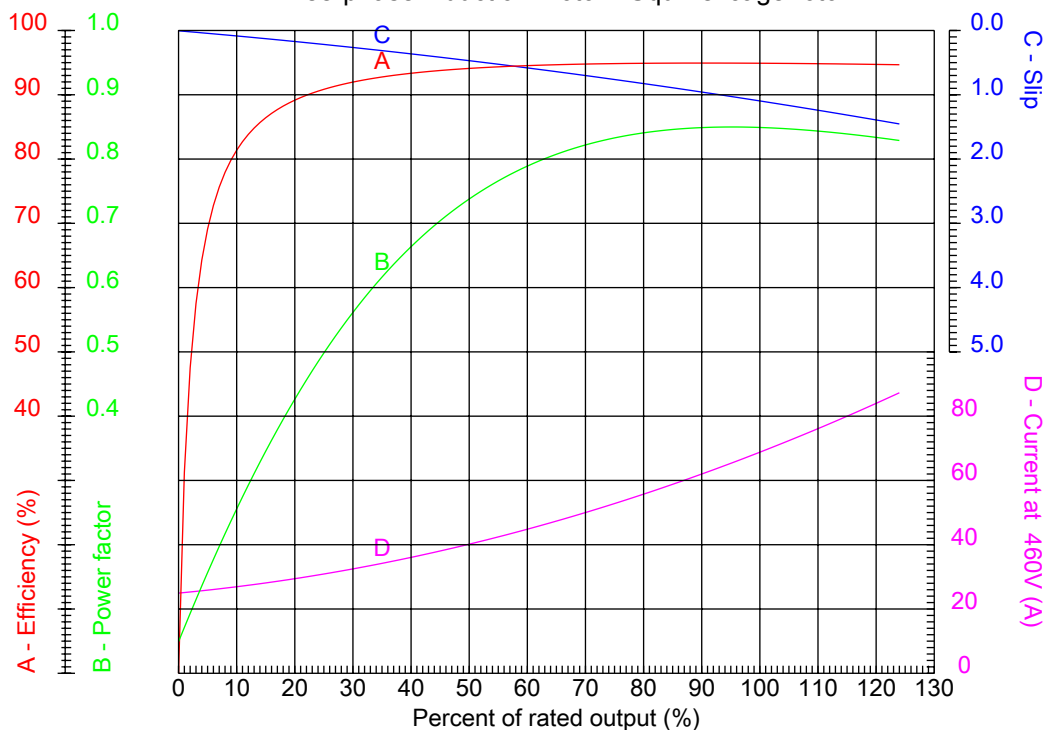
Checked



No.:

Date: 27-DEC-2012

### PERFORMANCE CURVES RELATED TO RATED OUTPUT Three-phase induction motor - Squirrel cage rotor



Customer :  
Product line : Close Coupled Pump : Three-Phase - "JM" Type - ODP - NEMA Premium

|                        |  |
|------------------------|--|
| Frame : 364/5JM        | Locked rotor current (I <sub>l</sub> /I <sub>n</sub> ) : 6.7 |
| Output : 60 HP         | Duty cycle : S1  |
| Frequency : 60 Hz      | Service factor : 1.15  |
| Full load speed : 1780 | Design : B   |
| Voltage : 460 V        | Locked rotor torque : 250 %                                  |
| Rated current : 69.9 A | Breakdown torque : 300 %                                     |
| Insulation class : F   |  |

Notes:

Performed by

Checked

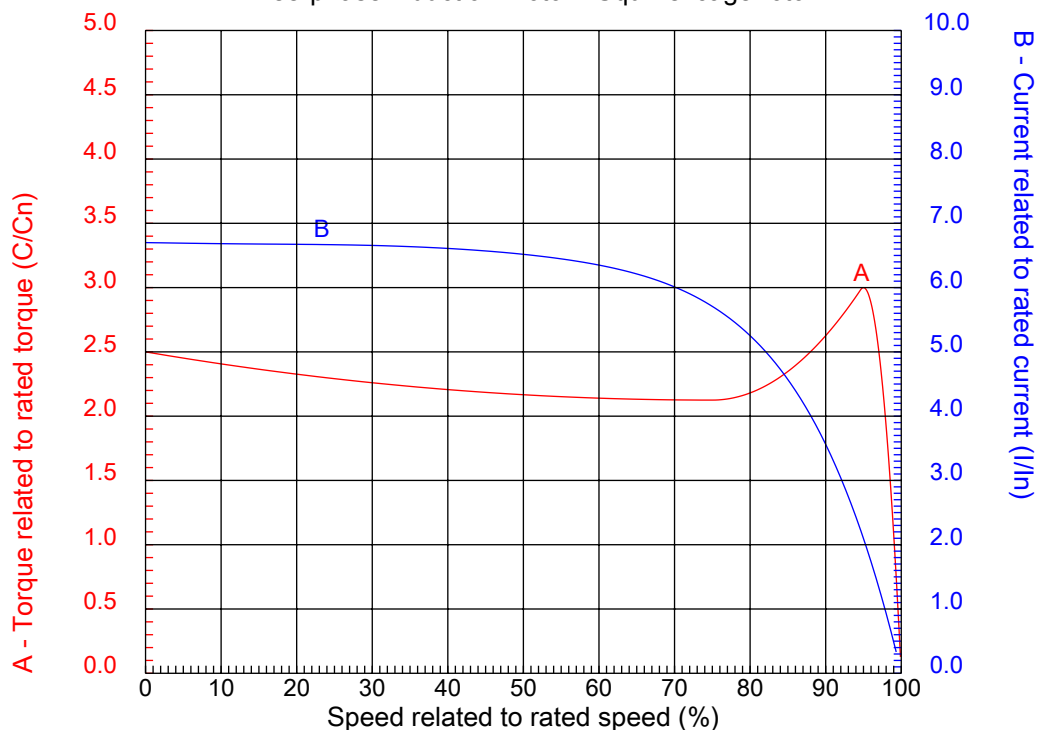


No.:

Date: 27-DEC-2012

### CHARACTERISTIC CURVES RELATED TO SPEED

Three-phase induction motor - Squirrel cage rotor



Customer :  
Product line : Close Coupled Pump : Three-Phase - "JM" Type - ODP - NEMA Premium

|                  |           |  |         |
|------------------|-----------|--|---------|
| Frame            | : 364/5JM | Locked rotor current (I <sub>l</sub> /I <sub>n</sub> ) | : 6.7   |
| Output           | : 60 HP   | Duty cycle   | : S1    |
| Frequency        | : 60 Hz   | Service factor   | : 1.15  |
| Full load speed  | : 1780    | Design   | : B     |
| Voltage          | : 460 V   | Locked rotor torque                                    | : 250 % |
| Rated current    | : 69.9 A  | Breakdown torque                                       | : 300 % |
| Insulation class | : F       |  |         |

Notes:

Performed by

Checked

1 2 3 4 5 6 7 8

A

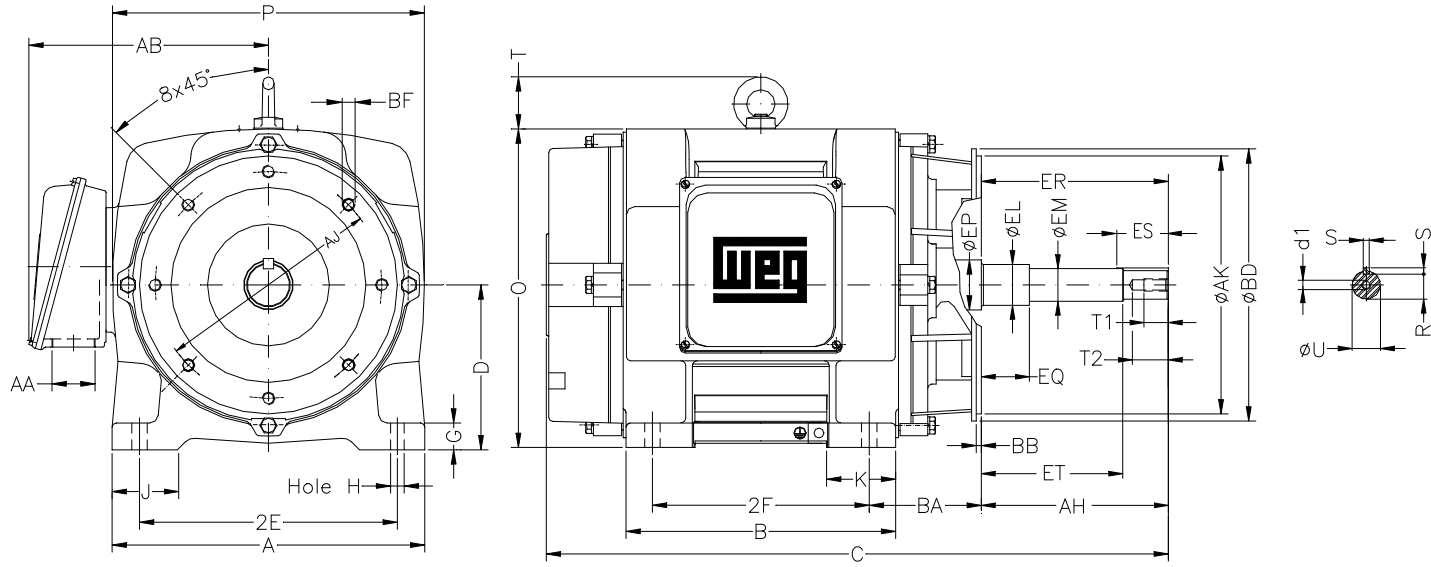
B

C

D

E

F



Notes:

|              |        |               |             |        |
|--------------|--------|---------------|-------------|--------|
| 2E           | A      | 2F            | B           | J      |
| 14.000       | 17.170 | 11.250/12.250 | 15.400      | 3.150  |
| BA           | D      | K             | G           | O      |
| 5.875        | 9.000  | 4.140         | 1.480       | 18.425 |
| P            | T      | HD            | H           | AA     |
| 17.874       | 2.795  | 21.220        | 0.657       | NPT 3" |
| ER           | EQ     | ET            | U           | EM     |
| 5.250        | 0.630  | 3.006         | 1.249       | 1.375  |
| EL           | S      | EP            | R           | ES     |
| 1.750        | 0.250  | 2.754         | 1.110       | 2.480  |
| d1           | t1     | t2            | C           | Flange |
| EUNC 1/2"-13 | 0.984  | 1.496         | 29.139      | FC-279 |
| AJ           | AK     | BD            | BF          | BB     |
| 11.000       | 12.500 | 13.189        | UNC 5/8"x11 | 0.250  |
| BC           | AH     |               |             |        |
|              | 5.250  |               |             |        |

Performed by:

Checked:

Customer:

Close Coupled Pump : Three-Phase - "JM" Type - ODP - NEMA Premium

Three-phase induction motor  
Frame 364/5JM - IP23

27-DEC-2012

