



No.:

Date: 27-DEC-2012

Customer :

TECHNICAL PROPOSAL

Three-phase induction motor - Squirrel cage rotor

Product line : Close Coupled Pump: Three-Phase - W22 "JM" Type - TEFC - NEMA Premium

Catalog Number : 06036ET3E364JM-W22

List Price : \$8,261

Notes:

Performed by:

Checked:



No.:

Date: 27-DEC-2012

DATA SHEET

Three-phase induction motor - Squirrel cage rotor

Customer :
 Product line : Close Coupled Pump: Three-Phase - W22 "JM" Type - TEFC - NEMA Premium

Frame : 364/5JM
 Output : 60 HP
 Frequency : 60 Hz
 Poles : 2
 Full load speed : 3560
 Slip : 1.11 %
 Voltage : 208-230/460 V
 Rated current : 148-134/67.0 A
 Locked rotor current : 884/442 A
 Locked rotor current (I_L/I_n) : 6.6
 No-load current : 30.0/15.0 A
 Full load torque : 87.3 lb.ft
 Locked rotor torque : 200 %
 Breakdown torque : 260 %
 Design : B
 Insulation class : F
 Temperature rise : 80 K
 Locked rotor time : 14 s (hot)
 Service factor : 1.25
 Duty cycle : S1
 Ambient temperature : -20°C - +40°C
 Altitude : 1000
 Degree of Protection : IP55
 Approximate weight : 825 lb
 Moment of inertia : 10.642 sq.ft.lb
 Noise level : 79 dB(A)

	D.E.	N.D.E.	Load	Power factor	Efficiency (%)
Bearings	6314 C3	6314 C3	100%	0.90	93.6
Regreasing interval	4000 h	4000 h	75%	0.88	93.0
Grease amount	27 g	27 g	50%	0.81	91.7

Notes:

Performed by

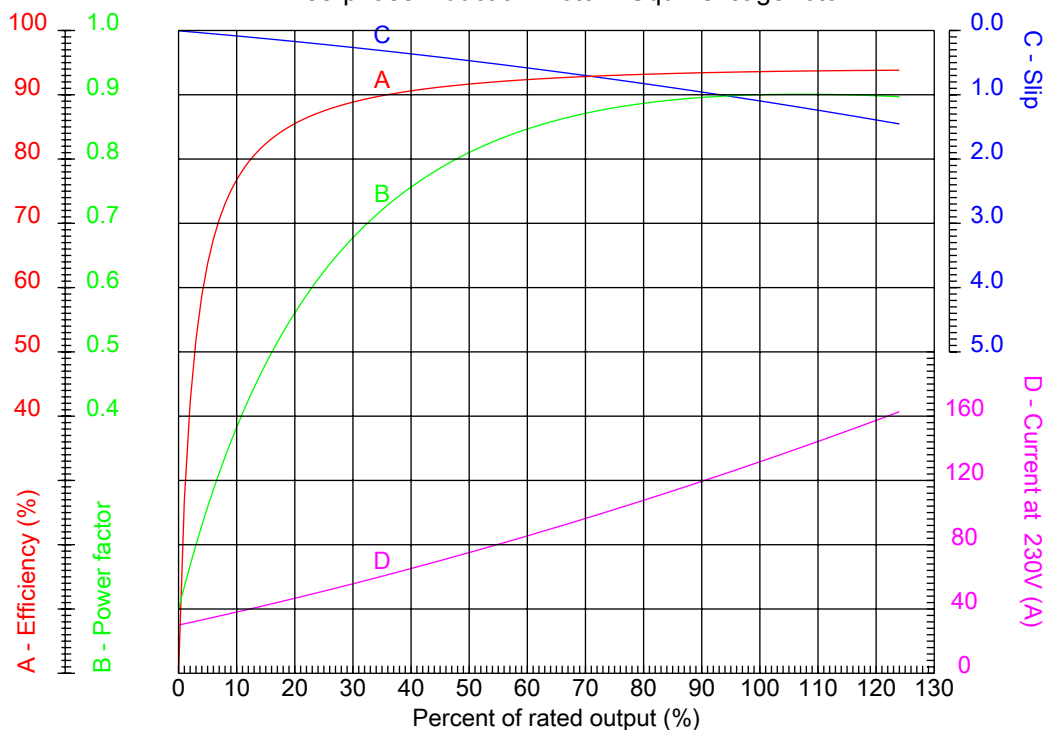
Checked



No.:

Date: 27-DEC-2012

PERFORMANCE CURVES RELATED TO RATED OUTPUT Three-phase induction motor - Squirrel cage rotor



Customer :
Product line : Close Coupled Pump: Three-Phase - W22 "JM" Type - TEFC - NEMA Premium

Frame	: 364/5JM	Locked rotor current (I _l /I _n)	: 6.6
Output	: 60 HP	Duty cycle	: S1
Frequency	: 60 Hz	Service factor	: 1.25
Full load speed	: 3560	Design	: B
Voltage	: 208-230/460 V	Locked rotor torque	: 200 %
Rated current	: 148-134/67.0 A	Breakdown torque	: 260 %
Insulation class	: F		

Notes:

Performed by

Checked

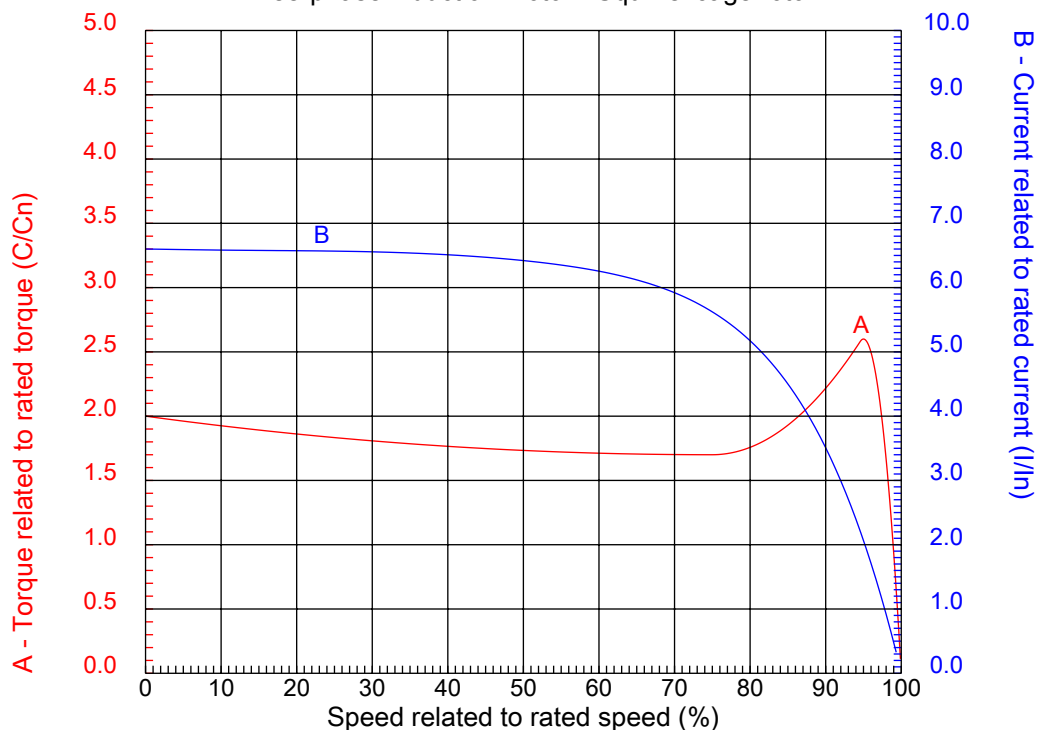


No.:

Date: 27-DEC-2012

CHARACTERISTIC CURVES RELATED TO SPEED

Three-phase induction motor - Squirrel cage rotor



Customer :
Product line : Close Coupled Pump: Three-Phase - W22 "JM" Type - TEFC - NEMA Premium

Frame	: 364/5JM	Locked rotor current (I _l /I _n)	: 6.6
Output	: 60 HP	Duty cycle	: S1
Frequency	: 60 Hz	Service factor	: 1.25
Full load speed	: 3560	Design	: B
Voltage	: 208-230/460 V	Locked rotor torque	: 200 %
Rated current	: 148-134/67.0 A	Breakdown torque	: 260 %
Insulation class	: F		

Notes:

Performed by

Checked

1 2 3 4 5 6 7 8

A

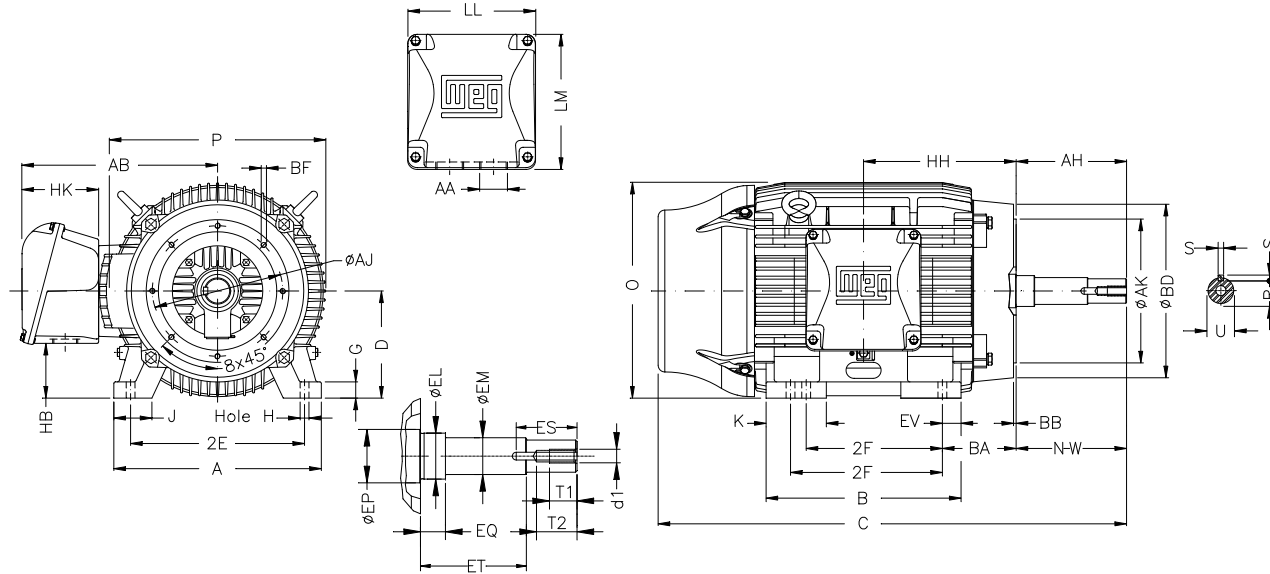
B

C

D

E

F



Notes:

Performed by:

Checked:

Customer:

Close Coupled Pump: Three-Phase - W22 "JM" Type - TEFC - NEMA Premium

Three-phase induction motor
Frame 364/5JM - IP55

27-DEC-2012



2E 14.016	J 3.150	A 17.165	P 17.914	AB 16.378
2F 11.260/12.244	K 4.921	B 16.220	BA 5.875	D 9.000
G 1.480	O 17.716	T 3.819	HD 21.535	H 0.660
AA NPT 3"	ER 5.250	EQ 0.630	ET 3.006	U 1.249
EM 1.375	EL 1.750	EP 2.756	ES 2.480	t1 0.984
t2 1.496	C 33.031	Flange FC-279	AJ 11.000	AK 12.500
BD 15.562	BF UNC 5/8"x11	BB 0.248	BC ---	AH 5.250