



No.:

Date: 27-DEC-2012

Customer :

TECHNICAL PROPOSAL

Three-phase induction motor - Squirrel cage rotor

Product line : Close Coupled Pump : Three-Phase - "JM" Type - ODP - NEMA Premium

Catalog Number : 06036OT3E326JM

List Price : \$5,432

Notes:

Performed by:

Checked:



No.:

Date: 27-DEC-2012

DATA SHEET

Three-phase induction motor - Squirrel cage rotor

Customer :
Product line : Close Coupled Pump : Three-Phase - "JM" Type - ODP - NEMA Premium

Frame : 326JM
Output : 60 HP
Frequency : 60 Hz
Poles : 2
Full load speed : 3555
Slip : 1.25 %
Voltage : 208-230/460 V
Rated current : 157-142/71.0 A
Locked rotor current : 880/440 A
Locked rotor current (I_L/I_n) : 6.2
No-load current : 36.0/18.0 A
Full load torque : 87.4 lb.ft
Locked rotor torque : 200 %
Breakdown torque : 260 %
Design : B
Insulation class : F
Temperature rise : 80 K
Locked rotor time : 24 s (hot)
Service factor : 1.15
Duty cycle : S1
Ambient temperature : -20°C - +40°C
Altitude : 1000
Degree of Protection : IP23
Approximate weight : 582 lb
Moment of inertia : 4.3635 sq.ft.lb
Noise level : 75 dB(A)

	D.E.	N.D.E.	Load	Power factor	Efficiency (%)
Bearings	6312 Z-C3	6212 Z-C3	100%	0.85	93.6
Regreasing interval	19658 h	20000 h	75%	0.84	93.6
Grease amount	21 g	13 g	50%	0.77	93.0

Notes:

Performed by

Checked

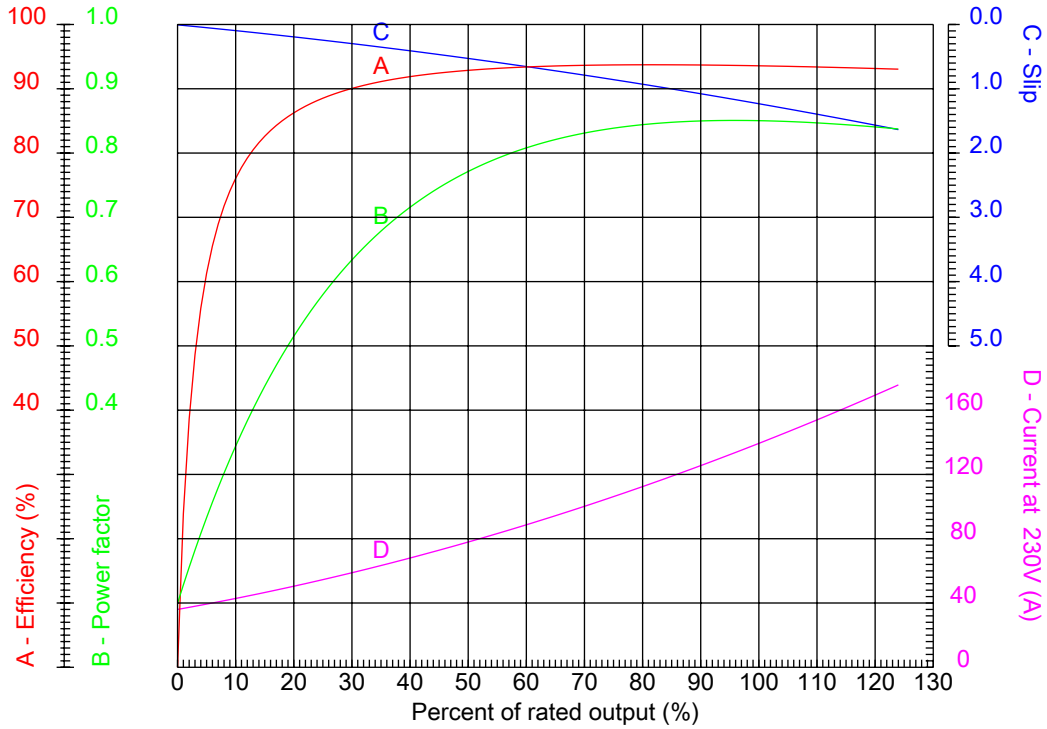


No.:

Date: 27-DEC-2012

PERFORMANCE CURVES RELATED TO RATED OUTPUT

Three-phase induction motor - Squirrel cage rotor



Customer :
 Product line : Close Coupled Pump : Three-Phase - "JM" Type - ODP - NEMA Premium

Frame	: 326JM	Locked rotor current (I _l /I _n)	: 6.2
Output	: 60 HP	Duty cycle	: S1
Frequency	: 60 Hz	Service factor	: 1.15
Full load speed	: 3555	Design	: B
Voltage	: 208-230/460 V	Locked rotor torque	: 200 %
Rated current	: 157-142/71.0 A	Breakdown torque	: 260 %
Insulation class	: F		

Notes:

Performed by

Checked

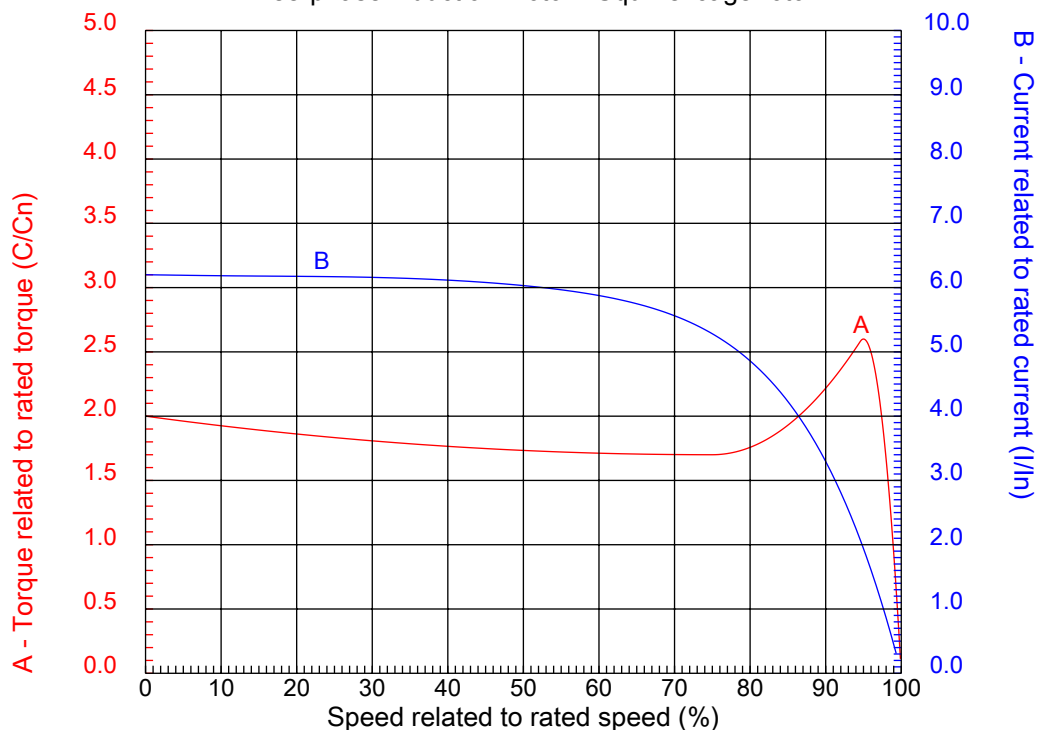


No.:

Date: 27-DEC-2012

CHARACTERISTIC CURVES RELATED TO SPEED

Three-phase induction motor - Squirrel cage rotor



Customer :
Product line : Close Coupled Pump : Three-Phase - "JM" Type - ODP - NEMA Premium

Frame	: 326JM	Locked rotor current (I _l /I _n)	: 6.2
Output	: 60 HP	Duty cycle	: S1
Frequency	: 60 Hz	Service factor	: 1.15
Full load speed	: 3555	Design	: B
Voltage	: 208-230/460 V	Locked rotor torque	: 200 %
Rated current	: 157-142/71.0 A	Breakdown torque	: 260 %
Insulation class	: F		

Notes:

Performed by

Checked

1 2 3 4 5 6 7 8

A

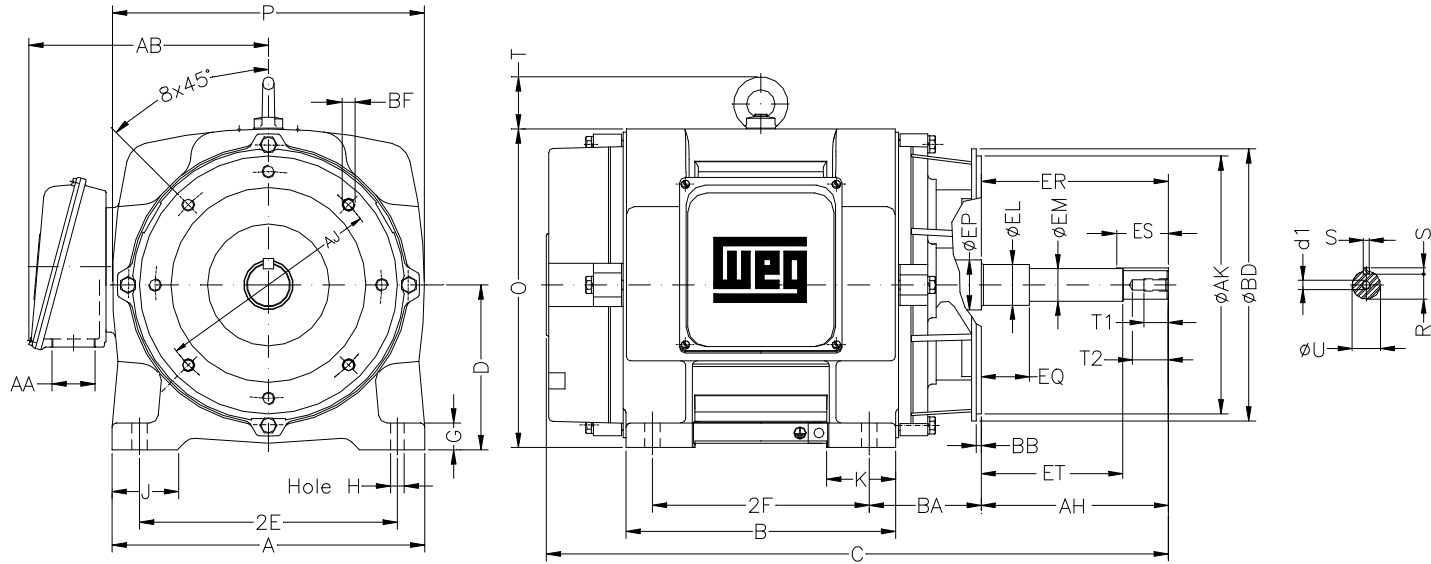
B

C

D

E

F



Notes:

Performed by:

Checked:

Customer:

Close Coupled Pump : Three-Phase - "JM" Type - ODP - NEMA Premium

Three-phase induction motor
Frame 326JM - IP23

27-DEC-2012



2E	A	2F	B	J
12.500	15.160	12.000	14.566	3.230
BA	D	K	G	O
5.500	8.000	3.350	1.299	15.551
P	T	HD	H	AA
15.118	2.559	18.110	0.657	NPT 2"
ER	EQ	ET	U	EM
5.250	0.630	3.006	1.249	1.375
EL	S	EP	R	ES
1.750	0.250	2.360	1.110	2.559
d1	t1	t2	C	Flange
EUNC 1/2"-13	0.984	1.496	27.927	FC-279
AJ	AK	BD	BF	BB
11.000	12.500	13.189	UNC 5/8"x11	0.250
BC	AH			
	5.250			