



No.:

Date: 27-DEC-2012

Customer :

TECHNICAL PROPOSAL

Three-phase induction motor - Squirrel cage rotor

Product line : Three-Phase: W22 IEEE-841™ Petrochem Motors - NEMA Premium® Efficiency

Catalog Number : 06036ST3HIE364TS-W22

List Price : \$8,665

Notes:

Performed by:

Checked:



No.:

Date: 27-DEC-2012

DATA SHEET

Three-phase induction motor - Squirrel cage rotor

Customer :
Product line : Three-Phase: W22 IEEE-841™ Petrochem Motors - NEMA Premium® Efficiency

Frame : 364/5TS
Output : 60 HP
Frequency : 60 Hz
Poles : 2
Full load speed : 3560
Slip : 1.11 %
Voltage : 575 V
Rated current : 53.6 A
Locked rotor current : 354 A
Locked rotor current (I_L/I_n) : 6.6
No-load current : 12.0 A
Full load torque : 87.3 lb.ft
Locked rotor torque : 200 %
Breakdown torque : 260 %
Design : B
Insulation class : F
Temperature rise : 80 K
Locked rotor time : 14 s (hot)
Service factor : 1.25
Duty cycle : S1
Ambient temperature : -20°C - +40°C
Altitude : 1000
Degree of Protection : IP55
Approximate weight : 825 lb
Moment of inertia : 10.642 sq.ft.lb
Noise level : 79 dB(A)

	D.E.	N.D.E.	Load	Power factor	Efficiency (%)
Bearings	6314 C3	6314 C3	100%	0.90	93.6
Regreasing interval	4000 h	4000 h	75%	0.88	93.0
Grease amount	27 g	27 g	50%	0.81	91.7

Notes:

Performed by

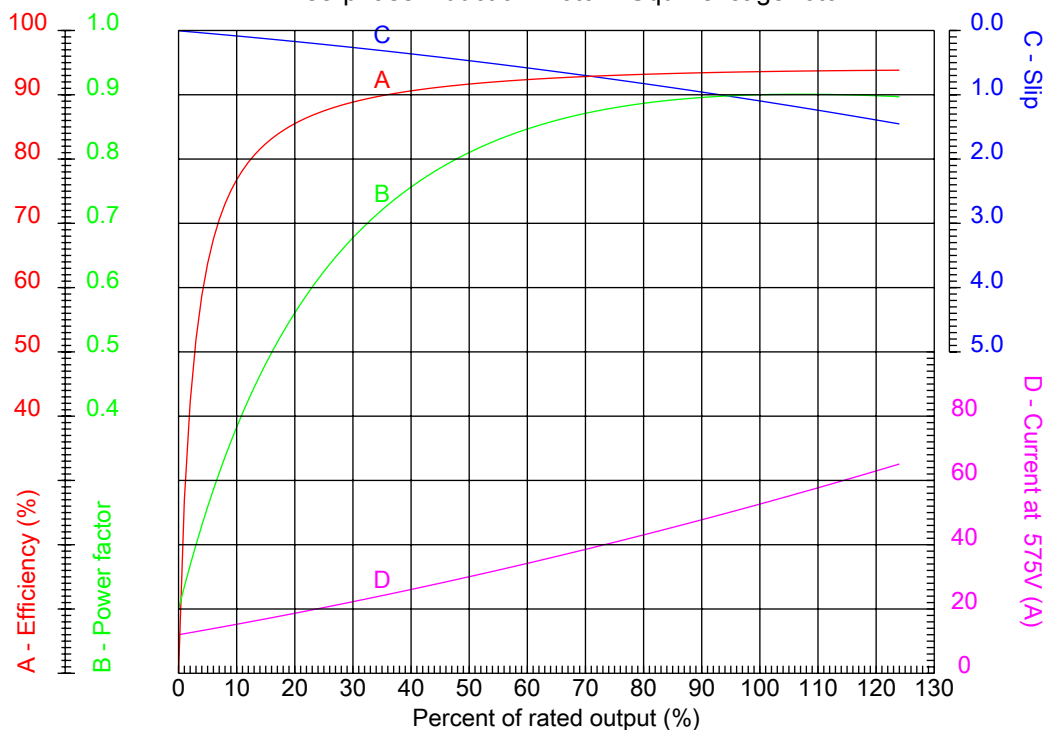
Checked



No.:

Date: 27-DEC-2012

PERFORMANCE CURVES RELATED TO RATED OUTPUT Three-phase induction motor - Squirrel cage rotor



Customer :
Product line : Three-Phase: W22 IEEE-841™ Petrochem Motors - NEMA Premium® Efficiency

Frame	: 364/5TS	Locked rotor current (I _l /I _n)	: 6.6
Output	: 60 HP	Duty cycle	: S1
Frequency	: 60 Hz	Service factor	: 1.25
Full load speed	: 3560	Design	: B
Voltage	: 575 V	Locked rotor torque	: 200 %
Rated current	: 53.6 A	Breakdown torque	: 260 %
Insulation class	: F		

Notes:

Performed by

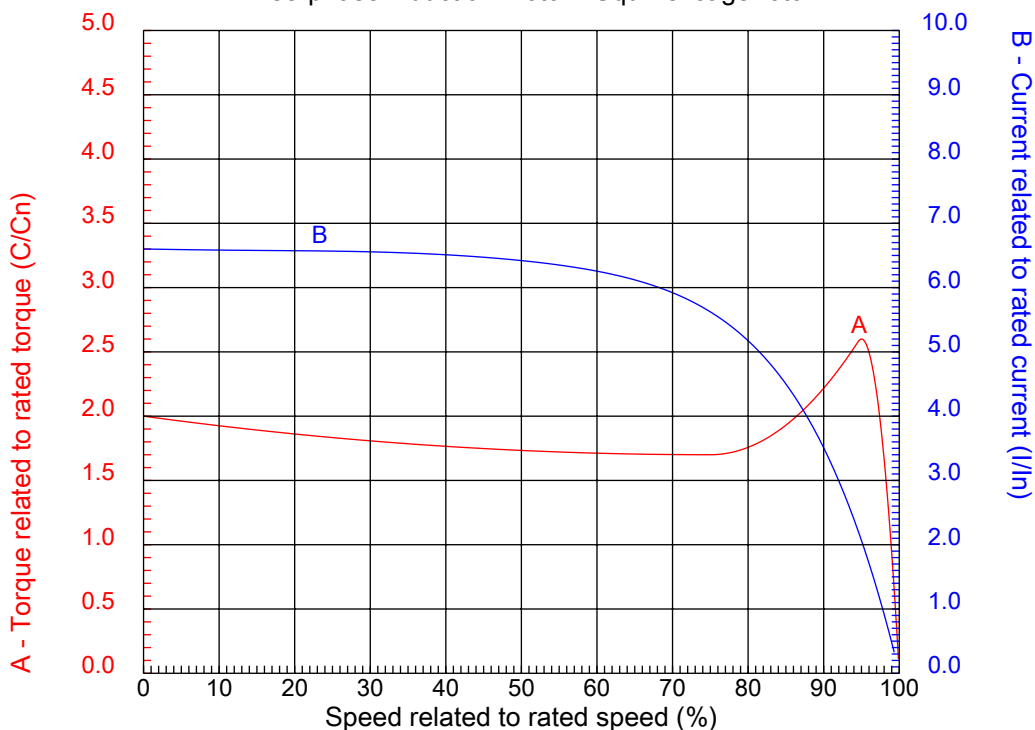
Checked



No.:

Date: 27-DEC-2012

CHARACTERISTIC CURVES RELATED TO SPEED Three-phase induction motor - Squirrel cage rotor



Customer :
Product line : Three-Phase: W22 IEEE-841™ Petrochem Motors - NEMA Premium® Efficiency

Frame	: 364/5TS	Locked rotor current (I _l /I _n)	: 6.6
Output	: 60 HP	Duty cycle	: S1
Frequency	: 60 Hz	Service factor	: 1.25
Full load speed	: 3560	Design	: B
Voltage	: 575 V	Locked rotor torque	: 200 %
Rated current	: 53.6 A	Breakdown torque	: 260 %
Insulation class	: F		

Notes:

Performed by

Checked

1 2 3 4 5 6 7 8

A

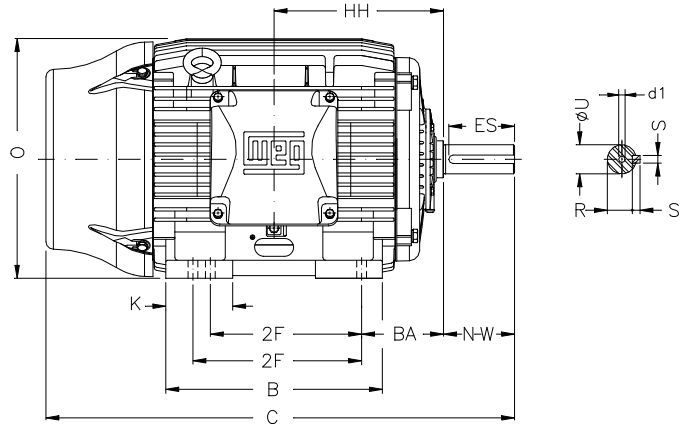
B

C

D

E

F



Notes:

Performed by:

Checked:

Customer:

Three-Phase: W22 IEEE-841™ Petrochem Motors - NEMA Premium® Efficiency

Three-phase induction motor
Frame 364/5TS - IP55

27-DEC-2012



2E 14.016	J 3.150	A 17.165	P 17.914	AB 16.023
2F 11.260/12.244	K 4.921	B 15.760	BA 5.875	U 1.875
N-W 3.748	ES 1.968	S 0.500	R 1.591	depth 0.500
D 9.000	G 1.480	HB 2.992	O 17.957	T 3.578
HD 21.535	HH 12.362	HK 6.023	H 0.660	C 32.276
LL 10.590	LM 11.181	AA NPT 3"	d1 DUNC 3/4"-10	d2 DUNC 3/4"-10
Flange FD-406	AJ 16.000	AK 14.000	BD 17.71	BF 0.828
BB 0.203				