



No.:

Date: 27-DEC-2012

Customer :

TECHNICAL PROPOSAL

Three-phase induction motor - Squirrel cage rotor

Product line : Close Coupled Pump: Three-Phase - W22 "JP" Type - TEFC - NEMA Premium

Catalog Number : 07512ET3E405JP-W22

List Price : \$14,005

Notes:

Performed by:

Checked:



No.:

Date: 27-DEC-2012

## DATA SHEET

### Three-phase induction motor - Squirrel cage rotor

Customer :  
 Product line : Close Coupled Pump: Three-Phase - W22 "JP" Type - TEFC - NEMA Premium

Frame : 404/5JP  
 Output : 75 HP  
 Frequency : 60 Hz  
 Poles : 6  
 Full load speed : 1180  
 Slip : 1.67 %  
 Voltage : 208-230/460 V  
 Rated current : 188-170/84.9 A  
 Locked rotor current : 1090/543 A  
 Locked rotor current (I<sub>L</sub>/I<sub>n</sub>) : 6.4  
 No-load current : 60.0/30.0 A  
 Full load torque : 329 lb.ft  
 Locked rotor torque : 200 %  
 Breakdown torque : 230 %  
 Design : B  
 Insulation class : F  
 Temperature rise : 80 K  
 Locked rotor time : 17 s (hot)  
 Service factor : 1.25  
 Duty cycle : S1  
 Ambient temperature : -20°C - +40°C  
 Altitude : 1000  
 Degree of Protection : IP55  
 Approximate weight : 1089 lb  
 Moment of inertia : 40.209 sq.ft.lb  
 Noise level : 68 dB(A)

	D.E.	N.D.E.	Load	Power factor	Efficiency (%)
Bearings	6314 C3	6314 C3	100%	0.86	94.5
Regreasing interval	17000 h	17000 h	75%	0.83	94.5
Grease amount	27 g	27 g	50%	0.74	94.1

Notes:

Performed by

Checked

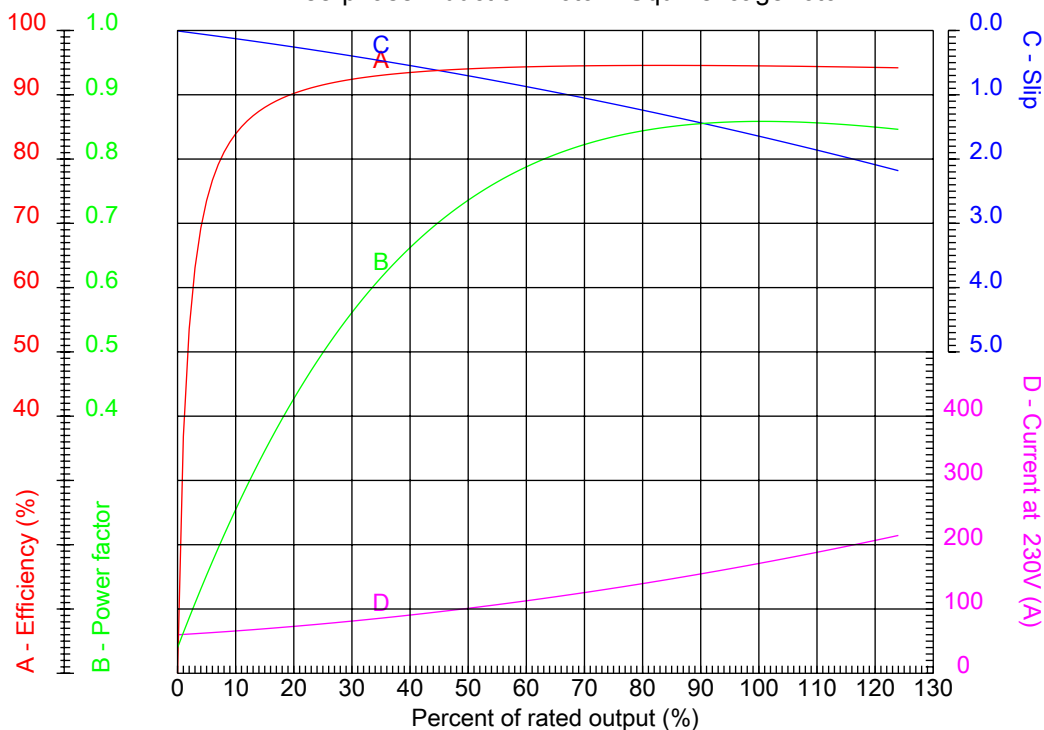


No.:

Date: 27-DEC-2012

### PERFORMANCE CURVES RELATED TO RATED OUTPUT

Three-phase induction motor - Squirrel cage rotor



Customer :  
Product line : Close Coupled Pump: Three-Phase - W22 "JP" Type - TEFC - NEMA Premium

Frame	: 404/5JP	Locked rotor current (I <sub>l</sub> /I <sub>n</sub> )	: 6.4
Output	: 75 HP	Duty cycle	: S1
Frequency	: 60 Hz	Service factor	: 1.25
Full load speed	: 1180	Design	: B
Voltage	: 208-230/460 V	Locked rotor torque	: 200 %
Rated current	: 188-170/84.9 A	Breakdown torque	: 230 %
Insulation class	: F		

Notes:

Performed by

Checked

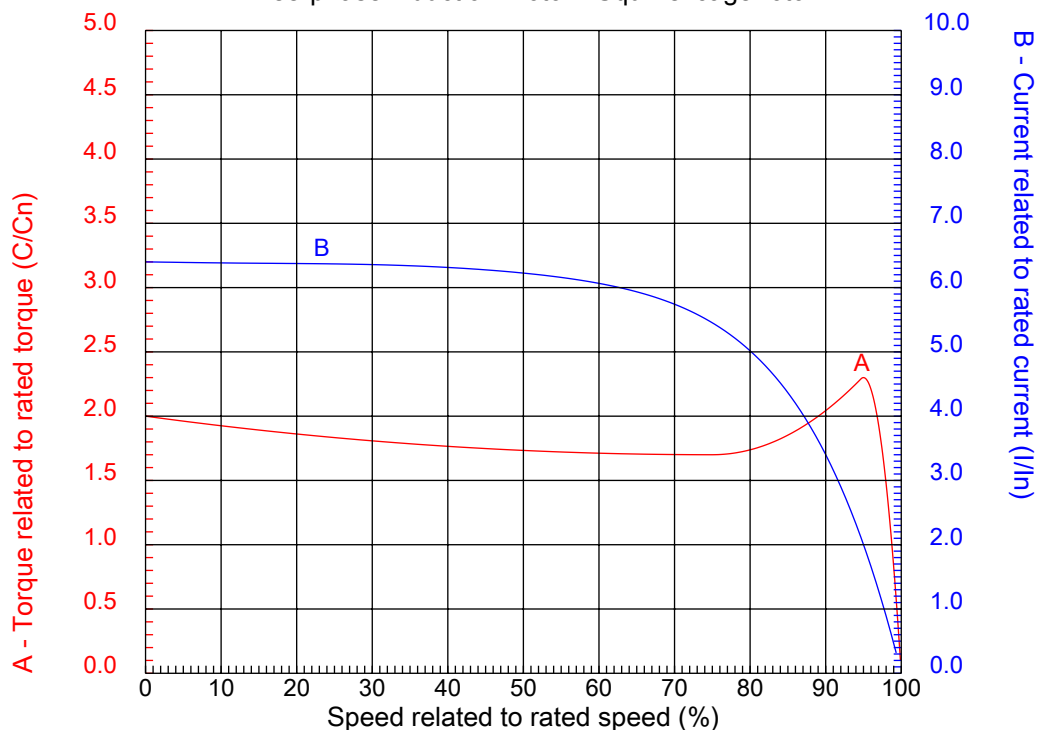


No.:

Date: 27-DEC-2012

### CHARACTERISTIC CURVES RELATED TO SPEED

Three-phase induction motor - Squirrel cage rotor



Customer :  
Product line : Close Coupled Pump: Three-Phase - W22 "JP" Type - TEFC - NEMA Premium

Frame	: 404/5JP	Locked rotor current (I <sub>l</sub> /I <sub>n</sub> )	: 6.4
Output	: 75 HP	Duty cycle	: S1
Frequency	: 60 Hz	Service factor	: 1.25
Full load speed	: 1180	Design	: B
Voltage	: 208-230/460 V	Locked rotor torque	: 200 %
Rated current	: 188-170/84.9 A	Breakdown torque	: 230 %
Insulation class	: F		

Notes:

Performed by

Checked

1 2 3 4 5 6 7 8

A

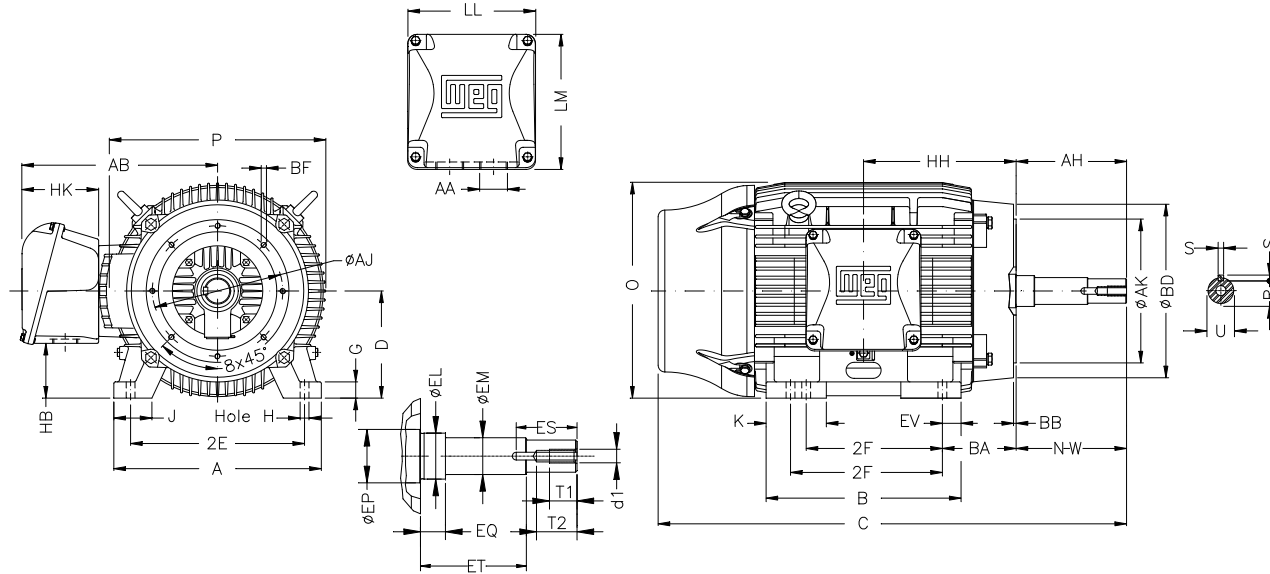
B

C

D

E

F



Notes:

Performed by:

Checked:

Customer:

Close Coupled Pump: Three-Phase - W22 "JP" Type - TEFC - NEMA Premium

Three-phase induction motor  
Frame 404/5JP - IP55

27-DEC-2012



2E 15.984	J 3.937	A 19.921	P 19.134	AB 16.378
2F 12.244/13.740	K 5.669	B 18.386	BA 6.625	D 10.000
G 1.811	O 19.566	T 3.544	HD 23.110	H 0.810
AA NPT 3"	ER 8.130	EQ 2.382	ET 5.886	U 1.624
EM 1.750	EL 2.125	EP 2.756	ES 2.480	t1 0.984
t2 1.496	C 38.911	Flange FC-279	AJ 11.000	AK 12.500
BD 15.562	BF UNC 5/8"x11	BB 0.248	BC ---	AH 8.130