



No.:

Date: 28-DEC-2012

Customer :

TECHNICAL PROPOSAL

Three-phase induction motor - Squirrel cage rotor

Product line : Oil Well Pumping : High Slip - NEMA Design "D" - TEFC (IP55)

Catalog Number : 10012ES3EOW445T

List Price : \$18,074

Notes:

Performed by:

Checked:



No.:

Date: 28-DEC-2012

DATA SHEET

Three-phase induction motor - Squirrel cage rotor

Customer :
Product line : Oil Well Pumping : High Slip - NEMA Design "D" - TEFC (IP55)

Frame : 445T
Output : 100 HP
Frequency : 60 Hz
Poles : 6
Full load speed : 1130
Slip : 5.83 %
Voltage : 208-230/460 V
Rated current : 265-240/120 A
Locked rotor current : 1630/816 A
Locked rotor current (I_L/I_n) : 6.8
No-load current : 90.0/45.0 A
Full load torque : 458 lb.ft
Locked rotor torque : 300 %
Breakdown torque : 0 %
Design : D
Insulation class : F
Temperature rise : 80 K
Locked rotor time : 26 s (hot)
Service factor : 1.15
Duty cycle : S1
Ambient temperature : -20°C - +40°C
Altitude : 1000
Degree of Protection : IP55
Approximate weight : 1897 lb
Moment of inertia : 103.62 sq.ft.lb
Noise level : 70 dB(A)

	D.E.	N.D.E.	Load	Power factor	Efficiency (%)
Bearings	NU-319 C3	6316 C3	100%	0.87	90.2
Regreasing interval	7683 h	12823 h	75%	0.85	89.5
Grease amount	45 g	34 g	50%	0.75	88.5

Notes:

Performed by

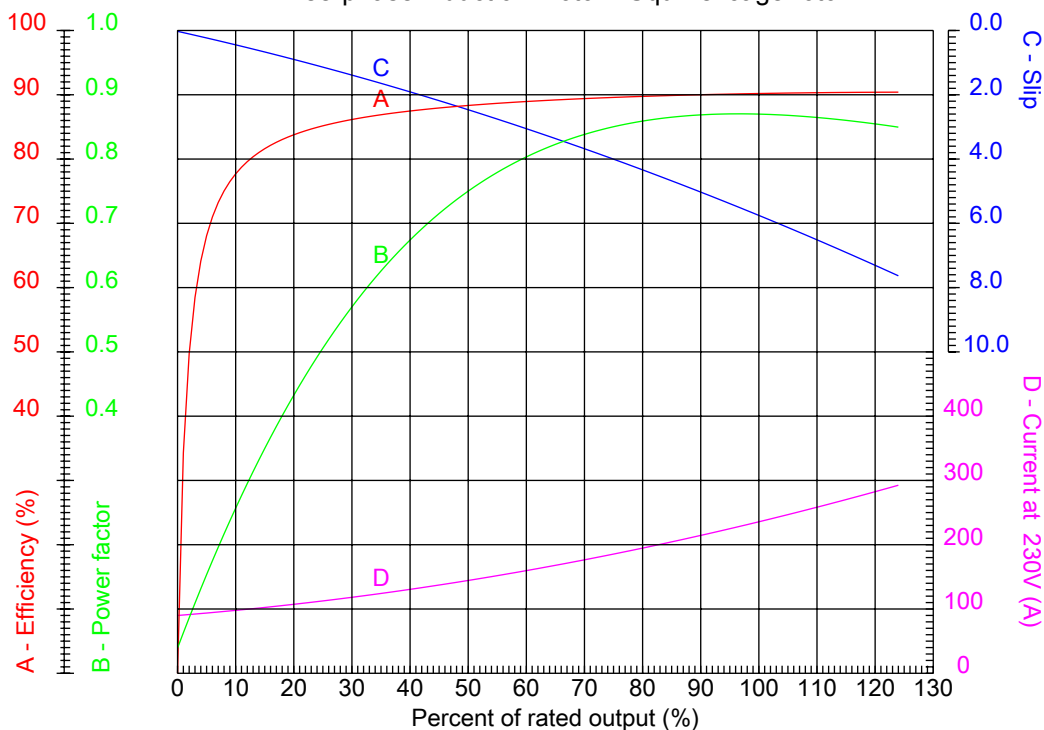
Checked



No.:

Date: 28-DEC-2012

PERFORMANCE CURVES RELATED TO RATED OUTPUT
Three-phase induction motor - Squirrel cage rotor



Customer :
Product line : Oil Well Pumping : High Slip - NEMA Design "D" - TEFC (IP55)

Frame	: 445T	Locked rotor current (I _l /I _n)	: 6.8
Output	: 100 HP	Duty cycle	: S1
Frequency	: 60 Hz	Service factor	: 1.15
Full load speed	: 1130	Design	: D
Voltage	: 208-230/460 V	Locked rotor torque	: 300 %
Rated current	: 265-240/120 A	Breakdown torque	: 0 %
Insulation class	: F		

Notes:

Performed by

Checked

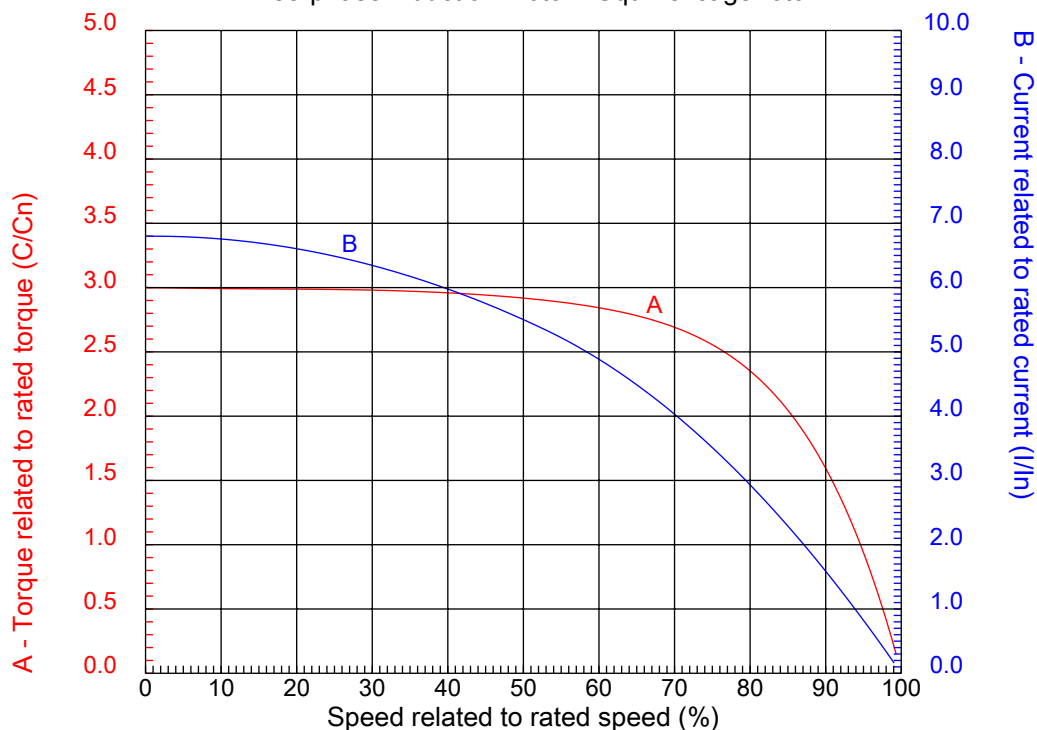


No.:

Date: 28-DEC-2012

CHARACTERISTIC CURVES RELATED TO SPEED

Three-phase induction motor - Squirrel cage rotor



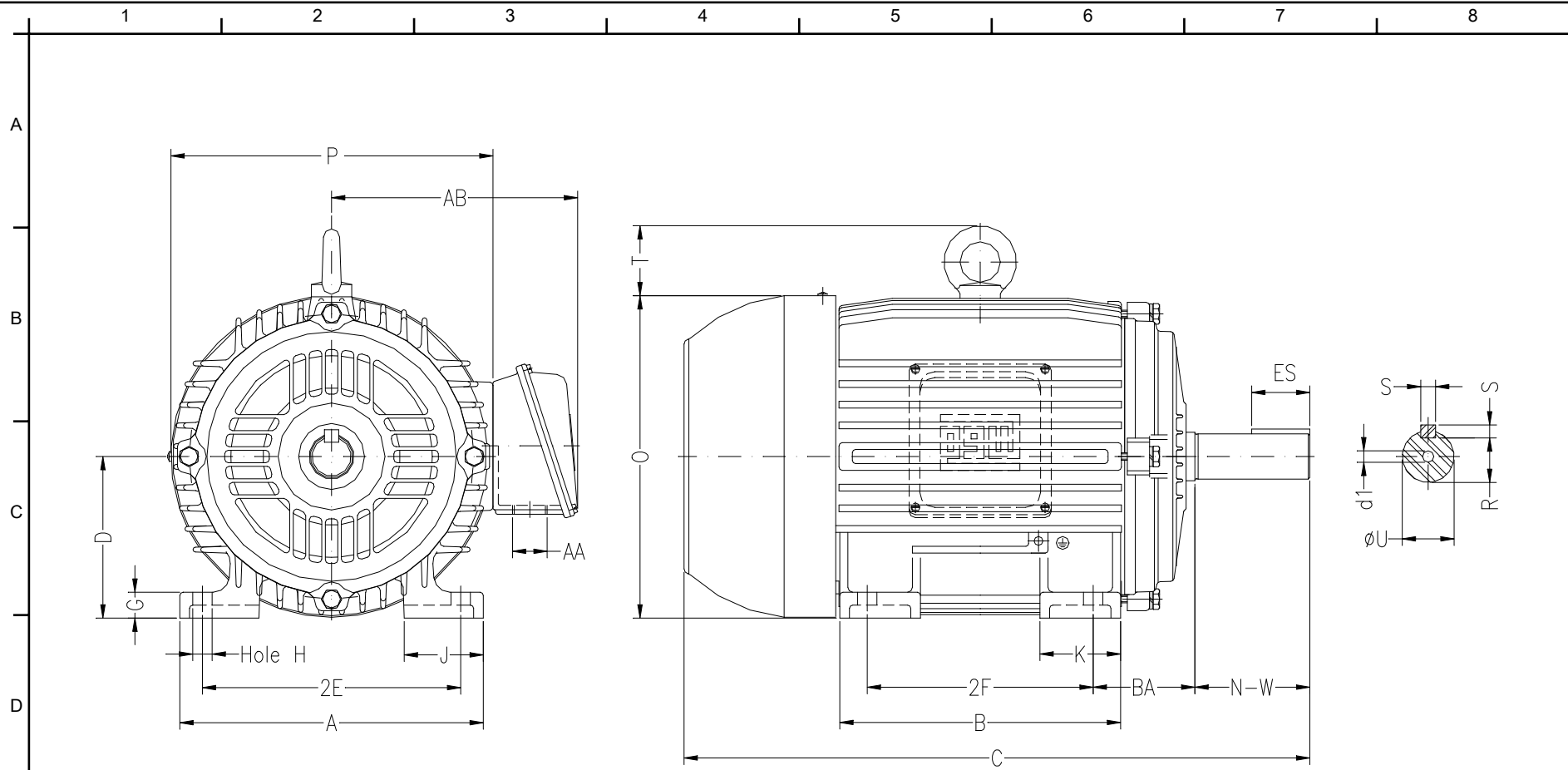
Customer :
Product line : Oil Well Pumping : High Slip - NEMA Design "D" - TEFC (IP55)

Frame	: 445T	Locked rotor current (I _l /I _n)	: 6.8
Output	: 100 HP	Duty cycle	: S1
Frequency	: 60 Hz	Service factor	: 1.15
Full load speed	: 1130	Design	: D
Voltage	: 208-230/460 V	Locked rotor torque	: 300 %
Rated current	: 265-240/120 A	Breakdown torque	: 0 %
Insulation class	: F		

Notes:

Performed by

Checked



Notes:

2E 18.000	A 21.929	2F 14.500/16.500	B 20.079	BA 7.500
J 3.937	K 5.591	P 23.622	ES 7.087	depth 0.875
S 0.875	N-W 8.500	U 3.375	R 2.880	AB 19.213
D 11.000	G 1.630	O 22.713	T 3.543	HD 26.256
F H 0.807	C 43.776	AA 2XNPT 3"	d1 DUNC 3/4"-10	d2 DUNC 3/4"-10
Flange FD-508	AJ 20.000	AK 18.000	BD 21.653	BF 0.828
BB 0.203				

Performed by:

Checked:

Customer:

Oil Well Pumping : High Slip - NEMA Design "D" - TEFC (IP55)

Three-phase induction motor
Frame 445T - IP55

28-DEC-2012

