



No.:

Date: 27-DEC-2012

Customer :

TECHNICAL PROPOSAL

Three-phase induction motor - Squirrel cage rotor

Product line : Three-Phase: W22 IEEE-841™ Petrochem Motors - NEMA Premium® Efficiency

Catalog Number : 10018ST3HIE405T-W22

List Price : \$12,471

Notes:

Performed by:

Checked:



No.:

Date: 27-DEC-2012

DATA SHEET

Three-phase induction motor - Squirrel cage rotor

Customer :
Product line : Three-Phase: W22 IEEE-841™ Petrochem Motors - NEMA Premium® Efficiency

Frame : 404/5T
Output : 100 HP
Frequency : 60 Hz
Poles : 4
Full load speed : 1775
Slip : 1.39 %
Voltage : 575 V
Rated current : 88.8 A
Locked rotor current : 586 A
Locked rotor current (I_L/I_n) : 6.6
No-load current : 30.4 A
Full load torque : 292 lb.ft
Locked rotor torque : 240 %
Breakdown torque : 260 %
Design : B
Insulation class : F
Temperature rise : 80 K
Locked rotor time : 13 s (hot)
Service factor : 1.25
Duty cycle : S1
Ambient temperature : -20°C - +40°C
Altitude : 1000
Degree of Protection : IP55
Approximate weight : 1140 lb
Moment of inertia : 29.894 sq.ft.lb
Noise level : 68 dB(A)

	D.E.	N.D.E.	Load	Power factor	Efficiency (%)
Bearings	6316 C3	6314 C3	100%	0.88	95.4
Regreasing interval	10000 h	12000 h	75%	0.84	95.0
Grease amount	34 g	27 g	50%	0.77	95.0

Notes:

Performed by

Checked

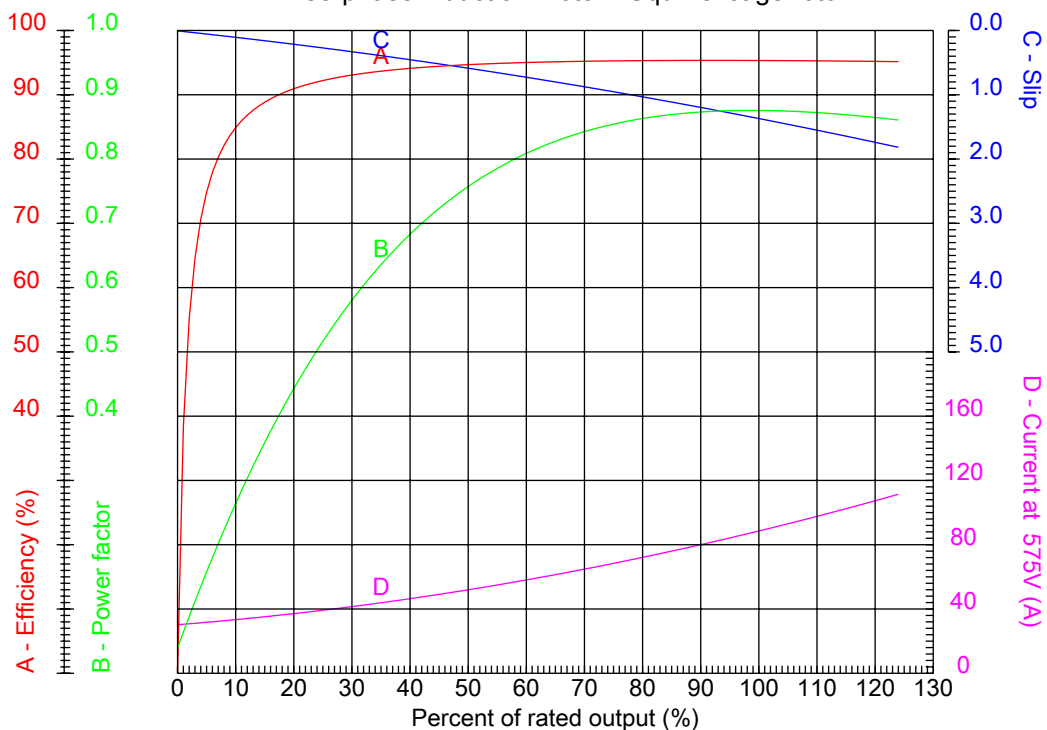


No.:

Date: 27-DEC-2012

PERFORMANCE CURVES RELATED TO RATED OUTPUT

Three-phase induction motor - Squirrel cage rotor



Customer :
Product line : Three-Phase: W22 IEEE-841™ Petrochem Motors - NEMA Premium® Efficiency

Frame : 404/5T	Locked rotor current (I _l /I _n) : 6.6
Output : 100 HP	Duty cycle : S1
Frequency : 60 Hz	Service factor : 1.25
Full load speed : 1775	Design : B
Voltage : 575 V	Locked rotor torque : 240 %
Rated current : 88.8 A	Breakdown torque : 260 %
Insulation class : F	

Notes:

Performed by

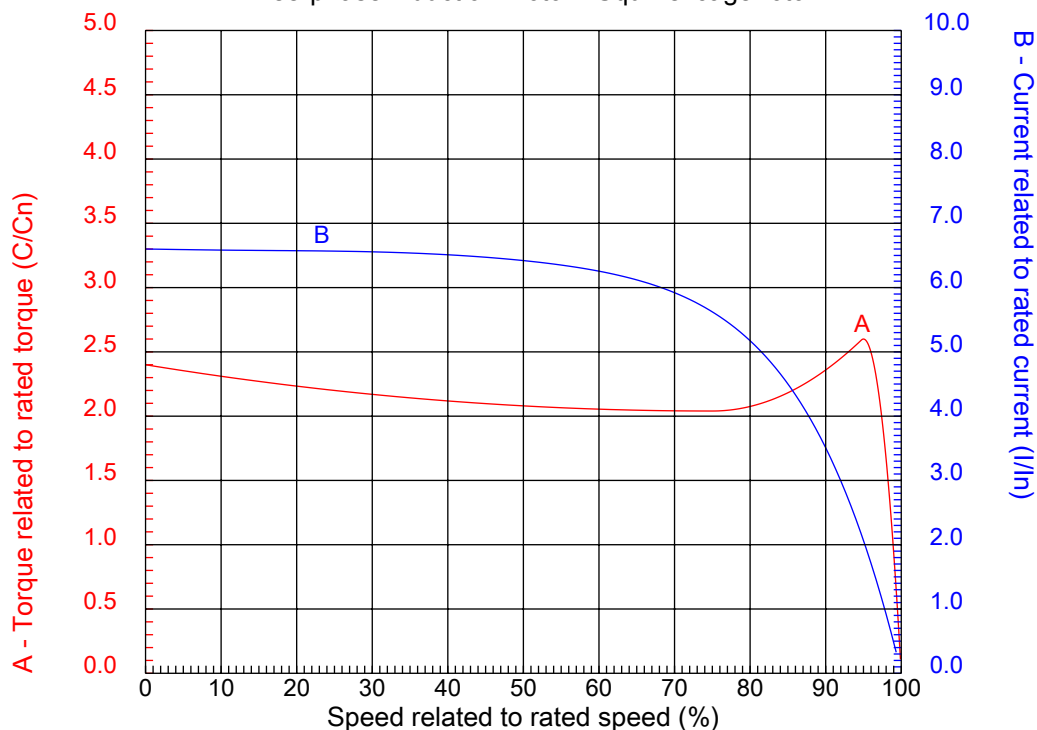
Checked



No.:

Date: 27-DEC-2012

CHARACTERISTIC CURVES RELATED TO SPEED Three-phase induction motor - Squirrel cage rotor



Customer :
Product line : Three-Phase: W22 IEEE-841™ Petrochem Motors - NEMA Premium® Efficiency

Frame	: 404/5T	Locked rotor current (I _l /I _n)	: 6.6
Output	: 100 HP	Duty cycle	: S1
Frequency	: 60 Hz	Service factor	: 1.25
Full load speed	: 1775	Design	: B
Voltage	: 575 V	Locked rotor torque	: 240 %
Rated current	: 88.8 A	Breakdown torque	: 260 %
Insulation class	: F		

Notes:

Performed by

Checked

1 2 3 4 5 6 7 8

A

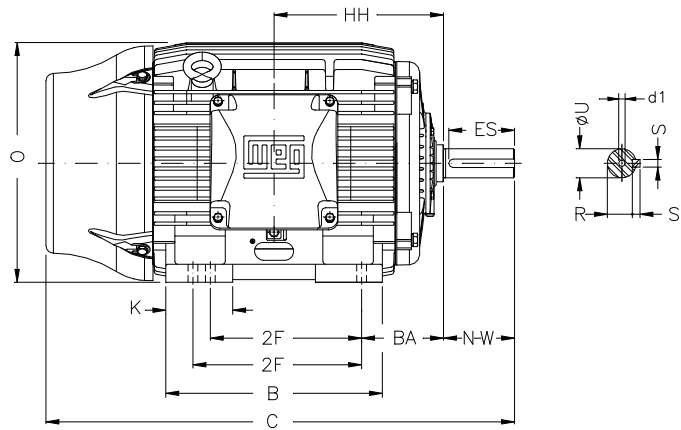
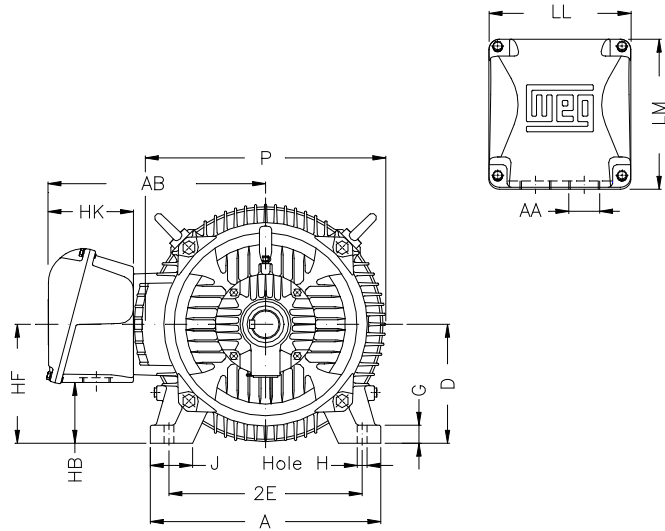
B

C

D

E

F



2E	J	A	P	AB
15.984	3.937	19.921	19.134	16.023
2F	K	B	BA	U
12.244/13.740	5.669	18.386	6.625	2.875
N-W	ES	S	R	depth
7.250	5.708	0.750	2.449	0.750
D	G	HB	O	T
10.000	1.811	3.977	19.566	3.544
HD	HH	HK	H	C
23.110	14.213	6.023	0.810	39.730
LL	LM	AA	d1	d2
10.590	11.181	NPT 3"	DUNC 3/4"-10	DUNC 3/4"-10
Flange	AJ	AK	BD	BF
FD-508	20.000	18.000	22.00	0.828
BB				
0.203				

Notes:

Performed by:

Checked:

Customer:

Three-Phase: W22 IEEE-841™ Petrochem Motors - NEMA Premium® Efficiency

Three-phase induction motor
Frame 404/5T - IP55

27-DEC-2012

