



No.:

Date: 27-DEC-2012

Customer :

TECHNICAL PROPOSAL

Three-phase induction motor - Squirrel cage rotor

Product line : Three-Phase : Explosion Proof - NEMA Premium

Catalog Number : 10018XT3G405T

List Price : \$14,206

Notes:

Performed by:

Checked:



No.:

Date: 27-DEC-2012

DATA SHEET

Three-phase induction motor - Squirrel cage rotor

Customer :
Product line : Three-Phase : Explosion Proof - NEMA Premium

Frame : 404/5T
Output : 100 HP
Frequency : 60 Hz
Poles : 4
Full load speed : 1780
Slip : 1.11 %
Voltage : 460 V
Rated current : 113 A
Locked rotor current : 814 A
Locked rotor current (I_L/I_n) : 7.2
No-load current : 43.0 A
Full load torque : 291 lb.ft
Locked rotor torque : 270 %
Breakdown torque : 300 %
Design : B
Insulation class : F
Temperature rise : 80 K
Locked rotor time : 13 s (hot)
Service factor : 1.15
Duty cycle : S1
Ambient temperature : -20°C - +40°C
Altitude : 1000
Degree of Protection : IP54
Approximate weight : 1222 lb
Moment of inertia : 26.405 sq.ft.lb
Noise level : 75 dB(A)

	D.E.	N.D.E.	Load	Power factor	Efficiency (%)
Bearings	6217 C3	6314 C3	100%	0.87	95.4
Regreasing interval	9149 h	9789 h	75%	0.82	95.0
Grease amount	21 g	27 g	50%	0.72	94.5

Notes:

Performed by

Checked

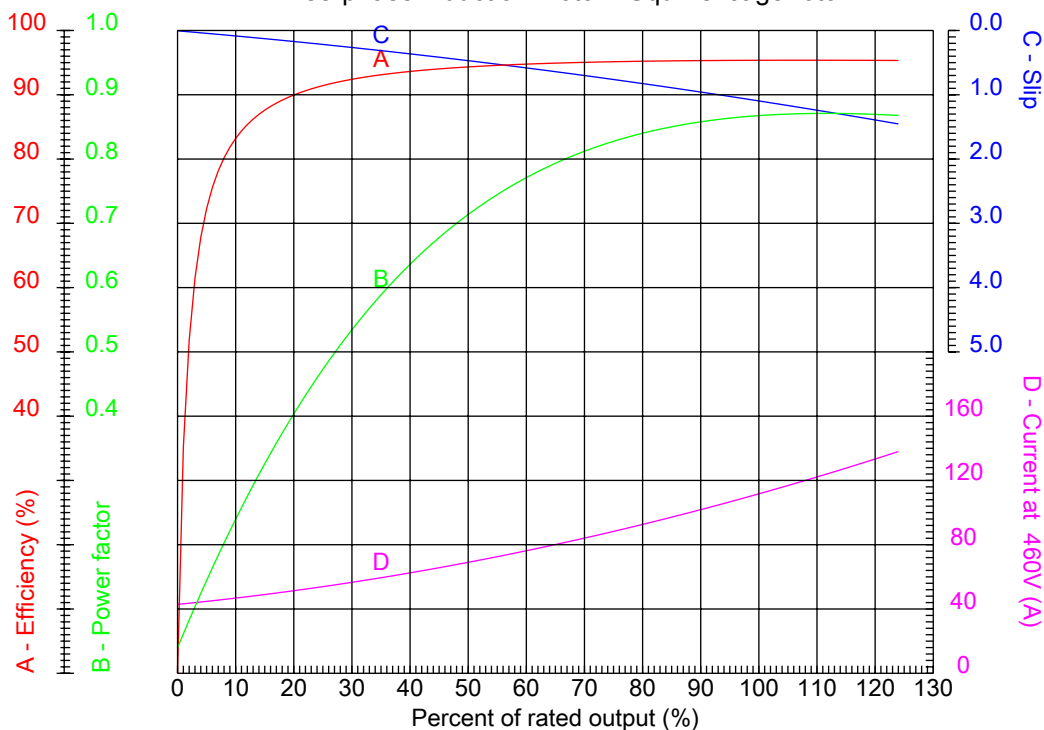


No.:

Date: 27-DEC-2012

PERFORMANCE CURVES RELATED TO RATED OUTPUT

Three-phase induction motor - Squirrel cage rotor



Customer :
Product line : Three-Phase : Explosion Proof - NEMA Premium

Frame	: 404/5T	Locked rotor current (I _l /I _n)	: 7.2
Output	: 100 HP	Duty cycle	: S1
Frequency	: 60 Hz	Service factor	: 1.15
Full load speed	: 1780	Design	: B
Voltage	: 460 V	Locked rotor torque	: 270 %
Rated current	: 113 A	Breakdown torque	: 300 %
Insulation class	: F		

Notes:

Performed by

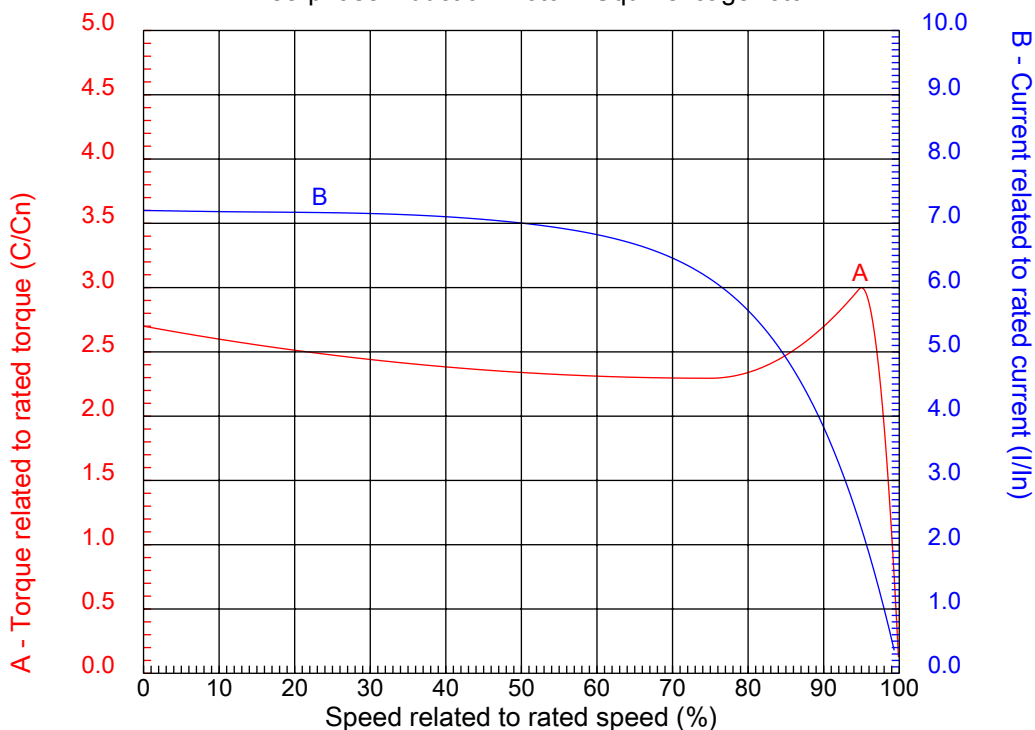
Checked



No.:

Date: 27-DEC-2012

CHARACTERISTIC CURVES RELATED TO SPEED Three-phase induction motor - Squirrel cage rotor



Customer :
Product line : Three-Phase : Explosion Proof - NEMA Premium

Frame	: 404/5T	Locked rotor current (I _l /I _n)	: 7.2
Output	: 100 HP	Duty cycle	: S1
Frequency	: 60 Hz	Service factor	: 1.15
Full load speed	: 1780	Design	: B
Voltage	: 460 V	Locked rotor torque	: 270 %
Rated current	: 113 A	Breakdown torque	: 300 %
Insulation class	: F		

Notes:

Performed by

Checked

1 2 3 4 5 6 7 8

A

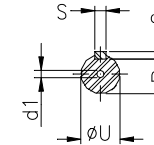
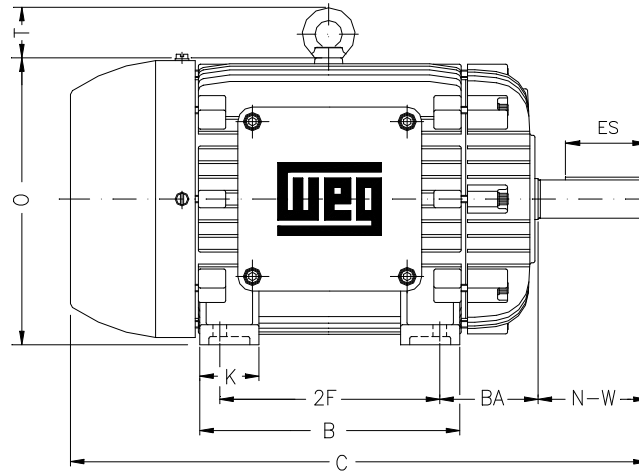
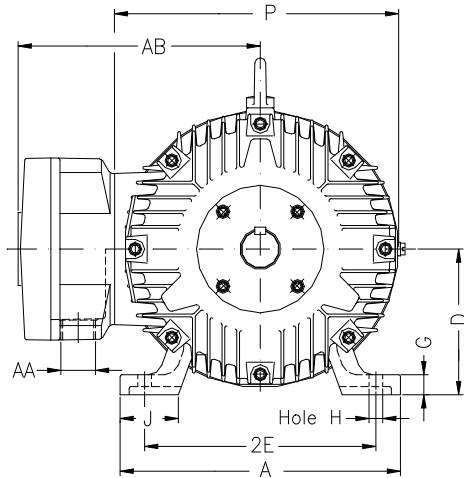
B

C

D

E

F



Notes:

Performed by:

Checked:

Customer:

Three-Phase : Explosion Proof - NEMA Premium

Three-phase induction motor
Frame 404/5T - IP54

27-DEC-2012



2E 16.000	A 19.921	2F 12.250/13.752	B 17.520	BA 6.625
J 3.937	K 5.433	P 18.583	ES 5.512	depth 0.750
S 0.750	N-W 7.250	U 2.875	R 2.449	AB 16.654
D 10.000	G 1.812	O 19.843	HD 22.638	H 0.807
C 38.074	AA NPT 3"	d1 DUNC 3/4"-10	d2 DUNC 3/4"-10	T 2.795
Flange FD-508	AJ 20.000	AK 18.000	BD 21.656	BF 0.828
BB 0.203				