



No.:

Date: 27-DEC-2012

Customer :

TECHNICAL PROPOSAL

Three-phase induction motor - Squirrel cage rotor

Product line : Close Coupled Pump: Three-Phase - W22 "JP" Type - TEFC - NEMA Premium

Catalog Number : 10036ET3E405JP-W22

List Price : \$13,949

Notes:

Performed by:

Checked:



No.:

Date: 27-DEC-2012

## DATA SHEET

### Three-phase induction motor - Squirrel cage rotor

Customer :  
Product line : Close Coupled Pump: Three-Phase - W22 "JP" Type - TEFC - NEMA Premium

Frame : 404/5JP  
Output : 100 HP  
Frequency : 60 Hz  
Poles : 2  
Full load speed : 3555  
Slip : 1.25 %  
Voltage : 208-230/460 V  
Rated current : 243-220/110 A  
Locked rotor current : 1430/715 A  
Locked rotor current (I<sub>L</sub>/I<sub>n</sub>) : 6.5  
No-load current : 52.0/26.0 A  
Full load torque : 146 lb.ft  
Locked rotor torque : 200 %  
Breakdown torque : 240 %  
Design : B  
Insulation class : F  
Temperature rise : 80 K  
Locked rotor time : 14 s (hot)  
Service factor : 1.25  
Duty cycle : S1  
Ambient temperature : -20°C - +40°C  
Altitude : 1000  
Degree of Protection : IP55  
Approximate weight : 1045 lb  
Moment of inertia : 13.196 sq.ft.lb  
Noise level : 79 dB(A)

	D.E.	N.D.E.	Load	Power factor	Efficiency (%)
Bearings	6314 C3	6314 C3	100%	0.91	94.1
Regreasing interval	4000 h	4000 h	75%	0.90	94.1
Grease amount	27 g	27 g	50%	0.85	93.0

Notes:

Performed by

Checked

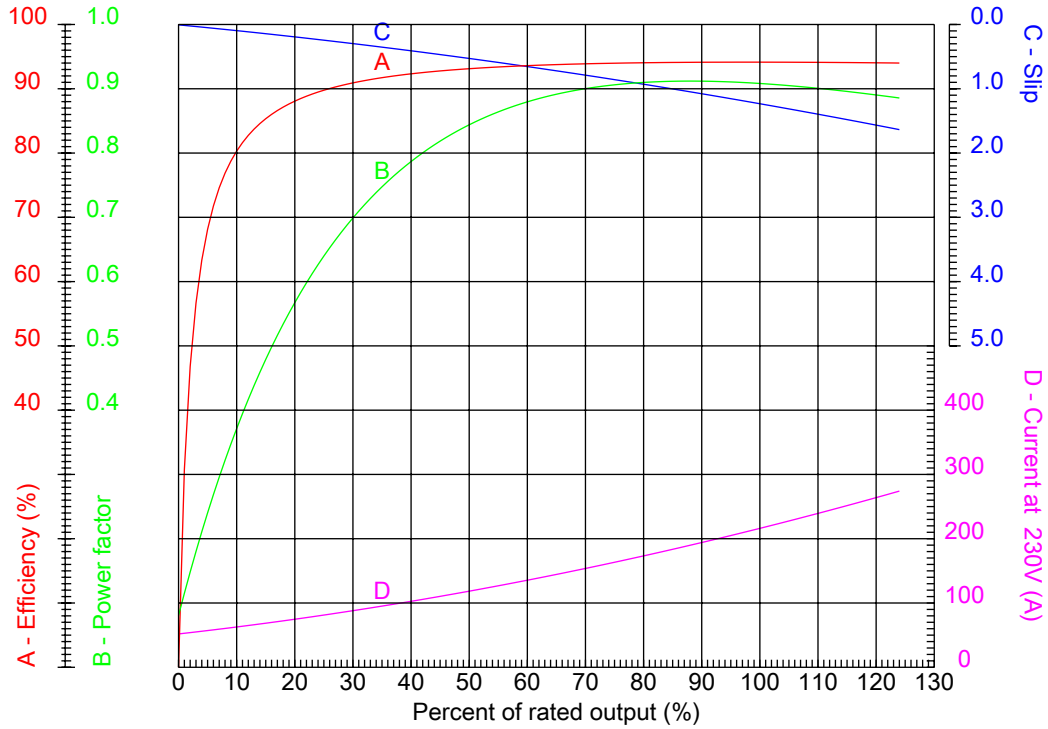


No.:

Date: 27-DEC-2012

### PERFORMANCE CURVES RELATED TO RATED OUTPUT

Three-phase induction motor - Squirrel cage rotor



Customer :  
Product line : Close Coupled Pump: Three-Phase - W22 "JP" Type - TEFC - NEMA Premium

Frame	: 404/5JP	Locked rotor current (I <sub>l</sub> /I <sub>n</sub> )	: 6.5
Output	: 100 HP	Duty cycle	: S1
Frequency	: 60 Hz	Service factor	: 1.25
Full load speed	: 3555	Design	: B
Voltage	: 208-230/460 V	Locked rotor torque	: 200 %
Rated current	: 243-220/110 A	Breakdown torque	: 240 %
Insulation class	: F		

Notes:

Performed by

Checked

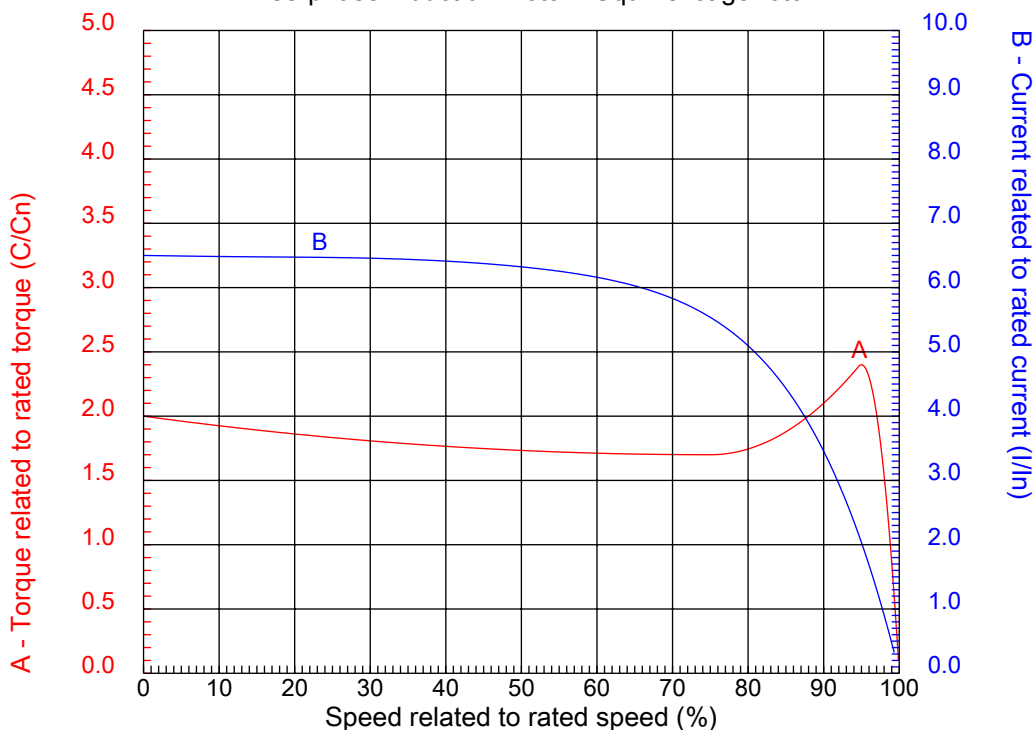


No.:

Date: 27-DEC-2012

### CHARACTERISTIC CURVES RELATED TO SPEED

Three-phase induction motor - Squirrel cage rotor



Customer :  
Product line : Close Coupled Pump: Three-Phase - W22 "JP" Type - TEFC - NEMA Premium

Frame	: 404/5JP	Locked rotor current (I <sub>l</sub> /I <sub>n</sub> )	: 6.5
Output	: 100 HP	Duty cycle	: S1
Frequency	: 60 Hz	Service factor	: 1.25
Full load speed	: 3555	Design	: B
Voltage	: 208-230/460 V	Locked rotor torque	: 200 %
Rated current	: 243-220/110 A	Breakdown torque	: 240 %
Insulation class	: F		

Notes:

Performed by

Checked

1 2 3 4 5 6 7 8

A

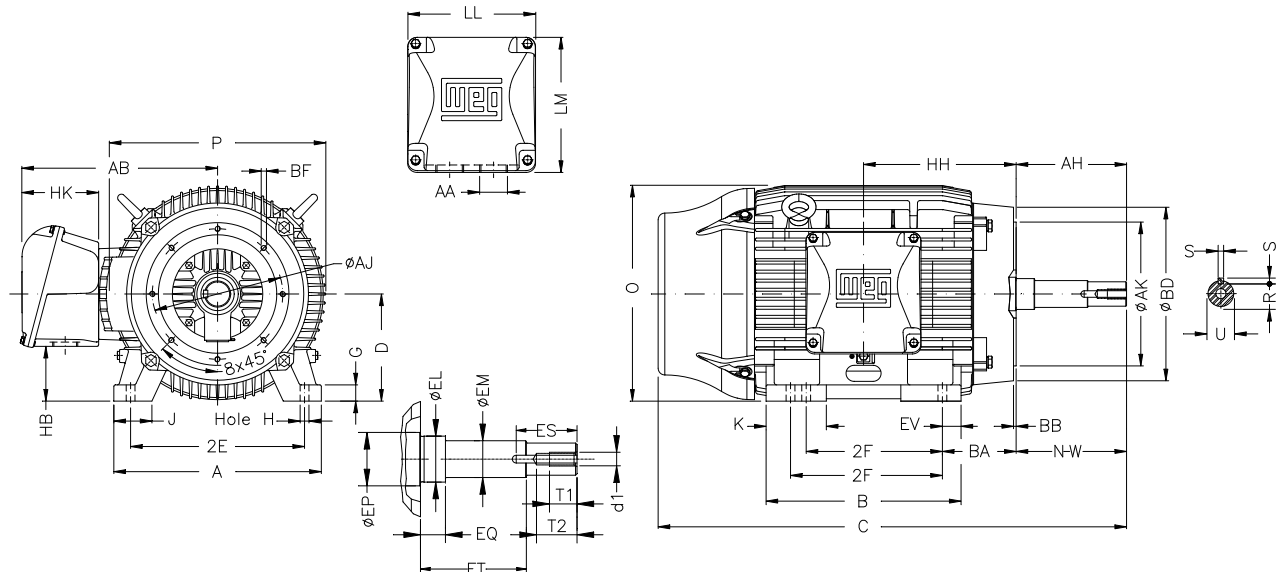
B

C

D

E

F



Notes:

2E 15.984	J 3.937	A 19.921	P 19.134	AB 16.378
2F 12.244/13.740	K 5.669	B 18.386	BA 6.625	D 10.000
G 1.811	O 19.566	T 3.544	HD 23.110	H 0.810
AA NPT 3"	ER 8.130	EQ 2.382	ET 5.886	U 1.624
EM 1.750	EL 2.125	EP 2.756	ES 2.480	t1 0.984
t2 1.496	C 38.911	Flange FC-279	AJ 11.000	AK 12.500
BD 15.562	BF UNC 5/8"x11	BB 0.248	BC ---	AH 8.130

Performed by:

Checked:

Customer:

Close Coupled Pump: Three-Phase - W22 "JP" Type - TEFC - NEMA Premium

Three-phase induction motor  
Frame 404/5JP - IP55

27-DEC-2012

