



No.:

Date: 27-DEC-2012

Customer :

TECHNICAL PROPOSAL

Three-phase induction motor - Squirrel cage rotor

Product line : Close Coupled Pump: Three-Phase - W22 "JP" Type - TEFC - NEMA Premium

Catalog Number : 10036ET3G405JP-W22

List Price : \$13,949

Notes:

Performed by:

Checked:



No.:

Date: 27-DEC-2012

DATA SHEET

Three-phase induction motor - Squirrel cage rotor

Customer :
Product line : Close Coupled Pump: Three-Phase - W22 "JP" Type - TEFC - NEMA Premium

Frame : 404/5JP
Output : 100 HP
Frequency : 60 Hz
Poles : 2
Full load speed : 3555
Slip : 1.25 %
Voltage : 460 V
Rated current : 110 A
Locked rotor current : 715 A
Locked rotor current (I_L/I_n) : 6.5
No-load current : 26.0 A
Full load torque : 146 lb.ft
Locked rotor torque : 200 %
Breakdown torque : 240 %
Design : B
Insulation class : F
Temperature rise : 80 K
Locked rotor time : 14 s (hot)
Service factor : 1.25
Duty cycle : S1
Ambient temperature : -20°C - +40°C
Altitude : 1000
Degree of Protection : IP55
Approximate weight : 1045 lb
Moment of inertia : 13.196 sq.ft.lb
Noise level : 79 dB(A)

| | D.E. | N.D.E. | Load | Power factor | Efficiency (%) |
|---------------------|---------|---------|------|--------------|----------------|
| Bearings | 6314 C3 | 6314 C3 | 100% | 0.91 | 94.1 |
| Regreasing interval | 4000 h | 4000 h | 75% | 0.90 | 94.1 |
| Grease amount | 27 g | 27 g | 50% | 0.85 | 93.0 |

Notes:

Performed by

Checked

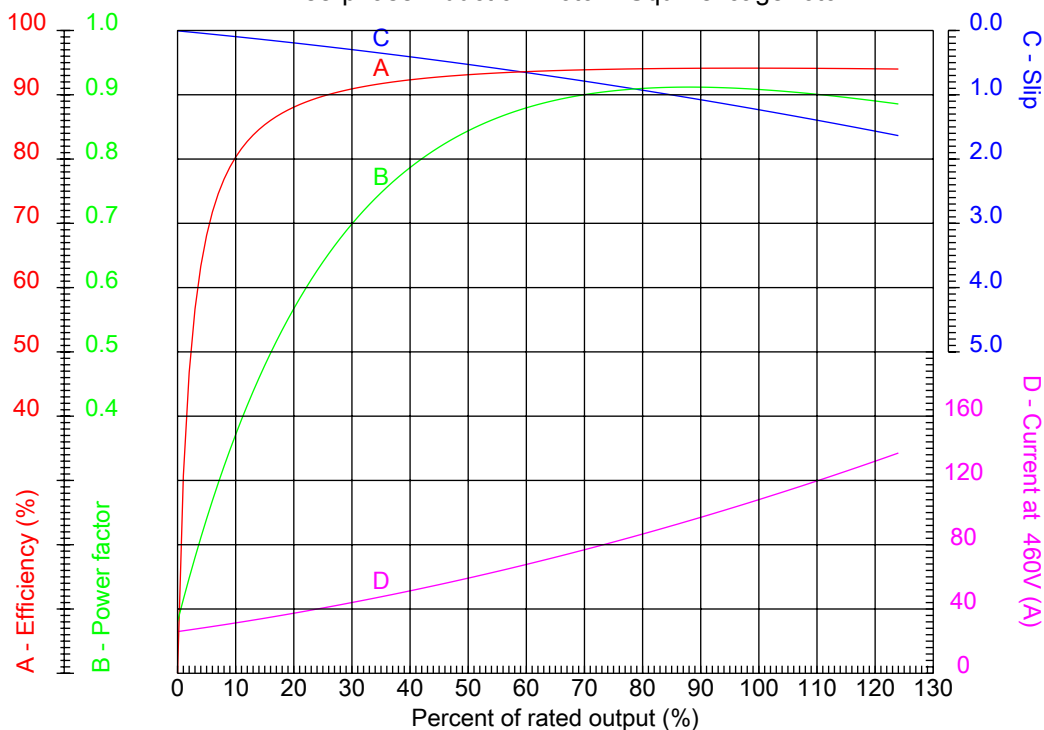


No.:

Date: 27-DEC-2012

PERFORMANCE CURVES RELATED TO RATED OUTPUT

Three-phase induction motor - Squirrel cage rotor



Customer :
 Product line : Close Coupled Pump: Three-Phase - W22 "JP" Type - TEFC - NEMA Premium

| | | | |
|------------------|-----------|--|---------|
| Frame | : 404/5JP | Locked rotor current (I _l /I _n) | : 6.5 |
| Output | : 100 HP | Duty cycle | : S1 |
| Frequency | : 60 Hz | Service factor | : 1.25 |
| Full load speed | : 3555 | Design | : B |
| Voltage | : 460 V | Locked rotor torque | : 200 % |
| Rated current | : 110 A | Breakdown torque | : 240 % |
| Insulation class | : F | | |

Notes:

Performed by

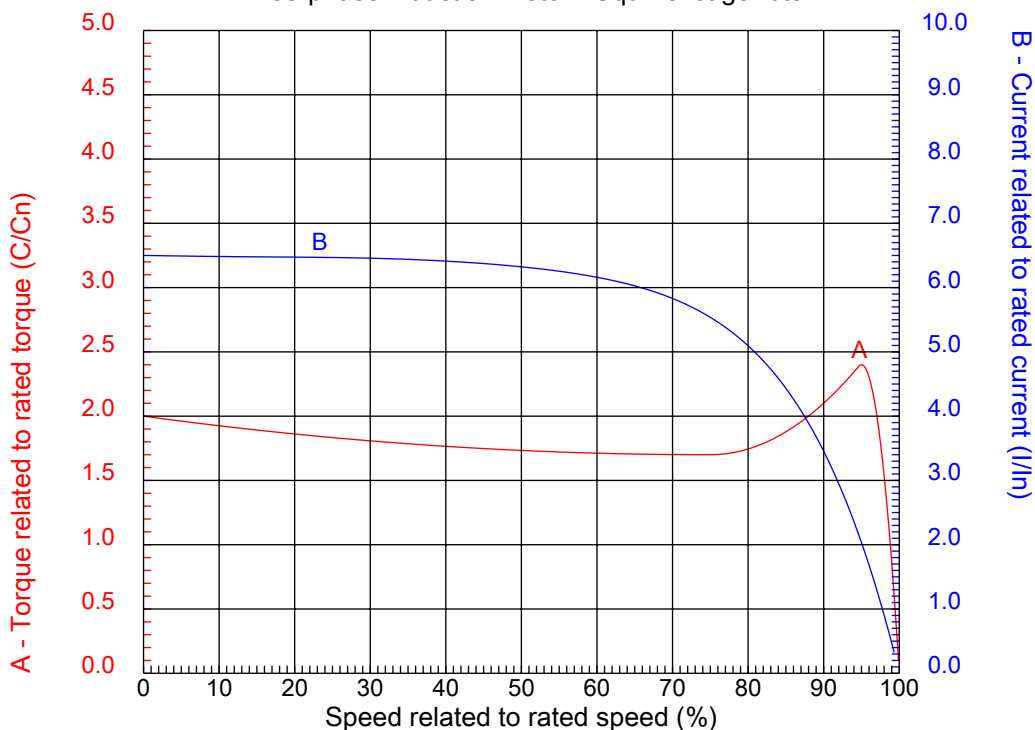
Checked



No.:

Date: 27-DEC-2012

CHARACTERISTIC CURVES RELATED TO SPEED Three-phase induction motor - Squirrel cage rotor



Customer :
Product line : Close Coupled Pump: Three-Phase - W22 "JP" Type - TEFC - NEMA Premium

| | | | |
|------------------|-----------|--|---------|
| Frame | : 404/5JP | Locked rotor current (I _l /I _n) | : 6.5 |
| Output | : 100 HP | Duty cycle | : S1 |
| Frequency | : 60 Hz | Service factor | : 1.25 |
| Full load speed | : 3555 | Design | : B |
| Voltage | : 460 V | Locked rotor torque | : 200 % |
| Rated current | : 110 A | Breakdown torque | : 240 % |
| Insulation class | : F | | |

Notes:

Performed by

Checked

1 2 3 4 5 6 7 8

A

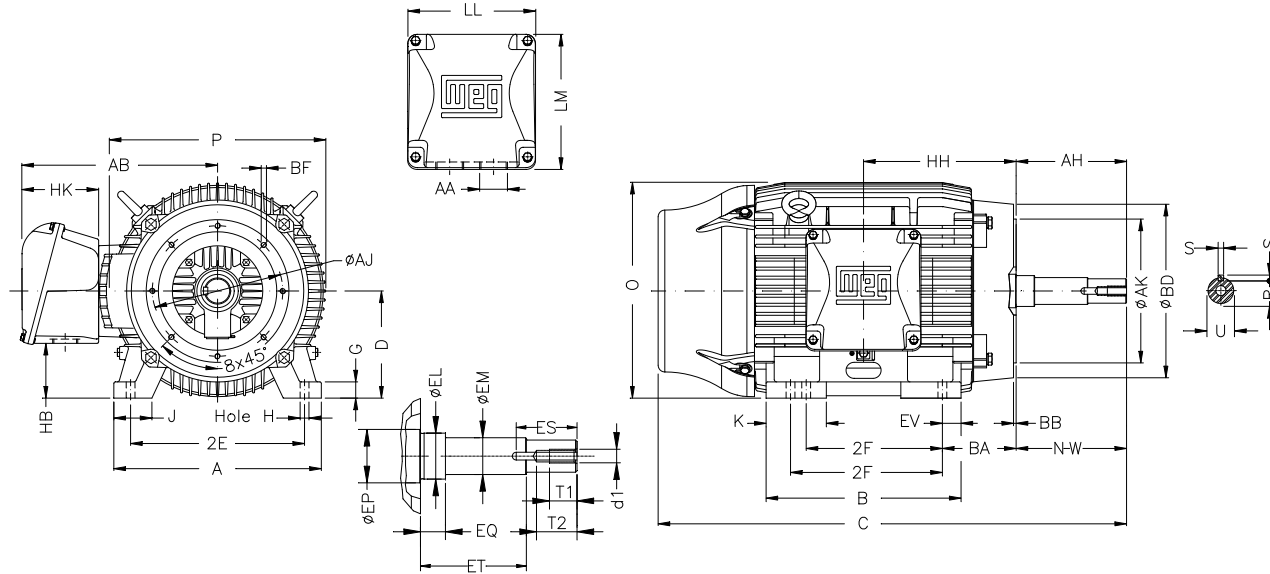
B

C

D

E

F



Notes:

Performed by:

Checked:

Customer:

Close Coupled Pump: Three-Phase - W22 "JP" Type - TEFC - NEMA Premium

Three-phase induction motor
Frame 404/5JP - IP55

27-DEC-2012



| | | | | |
|---------------------|-------------------|------------------|--------------|--------------|
| 2E 15.984 | J 3.937 | A 19.921 | P 19.134 | AB 16.378 |
| 2F 12.244/13.740 | K 5.669 | B 18.386 | BA 6.625 | D 10.000 |
| G 1.811 | O 19.566 | T 3.544 | HD 23.110 | H 0.810 |
| AA NPT 3" | ER 8.130 | EQ 2.382 | ET 5.886 | U 1.624 |
| EM 1.750 | EL 2.125 | EP 2.756 | ES 2.480 | t1 0.984 |
| t2 1.496 | C 38.911 | Flange FC-279 | AJ 11.000 | AK 12.500 |
| BD 15.562 | BF UNC 5/8"x11 | BB 0.248 | BC --- | AH 8.130 |