



No.:

Date: 27-DEC-2012

Customer :

TECHNICAL PROPOSAL

Three-phase induction motor - Squirrel cage rotor

Product line : Close Coupled Pump : Three-Phase - "JM" Type - ODP - NEMA Premium

Catalog Number : 10036OT3G365JM

List Price : \$8,683

Notes:

Performed by:

Checked:



No.:

Date: 27-DEC-2012

DATA SHEET

Three-phase induction motor - Squirrel cage rotor

Customer :
Product line : Close Coupled Pump : Three-Phase - "JM" Type - ODP - NEMA Premium

Frame : 364/5JM
Output : 100 HP
Frequency : 60 Hz
Poles : 2
Full load speed : 3550
Slip : 1.39 %
Voltage : 460 V
Rated current : 111 A
Locked rotor current : 744 A
Locked rotor current (I_L/I_n) : 6.7
No-load current : 34.0 A
Full load torque : 146 lb.ft
Locked rotor torque : 190 %
Breakdown torque : 280 %
Design : B
Insulation class : F
Temperature rise : 80 K
Locked rotor time : 12 s (hot)
Service factor : 1.15
Duty cycle : S1
Ambient temperature : -20°C - +40°C
Altitude : 1000
Degree of Protection : IP23
Approximate weight : 825 lb
Moment of inertia : 8.3008 sq.ft.lb
Noise level : 83 dB(A)

	D.E.	N.D.E.	Load	Power factor	Efficiency (%)
Bearings	6314 C3	6314 C3	100%	0.90	94.5
Regreasing interval	14418 h	14418 h	75%	0.89	94.5
Grease amount	27 g	27 g	50%	0.84	94.1

Notes:

Performed by

Checked

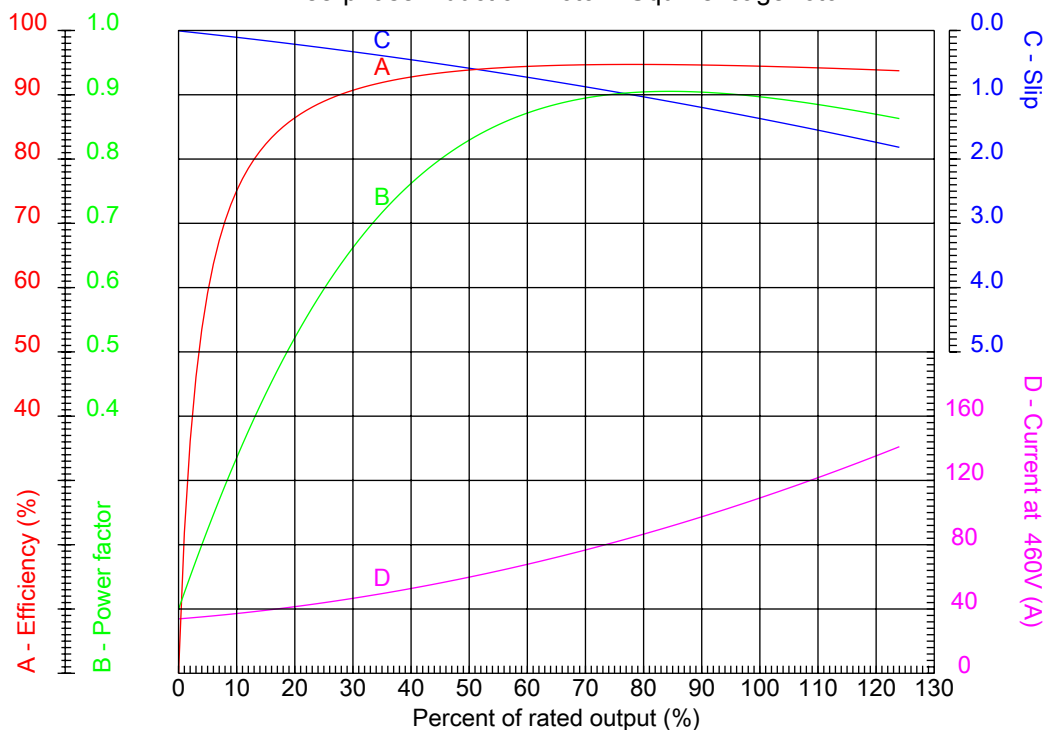


No.:

Date: 27-DEC-2012

PERFORMANCE CURVES RELATED TO RATED OUTPUT

Three-phase induction motor - Squirrel cage rotor



Customer :
Product line : Close Coupled Pump : Three-Phase - "JM" Type - ODP - NEMA Premium

Frame	: 364/5JM	Locked rotor current (I _l /I _n)	: 6.7
Output	: 100 HP	Duty cycle	: S1
Frequency	: 60 Hz	Service factor	: 1.15
Full load speed	: 3550	Design	: B
Voltage	: 460 V	Locked rotor torque	: 190 %
Rated current	: 111 A	Breakdown torque	: 280 %
Insulation class	: F		

Notes:

Performed by

Checked

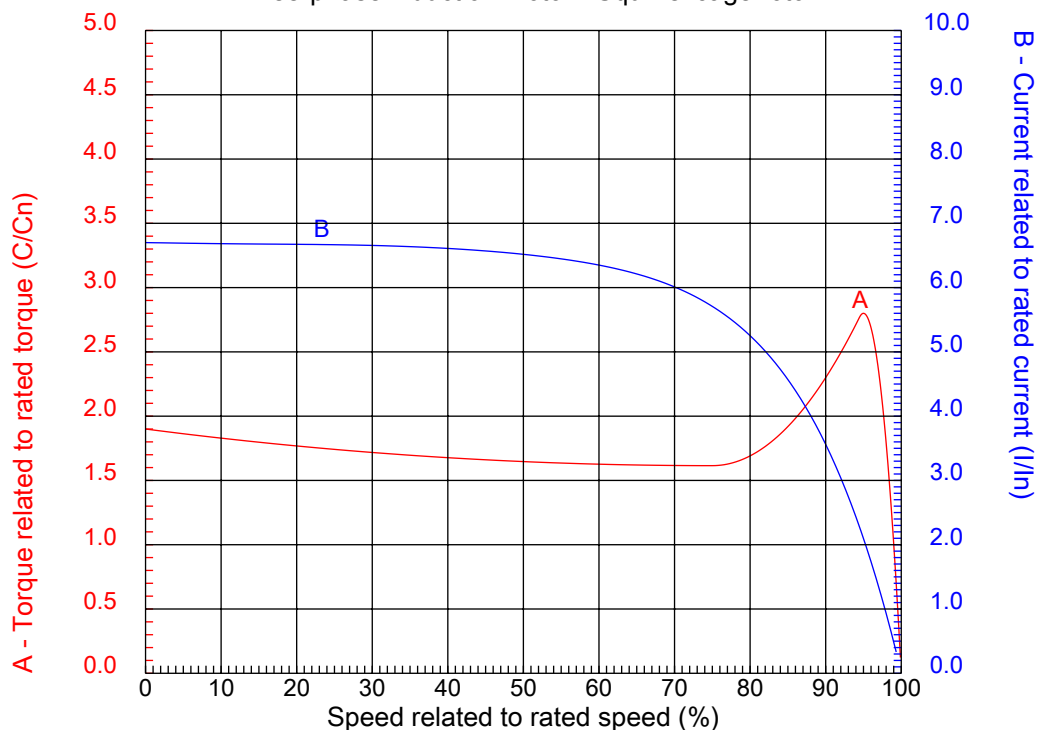


No.:

Date: 27-DEC-2012

CHARACTERISTIC CURVES RELATED TO SPEED

Three-phase induction motor - Squirrel cage rotor



Customer :
Product line : Close Coupled Pump : Three-Phase - "JM" Type - ODP - NEMA Premium

Frame	: 364/5JM	Locked rotor current (I _l /I _n)	: 6.7
Output	: 100 HP	Duty cycle	: S1
Frequency	: 60 Hz	Service factor	: 1.15
Full load speed	: 3550	Design	: B
Voltage	: 460 V	Locked rotor torque	: 190 %
Rated current	: 111 A	Breakdown torque	: 280 %
Insulation class	: F		

Notes:

Performed by

Checked

1 2 3 4 5 6 7 8

A

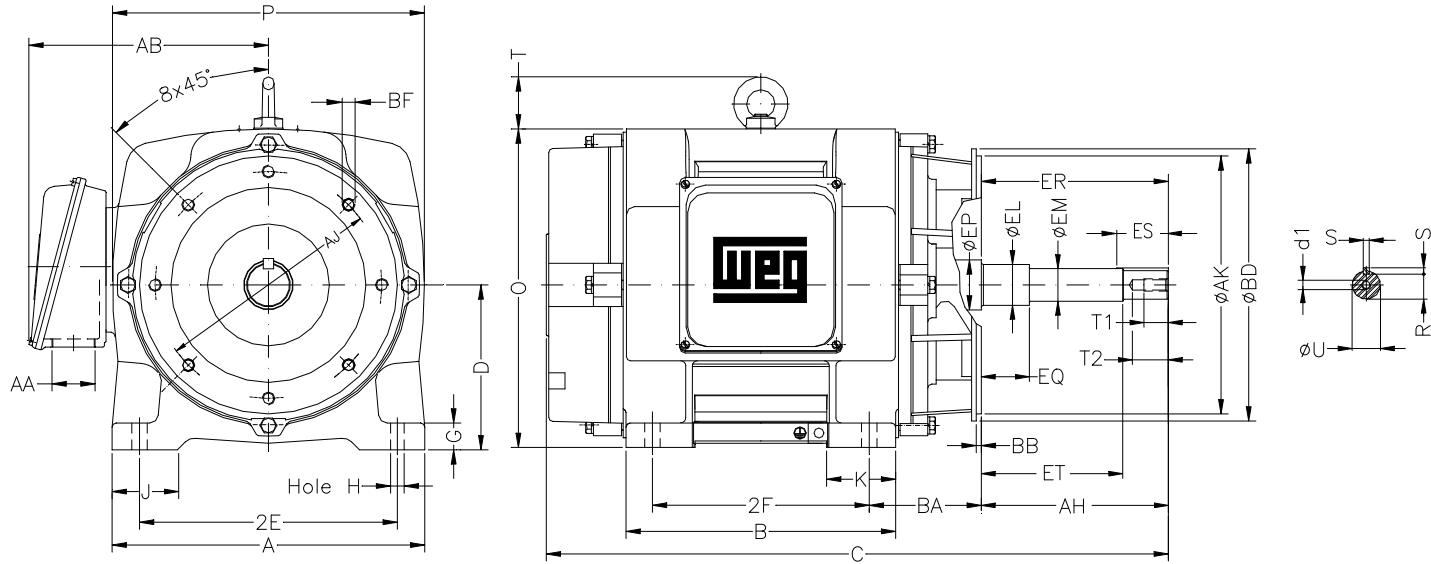
B

C

D

E

F



Notes:

Performed by:

Checked:

Customer:

Close Coupled Pump : Three-Phase - "JM" Type - ODP - NEMA Premium

Three-phase induction motor
Frame 364/5JM - IP23

27-DEC-2012



2E 14.000	A 17.170	2F 11.250/12.250	B 15.400	J 3.150
BA 5.875	D 9.000	K 4.140	G 1.480	O 18.425
P 17.874	T 2.795	HD 21.220	H 0.657	AA NPT 3"
ER 5.250	EQ 0.630	ET 3.006	U 1.249	EM 1.375
EL 1.750	S 0.250	EP 2.754	R 1.110	ES 2.480
d1 EUNC 1/2"-13	t1 0.984	t2 1.496	C 29.139	Flange FC-279
AJ 11.000	AK 12.500	BD 13.189	BF UNC 5/8"x11	BB 0.250
BC	AH 5.250			