



No.:

Date: 27-DEC-2012

Customer :

TECHNICAL PROPOSAL

Three-phase induction motor - Squirrel cage rotor

Product line : Three-Phase: W22 IEEE-841™ Petrochem Motors - NEMA Premium® Efficiency

Catalog Number : 10036ST3QIE405TS-W22

List Price : \$12,806

Notes:

Performed by:

Checked:



No.:

Date: 27-DEC-2012

DATA SHEET

Three-phase induction motor - Squirrel cage rotor

Customer :
Product line : Three-Phase: W22 IEEE-841™ Petrochem Motors - NEMA Premium® Efficiency

Frame : 404/5TS
Output : 100 HP
Frequency : 60 Hz
Poles : 2
Full load speed : 3555
Slip : 1.25 %
Voltage : 460 V
Rated current : 110 A
Locked rotor current : 715 A
Locked rotor current (I_L/I_n) : 6.5
No-load current : 26.0 A
Full load torque : 146 lb.ft
Locked rotor torque : 200 %
Breakdown torque : 240 %
Design : B
Insulation class : F
Temperature rise : 80 K
Locked rotor time : 14 s (hot)
Service factor : 1.25
Duty cycle : S1
Ambient temperature : -20°C - +40°C
Altitude : 1000
Degree of Protection : IP55
Approximate weight : 1045 lb
Moment of inertia : 13.196 sq.ft.lb
Noise level : 79 dB(A)

	D.E.	N.D.E.	Load	Power factor	Efficiency (%)
Bearings	6314 C3	6314 C3	100%	0.91	94.1
Regreasing interval	4000 h	4000 h	75%	0.90	94.1
Grease amount	27 g	27 g	50%	0.85	93.0

Notes:

Performed by

Checked

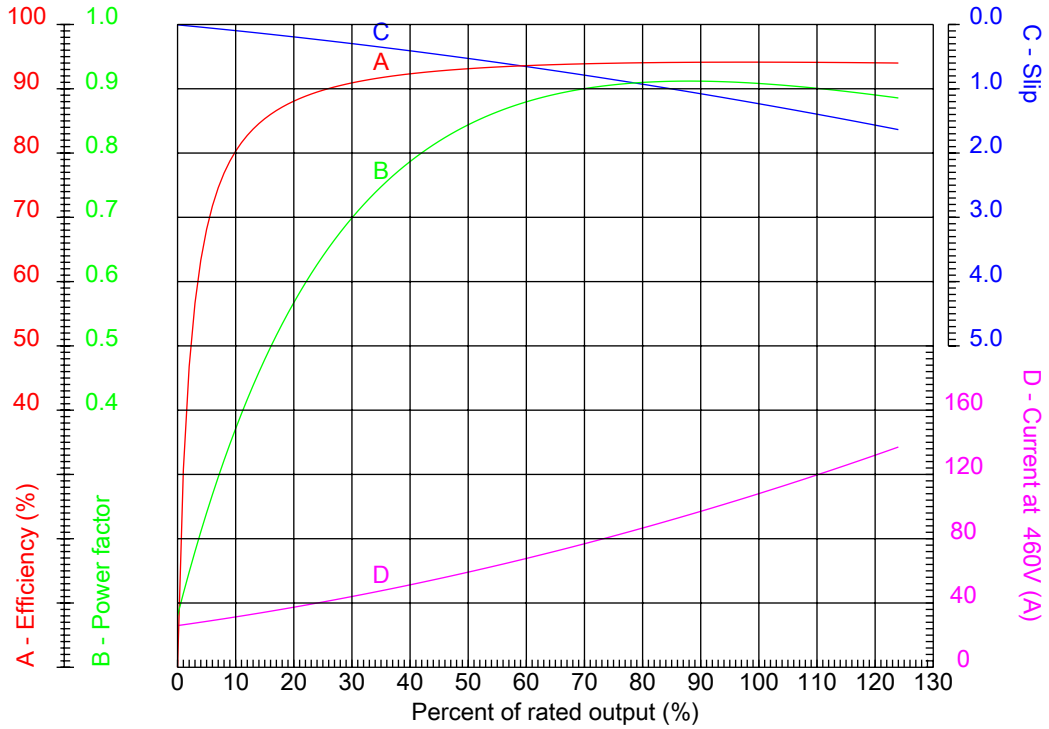


No.:

Date: 27-DEC-2012

PERFORMANCE CURVES RELATED TO RATED OUTPUT

Three-phase induction motor - Squirrel cage rotor



Customer :
 Product line : Three-Phase: W22 IEEE-841™ Petrochem Motors - NEMA Premium® Efficiency

Frame : 404/5TS	Locked rotor current (I _l /I _n) : 6.5
Output : 100 HP	Duty cycle : S1
Frequency : 60 Hz	Service factor : 1.25
Full load speed : 3555	Design : B
Voltage : 460 V	Locked rotor torque : 200 %
Rated current : 110 A	Breakdown torque : 240 %
Insulation class : F	

Notes:

Performed by

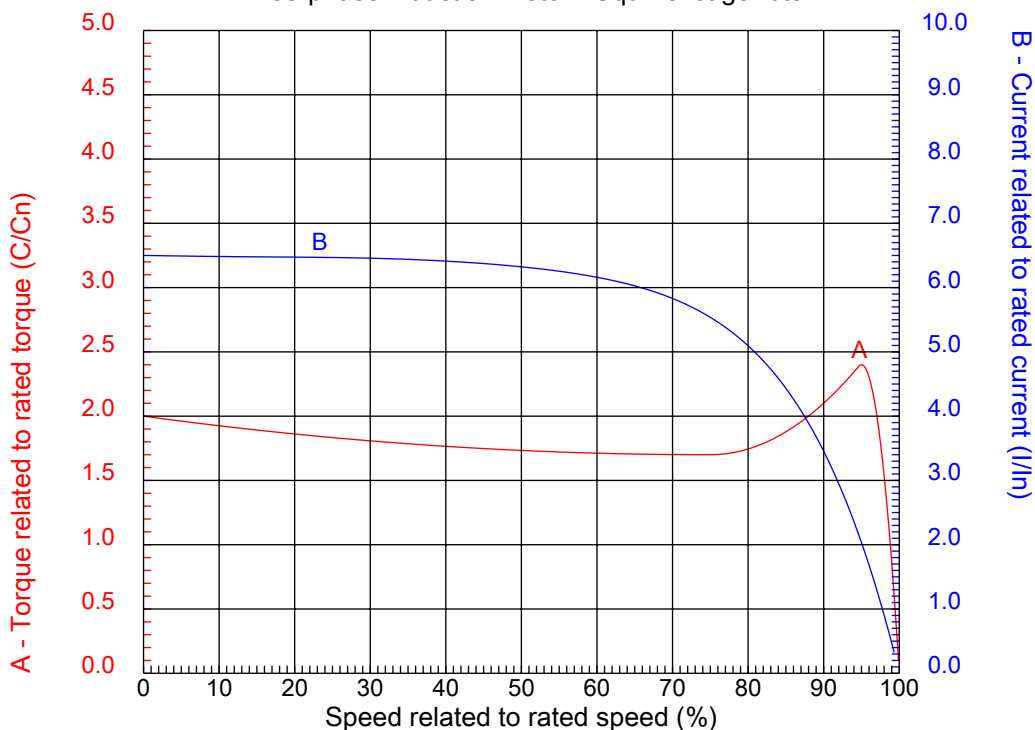
Checked



No.:

Date: 27-DEC-2012

CHARACTERISTIC CURVES RELATED TO SPEED Three-phase induction motor - Squirrel cage rotor



Customer :
Product line : Three-Phase: W22 IEEE-841™ Petrochem Motors - NEMA Premium® Efficiency

Frame	: 404/5TS	Locked rotor current (I _l /I _n)	: 6.5
Output	: 100 HP	Duty cycle	: S1
Frequency	: 60 Hz	Service factor	: 1.25
Full load speed	: 3555	Design	: B
Voltage	: 460 V	Locked rotor torque	: 200 %
Rated current	: 110 A	Breakdown torque	: 240 %
Insulation class	: F		

Notes:

Performed by

Checked

1 2 3 4 5 6 7 8

A

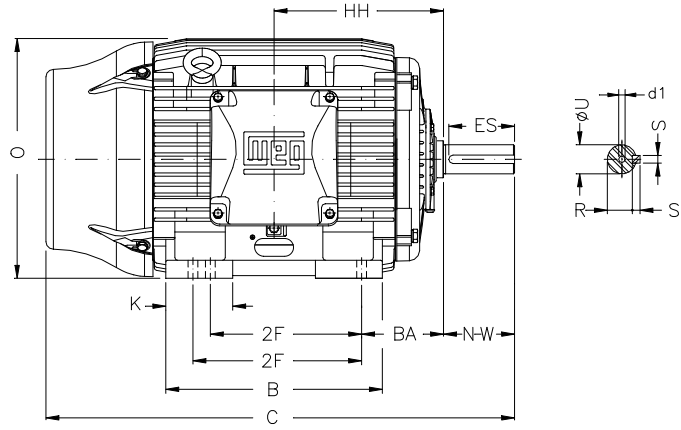
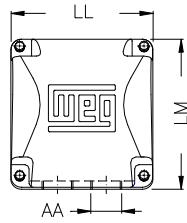
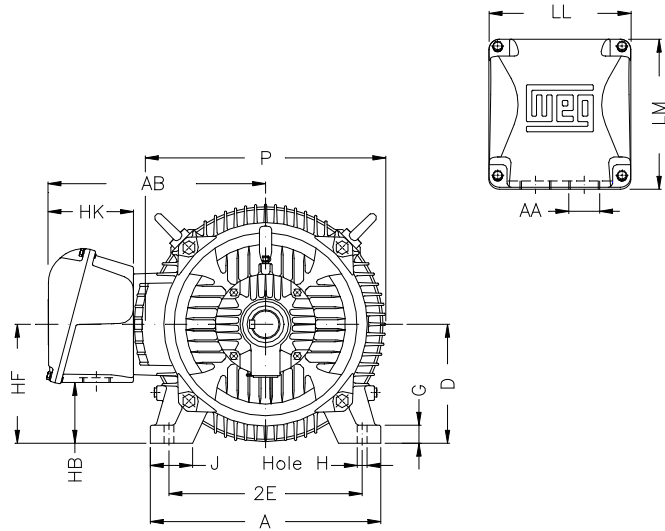
B

C

D

E

F



Notes:

Performed by:

Checked:

Customer:

Three-Phase: W22 IEEE-841™ Petrochem Motors - NEMA Premium® Efficiency

Three-phase induction motor
Frame 404/5TS - IP55

27-DEC-2012



2E 15.984	J 3.937	A 19.921	P 19.134	AB 16.023
2F 12.244/13.740	K 5.669	B 18.386	BA 6.625	U 2.125
N-W 4.250	ES 3.150	S 0.500	R 1.842	depth 0.500
D 10.000	G 1.811	HB 3.977	O 19.566	T 3.544
HD 23.110	HH 14.213	HK 6.023	H 0.810	C 36.732
LL 10.590	LM 11.181	AA NPT 3"	d1 DUNC 3/4"-10	d2 DUNC 3/4"-10
Flange FD-508	AJ 20.000	AK 18.000	BD 22.00	BF 0.828
BB 0.203				