



No.:

Date: 27-DEC-2012

Customer :

TECHNICAL PROPOSAL

Three-phase induction motor - Squirrel cage rotor

Product line : Three-Phase: W22 IEEE-841™ Petrochem Motors - NEMA Premium® Efficiency

Catalog Number : 20018ST3QIE447T-W22

List Price : \$23,696

Notes:

Performed by:

Checked:



No.:

Date: 27-DEC-2012

DATA SHEET

Three-phase induction motor - Squirrel cage rotor

Customer :
Product line : Three-Phase: W22 IEEE-841™ Petrochem Motors - NEMA Premium® Efficiency

Frame : 445/7T
Output : 200 HP
Frequency : 60 Hz
Poles : 4
Full load speed : 1780
Slip : 1.11 %
Voltage : 460 V
Rated current : 230 A
Locked rotor current : 1470 A
Locked rotor current (I_L/I_n) : 6.4
No-load current : 85.0 A
Full load torque : 582 lb.ft
Locked rotor torque : 240 %
Breakdown torque : 250 %
Design : B
Insulation class : F
Temperature rise : 80 K
Locked rotor time : 16 s (hot)
Service factor : 1.15
Duty cycle : S1
Ambient temperature : -20°C - +40°C
Altitude : 1000
Degree of Protection : IP55
Approximate weight : 1899 lb
Moment of inertia : 76.217 sq.ft.lb
Noise level : 73 dB(A)

	D.E.	N.D.E.	Load	Power factor	Efficiency (%)
Bearings	6319 C3	6316 C3	100%	0.85	96.2
Regreasing interval	8000 h	10000 h	75%	0.82	96.2
Grease amount	45 g	34 g	50%	0.73	95.4

Notes:

Performed by

Checked

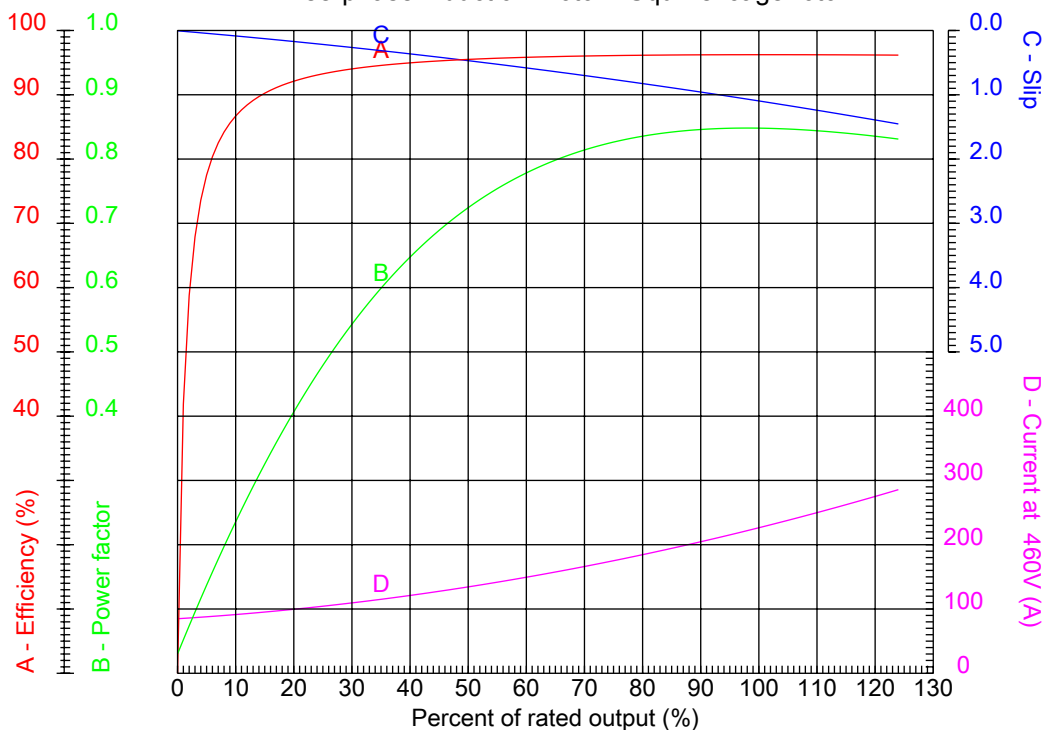


No.:

Date: 27-DEC-2012

PERFORMANCE CURVES RELATED TO RATED OUTPUT

Three-phase induction motor - Squirrel cage rotor



Customer :
Product line : Three-Phase: W22 IEEE-841™ Petrochem Motors - NEMA Premium® Efficiency

Frame : 445/7T	Locked rotor current (I _l /I _n) : 6.4
Output : 200 HP	Duty cycle : S1
Frequency : 60 Hz	Service factor : 1.15
Full load speed : 1780	Design : B
Voltage : 460 V	Locked rotor torque : 240 %
Rated current : 230 A	Breakdown torque : 250 %
Insulation class : F	

Notes:

Performed by

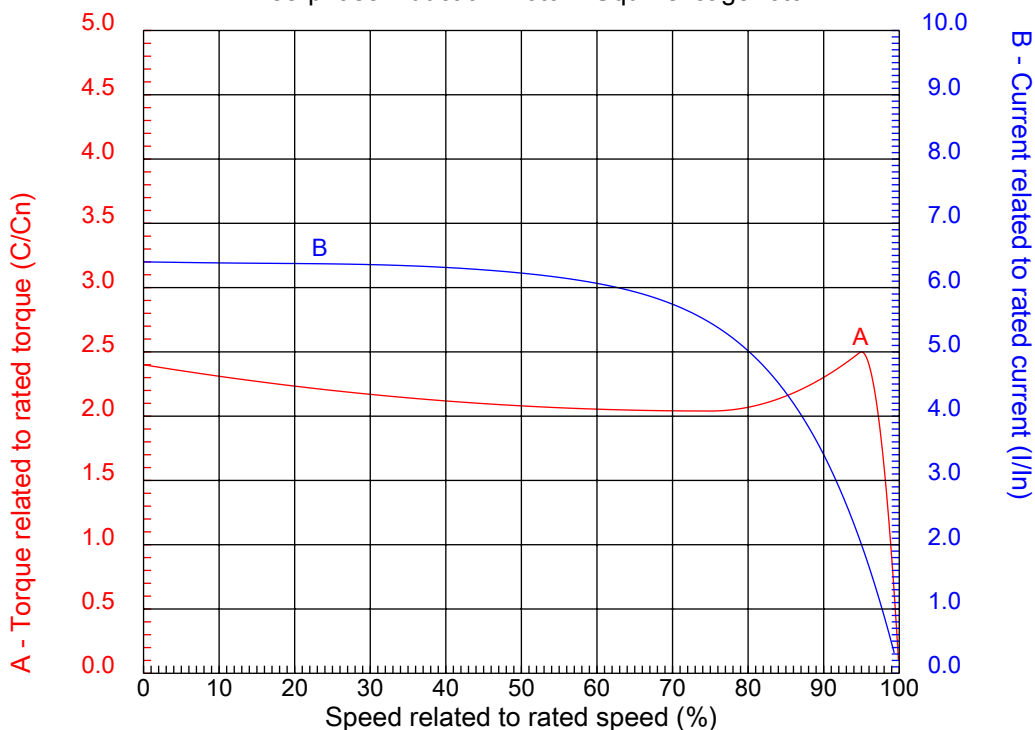
Checked



No.:

Date: 27-DEC-2012

CHARACTERISTIC CURVES RELATED TO SPEED Three-phase induction motor - Squirrel cage rotor



Customer :
Product line : Three-Phase: W22 IEEE-841™ Petrochem Motors - NEMA Premium® Efficiency

Frame	: 445/7T	Locked rotor current (I _l /I _n)	: 6.4
Output	: 200 HP	Duty cycle	: S1
Frequency	: 60 Hz	Service factor	: 1.15
Full load speed	: 1780	Design	: B
Voltage	: 460 V	Locked rotor torque	: 240 %
Rated current	: 230 A	Breakdown torque	: 250 %
Insulation class	: F		

Notes:

Performed by

Checked

1 2 3 4 5 6 7 8

A

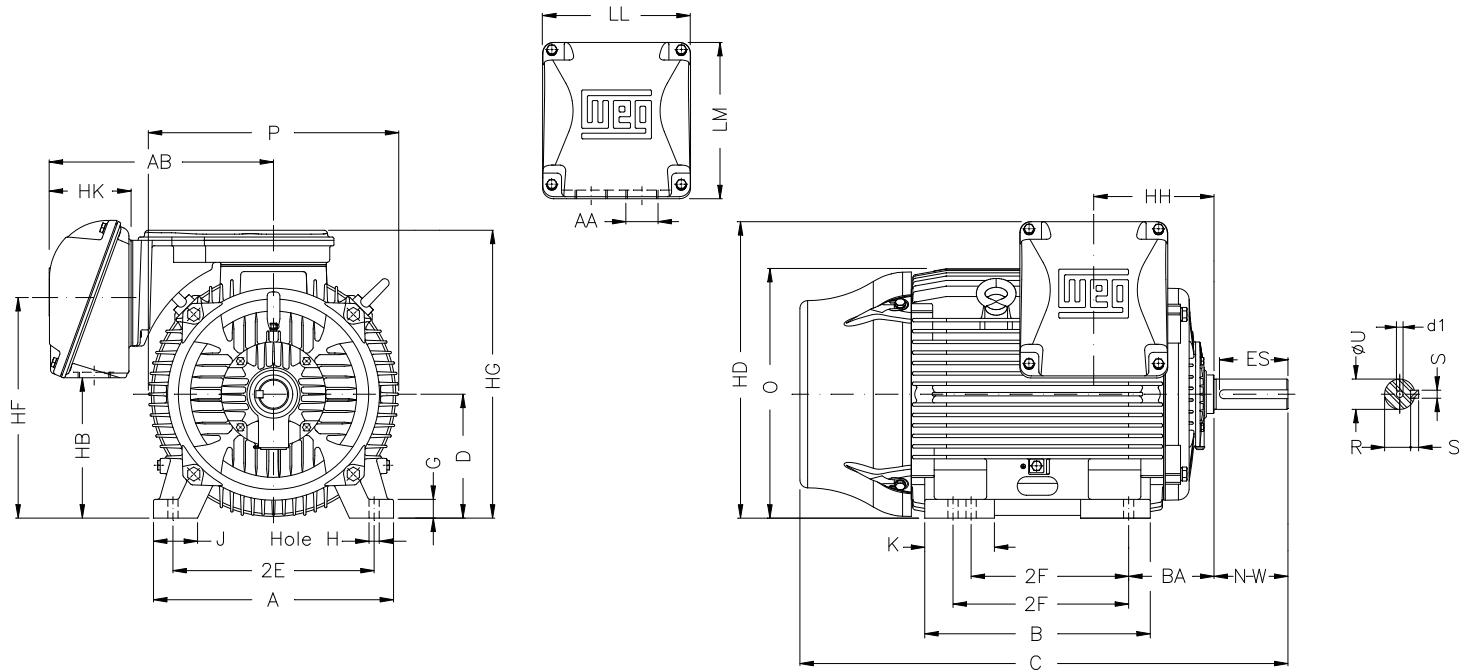
B

C

D

E

F



Notes:

Performed by:

Checked:

Customer:

Three-Phase: W22 IEEE-841™ Petrochem Motors - NEMA Premium® Efficiency

Three-phase induction motor
Frame 445/7T - IP55

27-DEC-2012



2E 18.000	J 3.937	A 21.929	P 23.583	AB 18.622
2F 16.500/20.000	K 5.866	B 23.897	BA 7.500	U 3.375
N-W 8.500	ES 7.087	S 0.875	R 2.880	depth 0.875
D 11.000	G 1.654	HB 12.598	O 22.795	T 7.378
HD 30.173	HF 20.724	HG 26.850	HH 11.803	HK 6.023
H 0.810	C 48.701	LL 12.362	LM 12.244	AA 2XNPT 3"
d1 DUNC 3/4"-10	d2 DUNC 3/4"-10	Flange FD-508	AJ 20.000	AK 18.000
BD 21.65	BF 0.828	BB 0.203		