



No.:

Date: 28-DEC-2012

Customer :

TECHNICAL PROPOSAL

Three-phase induction motor - Squirrel cage rotor

Product line : Three-Phase : Explosion Proof - NEMA Premium

Catalog Number : 20018XT3G504

List Price : \$29,397

Notes:

Performed by:

Checked:



No.:

Date: 28-DEC-2012

## DATA SHEET

### Three-phase induction motor - Squirrel cage rotor

Customer :  
Product line : Three-Phase : Explosion Proof - NEMA Premium

Frame : 504/5T  
Output : 200 HP  
Frequency : 60 Hz  
Poles : 4  
Full load speed : 1780  
Slip : 1.11 %  
Voltage : 460 V  
Rated current : 230 A  
Locked rotor current : 1610 A  
Locked rotor current (I<sub>L</sub>/I<sub>n</sub>) : 7.0  
No-load current : 88.8 A  
Full load torque : 582 lb.ft  
Locked rotor torque : 230 %  
Breakdown torque : 240 %  
Design : B  
Insulation class : F  
Temperature rise : 80 K  
Locked rotor time : 25 s (hot)  
Service factor : 1.15  
Duty cycle : S1  
Ambient temperature : -20°C - +40°C  
Altitude : 1000  
Degree of Protection : IP54  
Approximate weight : 2426 lb  
Moment of inertia : 76.217 sq.ft.lb  
Noise level : 82 dB(A)

	D.E.	N.D.E.	Load	Power factor	Efficiency (%)
Bearings	6319 C3	6316 C3	100%	0.85	96.2
Regreasing interval	7038 h	8569 h	75%	0.80	96.2
Grease amount	45 g	34 g	50%	0.70	95.8

Notes:

Performed by

Checked

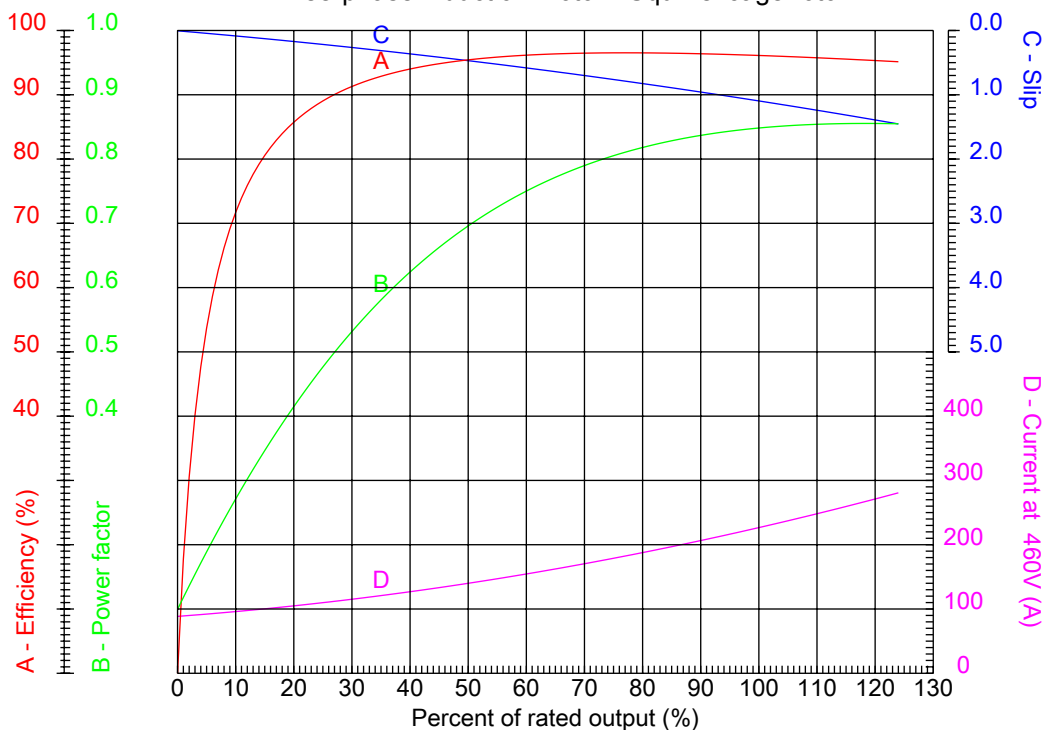


No.:

Date: 28-DEC-2012

### PERFORMANCE CURVES RELATED TO RATED OUTPUT

Three-phase induction motor - Squirrel cage rotor



Customer :  
Product line : Three-Phase : Explosion Proof - NEMA Premium

Frame	: 504/5T	Locked rotor current (I <sub>L</sub> /I <sub>n</sub> )	: 7.0
Output	: 200 HP	Duty cycle	: S1
Frequency	: 60 Hz	Service factor	: 1.15
Full load speed	: 1780	Design	: B
Voltage	: 460 V	Locked rotor torque	: 230 %
Rated current	: 230 A	Breakdown torque	: 240 %
Insulation class	: F		

Notes:

Performed by

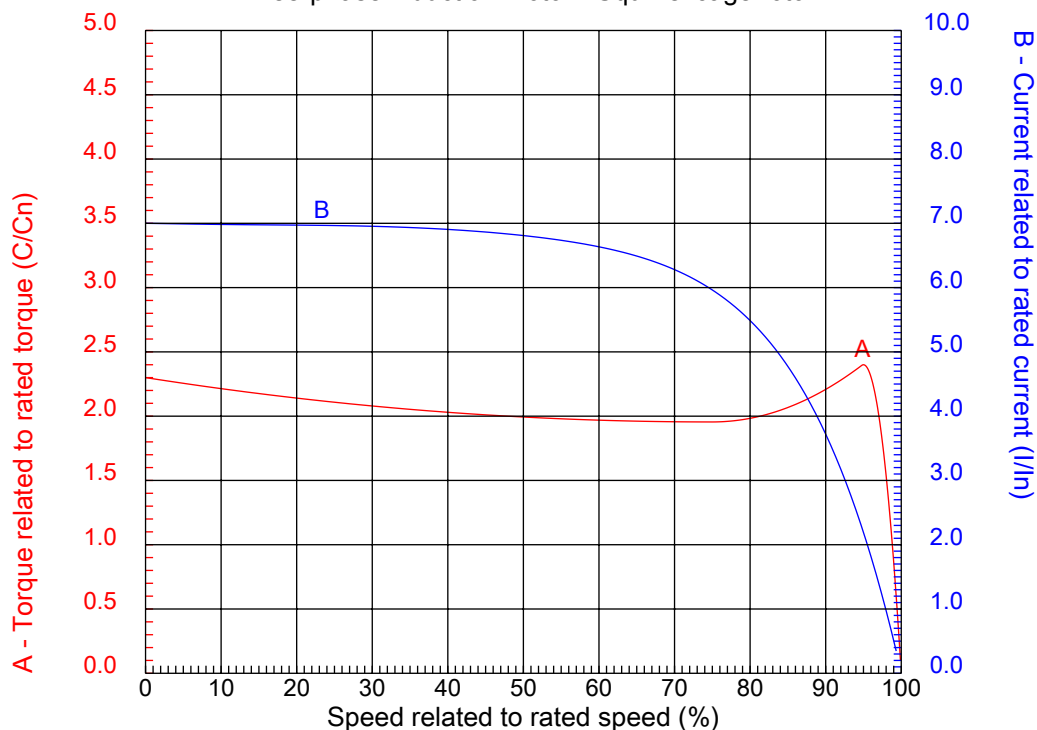
Checked



No.:

Date: 28-DEC-2012

### CHARACTERISTIC CURVES RELATED TO SPEED Three-phase induction motor - Squirrel cage rotor



Customer :  
Product line : Three-Phase : Explosion Proof - NEMA Premium

Frame	: 504/5T	Locked rotor current (I <sub>l</sub> /I <sub>n</sub> )	: 7.0
Output	: 200 HP	Duty cycle	: S1
Frequency	: 60 Hz	Service factor	: 1.15
Full load speed	: 1780	Design	: B
Voltage	: 460 V	Locked rotor torque	: 230 %
Rated current	: 230 A	Breakdown torque	: 240 %
Insulation class	: F		

Notes:

Performed by

Checked

1 2 3 4 5 6 7 8

A

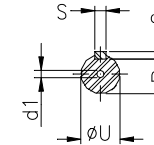
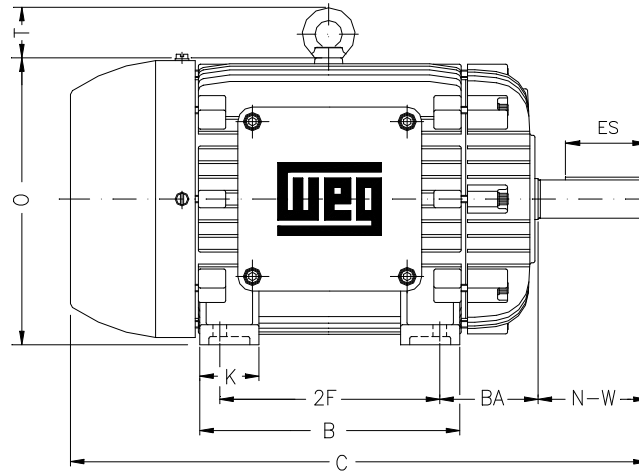
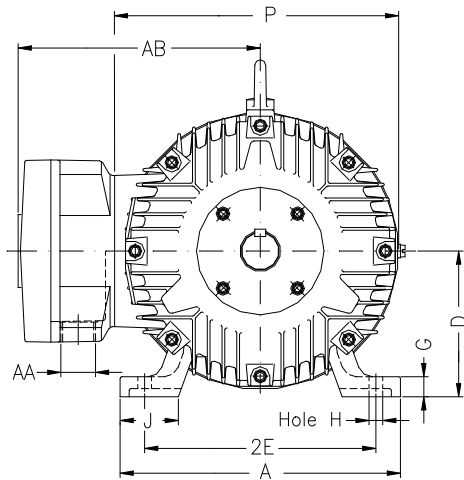
B

C

D

E

F



Notes:

Performed by:

Checked:

Customer:

Three-Phase : Explosion Proof - NEMA Premium

Three-phase induction motor  
Frame 504/5T - IP54

28-DEC-2012



2E 20.000	A 24.724	2F 16.000/18.000	B 21.969	BA 8.500
J 4.724	K 5.984	P 24.212	ES 8.661	depth 0.875
S 0.875	N-W 10.630	U 3.625	R 3.134	AB 21.850
D 12.500	G 2.146	O 25.197	HD 28.740	H 1.250
C 49.445	AA 2XNPT 3"	d1 DUNC 3/4"-10	d2 DUNC 3/4"-10	T 3.543
Flange FD-558	AJ 22.000	AK 18.000	BD 24.803	BF 0.828
BB 0.203				