



No.:

Date: 28-DEC-2012

Customer :

TECHNICAL PROPOSAL

Three-phase induction motor - Squirrel cage rotor

Product line : Three-Phase: W22 IEEE-841™ Petrochem Motors - NEMA Premium® Efficiency

Catalog Number : 25036ST3QIE449TS-W22

List Price : \$34,663

Notes:

Performed by:

Checked:



No.:

Date: 28-DEC-2012

DATA SHEET

Three-phase induction motor - Squirrel cage rotor

Customer :
Product line : Three-Phase: W22 IEEE-841™ Petrochem Motors - NEMA Premium® Efficiency

Frame : 445/7TS
Output : 250 HP
Frequency : 60 Hz
Poles : 2
Full load speed : 3570
Slip : 0.83 %
Voltage : 460 V
Rated current : 266 A
Locked rotor current : 1730 A
Locked rotor current (I_L/I_n) : 6.5
No-load current : 50.0 A
Full load torque : 363 lb.ft
Locked rotor torque : 230 %
Breakdown torque : 220 %
Design : B
Insulation class : F
Temperature rise : 80 K
Locked rotor time : 18 s (hot)
Service factor : 1.15
Duty cycle : S1
Ambient temperature : -20°C - +40°C
Altitude : 1000
Degree of Protection : IP55
Approximate weight : 2159 lb
Moment of inertia : 50.262 sq.ft.lb
Noise level : 81 dB(A)

	D.E.	N.D.E.	Load	Power factor	Efficiency (%)
Bearings	6314 C3	6314 C3	100%	0.91	95.8
Regreasing interval	4000 h	4000 h	75%	0.90	95.8
Grease amount	27 g	27 g	50%	0.87	95.4

Notes:

Performed by

Checked

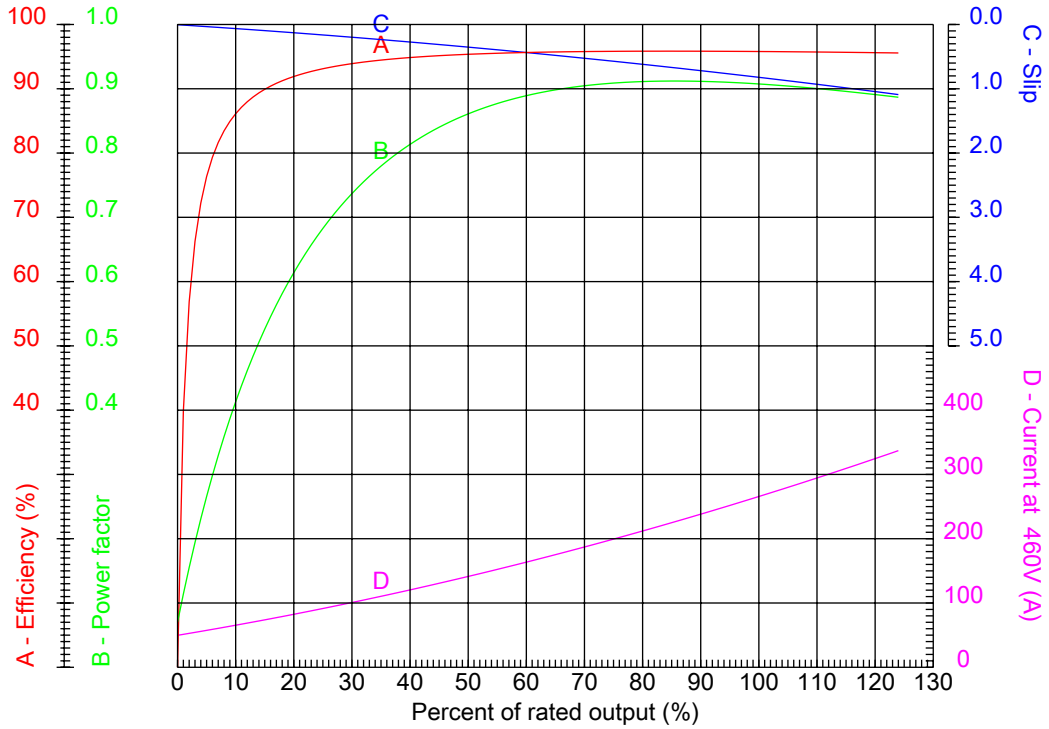


No.:

Date: 28-DEC-2012

PERFORMANCE CURVES RELATED TO RATED OUTPUT

Three-phase induction motor - Squirrel cage rotor



Customer :
Product line : Three-Phase: W22 IEEE-841™ Petrochem Motors - NEMA Premium® Efficiency

Frame	: 445/7TS	Locked rotor current (I _l /I _n)	: 6.5
Output	: 250 HP	Duty cycle	: S1
Frequency	: 60 Hz	Service factor	: 1.15
Full load speed	: 3570	Design	: B
Voltage	: 460 V	Locked rotor torque	: 230 %
Rated current	: 266 A	Breakdown torque	: 220 %
Insulation class	: F		

Notes:

Performed by

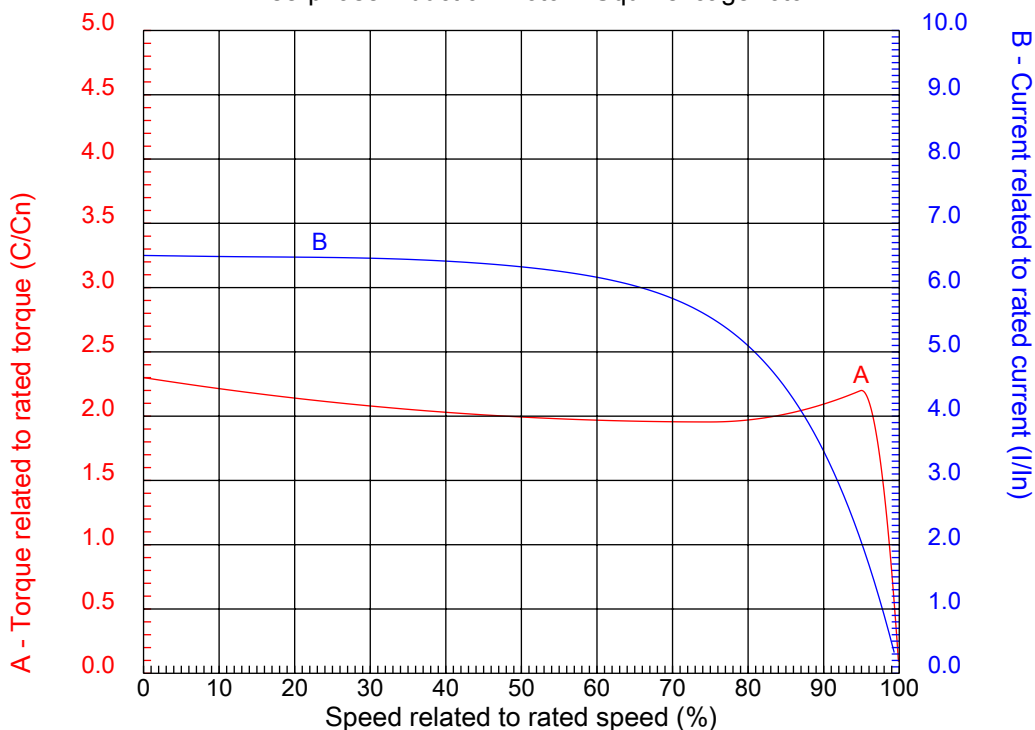
Checked



No.:

Date: 28-DEC-2012

CHARACTERISTIC CURVES RELATED TO SPEED Three-phase induction motor - Squirrel cage rotor



Customer :
Product line : Three-Phase: W22 IEEE-841™ Petrochem Motors - NEMA Premium® Efficiency

Frame	: 445/7TS	Locked rotor current (I _l /I _n)	: 6.5
Output	: 250 HP	Duty cycle	: S1
Frequency	: 60 Hz	Service factor	: 1.15
Full load speed	: 3570	Design	: B
Voltage	: 460 V	Locked rotor torque	: 230 %
Rated current	: 266 A	Breakdown torque	: 220 %
Insulation class	: F		

Notes:

Performed by

Checked

1 2 3 4 5 6 7 8

A

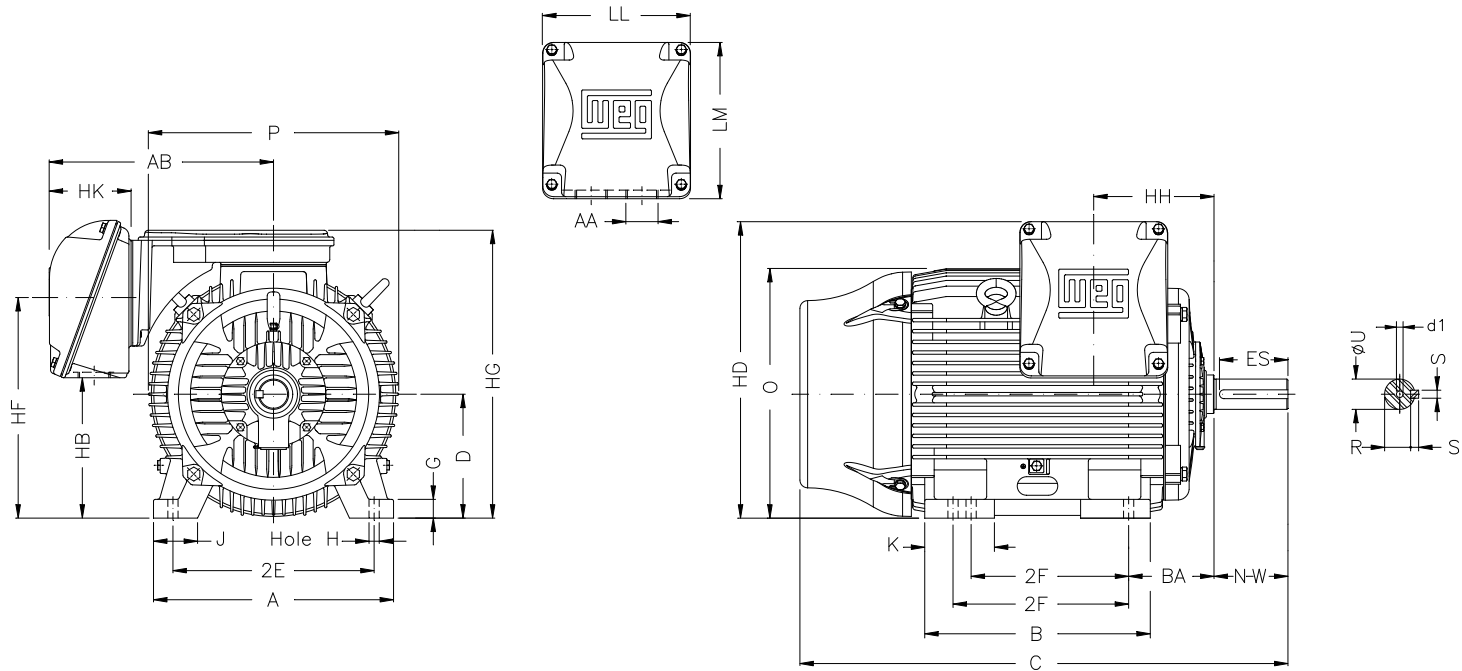
B

C

D

E

F



Notes:

Performed by:

Checked:

Customer:

Three-Phase: W22 IEEE-841™ Petrochem Motors - NEMA Premium® Efficiency

Three-phase induction motor
Frame 445/7TS - IP55

28-DEC-2012



2E	J	A	P	AB
18.000	3.937	21.929	23.583	18.622
2F	K	B	BA	U
16.500/20.000	5.866	23.897	7.500	2.375
N-W	ES	S	R	depth
4.750	3.000	0.625	2.021	0.625
D	G	HB	O	T
11.000	1.654	12.598	22.795	7.378
HD	HF	HG	HH	HK
30.173	20.724	26.850	11.803	6.023
H	C	LL	LM	AA
0.810	44.951	12.362	12.244	2XNPT 3"
d1	d2	Flange	AJ	AK
DUNC 3/4"-10	DUNC 3/4"-10	FD-508	20.000	18.000
BD	BF	BB		
21.65	0.828	0.203		