



No.:

Date: 28-DEC-2012

Customer :

TECHNICAL PROPOSAL

Single-phase induction motor - Squirrel cage rotor

Product line : Pool & Spa Motors : Square Flange - Start Capacitor - High Service Factor

Catalog Number : PCQ103H

List Price : \$231

Notes:

Performed by:

Checked:



No.:

Date: 28-DEC-2012

DATA SHEET

Single-phase induction motor - Squirrel cage rotor

Customer :
Product line : Pool & Spa Motors : Square Flange - Start Capacitor - High Service Factor

Frame : K48Y
Output : 0.33 HP
Frequency : 60 Hz
Poles : 2
Full load speed : 3510
Slip : 2.50 %
Voltage : 115/230 V
Rated current : 6.90/3.45 A
Locked rotor current : 38.0/19.0 A
Locked rotor current (I_L/I_n) : 5.5
No-load current : 5.80/2.90 A
Full load torque : 0.487 lb.ft
Locked rotor torque : 200 %
Breakdown torque : 400 %
Design : ---
Insulation class : B
Temperature rise : 80 K
Locked rotor time : 6 s (hot)
Service factor : 1.95
Duty cycle : S1
Ambient temperature : -20°C - +50°C
Altitude : 1000
Degree of Protection : IP21
Approximate weight : 21 lb
Moment of inertia : 0.01898 sq.ft.lb
Noise level : ---

	D.E.	N.D.E.	Load	Power factor	Efficiency (%)
Bearings	6203 2RS	6203 ZZ	100%	0.57	55.0
Regreasing interval	---	---	75%	0.51	48.0
Grease amount	---	---	50%	0.43	40.0

Notes:

Performed by

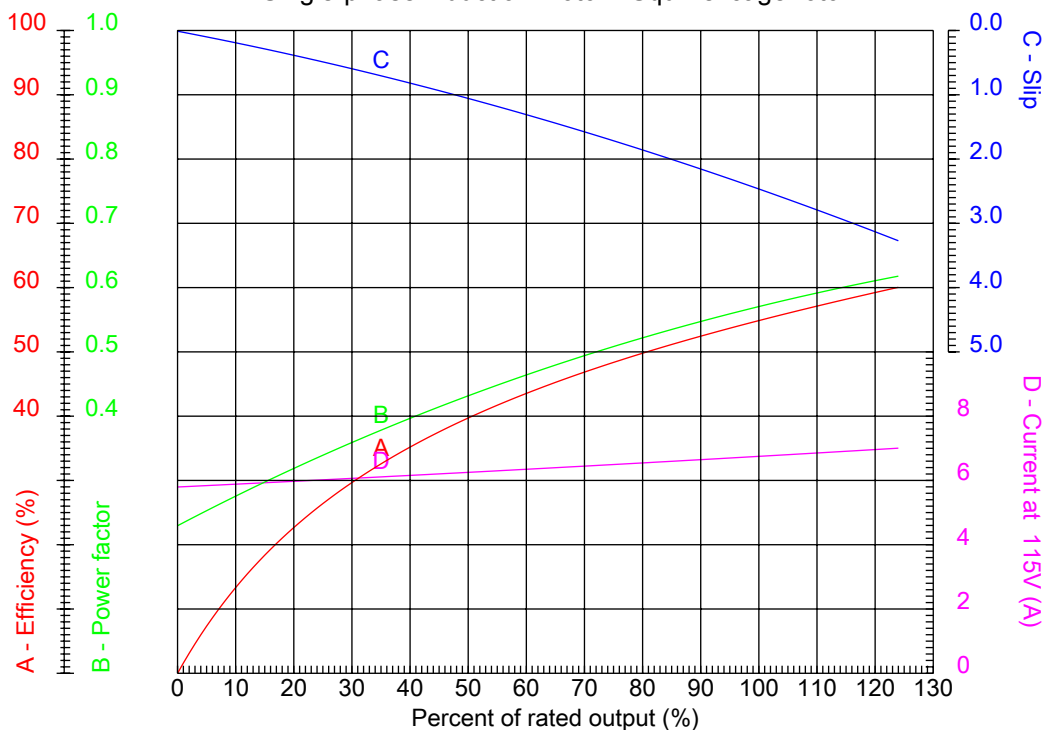
Checked



No.:

Date: 28-DEC-2012

PERFORMANCE CURVES RELATED TO RATED OUTPUT
Single-phase induction motor - Squirrel cage rotor



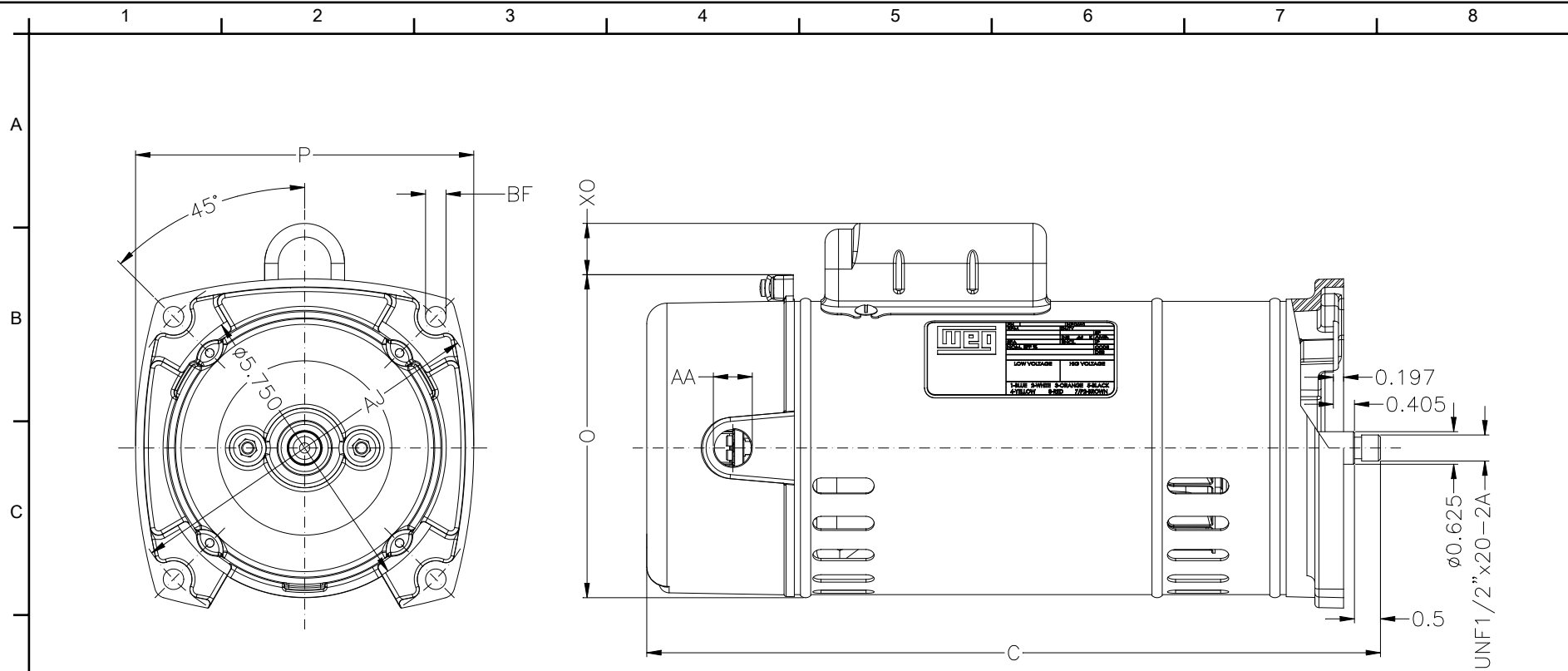
Customer :
Product line : Pool & Spa Motors : Square Flange - Start Capacitor - High Service Factor

Frame	: K48Y	Locked rotor current (I _l /I _n)	: 5.5
Output	: 0.33 HP	Duty cycle	: S1
Frequency	: 60 Hz	Service factor	: 1.95
Full load speed	: 3510	Design	: ---
Voltage	: 115/230 V	Locked rotor torque	: 200 %
Rated current	: 6.90/3.45 A	Breakdown torque	: 400 %
Insulation class	: B		

Notes:

Performed by

Checked



A
B
C
D
E
F

1 2 3 4 5 6 7 8

Notes:

Performed by:

Checked:

Customer:

Pool & Spa Motors : Square Flange - Start Capacitor - High Service Factor

P 6.496	C 12.913	AA NPT 1/2"	Flange FC-149	AJ 7.126
BD	BF 10			

Single-phase induction motor
Frame K48Y - IP21

28-DEC-2012

