



No.:

Date: 28-DEC-2012

Customer :

TECHNICAL PROPOSAL

Single-phase induction motor - Squirrel cage rotor

Product line : Pool & Spa Motors : Square Flange - Start Capacitor - Low Service Factor

Catalog Number : PCQ110

List Price : \$275

Notes:

Performed by:

Checked:



No.:

Date: 28-DEC-2012

## DATA SHEET

### Single-phase induction motor - Squirrel cage rotor

Customer :  
 Product line : Pool & Spa Motors : Square Flange - Start Capacitor - Low Service Factor

Frame : K48Y  
 Output : 1 HP  
 Frequency : 60 Hz  
 Poles : 2  
 Full load speed : 3470  
 Slip : 3.61 %  
 Voltage : 115/230 V  
 Rated current : 12.5/6.25 A  
 Locked rotor current : 71.3/35.6 A  
 Locked rotor current (I<sub>L</sub>/I<sub>n</sub>) : 5.7  
 No-load current : 8.30/4.15 A  
 Full load torque : 1.49 lb.ft  
 Locked rotor torque : 140 %  
 Breakdown torque : 250 %  
 Design : ---  
 Insulation class : B  
 Temperature rise : 80 K  
 Locked rotor time : 6 s (hot)  
 Service factor : 1.25  
 Duty cycle : S1  
 Ambient temperature : -20°C - +50°C  
 Altitude : 1000  
 Degree of Protection : IP21  
 Approximate weight : 24 lb  
 Moment of inertia : 0.02966 sq.ft.lb  
 Noise level : ---

	D.E.	N.D.E.	Load	Power factor	Efficiency (%)
Bearings	6203 2RS	6203 ZZ	100%	0.74	70.1
Regreasing interval	---	---	75%	0.67	67.0
Grease amount	---	---	50%	0.56	61.0

Notes:

Performed by

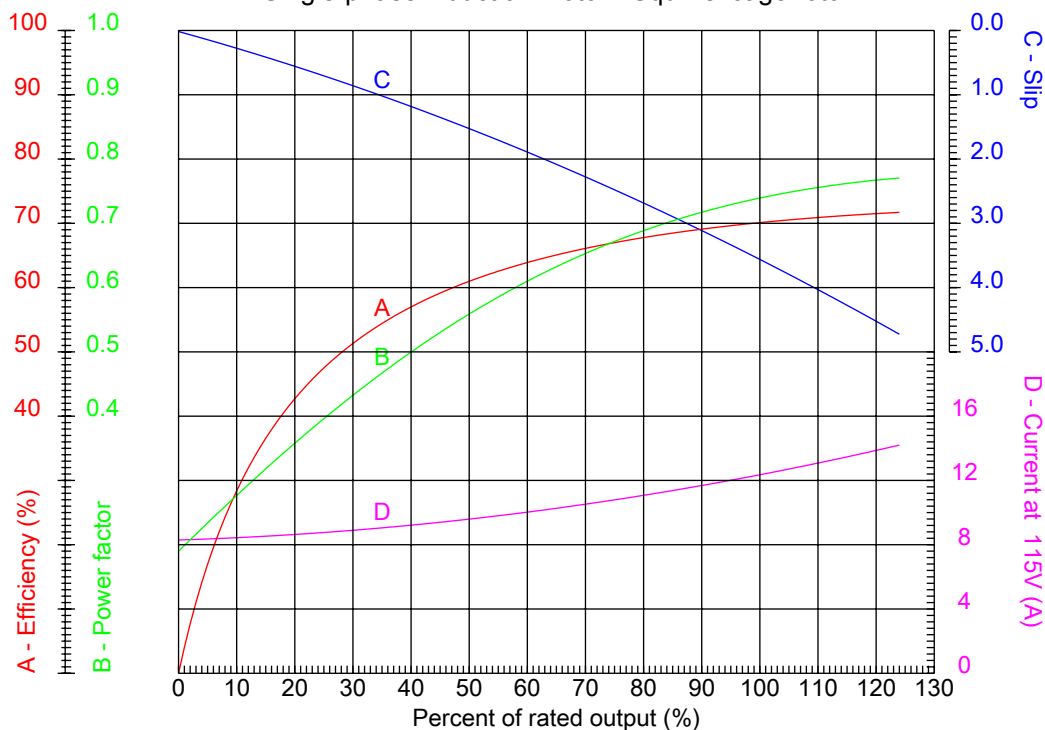
Checked



No.:

Date: 28-DEC-2012

### PERFORMANCE CURVES RELATED TO RATED OUTPUT Single-phase induction motor - Squirrel cage rotor



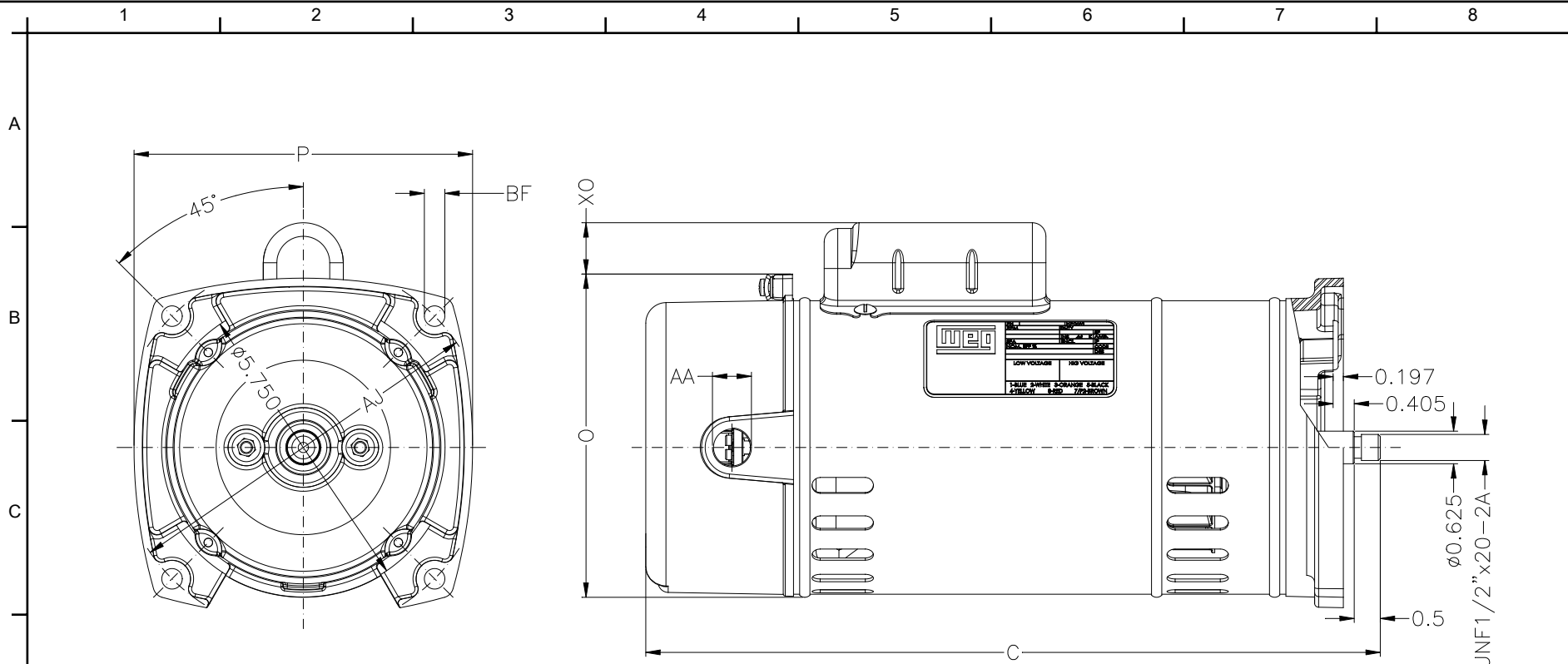
Customer :  
Product line : Pool & Spa Motors : Square Flange - Start Capacitor - Low Service Factor

Frame	: K48Y	Locked rotor current (I <sub>l</sub> /I <sub>n</sub> )	: 5.7
Output	: 1 HP	Duty cycle	: S1
Frequency	: 60 Hz	Service factor	: 1.25
Full load speed	: 3470	Design	: ---
Voltage	: 115/230 V	Locked rotor torque	: 140 %
Rated current	: 12.5/6.25 A	Breakdown torque	: 250 %
Insulation class	: B		

Notes:

Performed by

Checked



Notes:

Performed by:

Checked:

Customer:

Pool & Spa Motors : Square Flange - Start Capacitor - Low Service Factor

P 6.496	C 12.913	AA NPT 1/2"	Flange FC-149	AJ 7.126
BD 6.496	BF 10			

Single-phase induction motor Frame K48Y - IP21	28-DEC-2012	
---	-------------	--