



No.:

Date: 28-DEC-2012

Customer :

TECHNICAL PROPOSAL

Single-phase induction motor - Squirrel cage rotor

Product line : Pool & Spa Motors : Square Flange - Start Capacitor - High Service Factor

Catalog Number : PCQ110H

List Price : \$320

Notes:

Performed by:

Checked:



No.:

Date: 28-DEC-2012

DATA SHEET

Single-phase induction motor - Squirrel cage rotor

Customer :
 Product line : Pool & Spa Motors : Square Flange - Start Capacitor - High Service Factor

Frame : L48Y
 Output : 1 HP
 Frequency : 60 Hz
 Poles : 2
 Full load speed : 3510
 Slip : 2.50 %
 Voltage : 115/230 V
 Rated current : 14.1/7.05 A
 Locked rotor current : 94.5/47.2 A
 Locked rotor current (I_L/I_n) : 6.7
 No-load current : 10.5/5.25 A
 Full load torque : 1.48 lb.ft
 Locked rotor torque : 200 %
 Breakdown torque : 320 %
 Design : ---
 Insulation class : B
 Temperature rise : 80 K
 Locked rotor time : 6 s (hot)
 Service factor : 1.65
 Duty cycle : S1
 Ambient temperature : -20°C - +50°C
 Altitude : 1000
 Degree of Protection : IP21
 Approximate weight : 20 lb
 Moment of inertia : 0.03607 sq.ft.lb
 Noise level : ---

	D.E.	N.D.E.	Load	Power factor	Efficiency (%)
Bearings	6203 2RS	6203 ZZ	100%	0.66	69.7
Regreasing interval	---	---	75%	0.57	65.0
Grease amount	---	---	50%	0.48	57.0

Notes:

Performed by

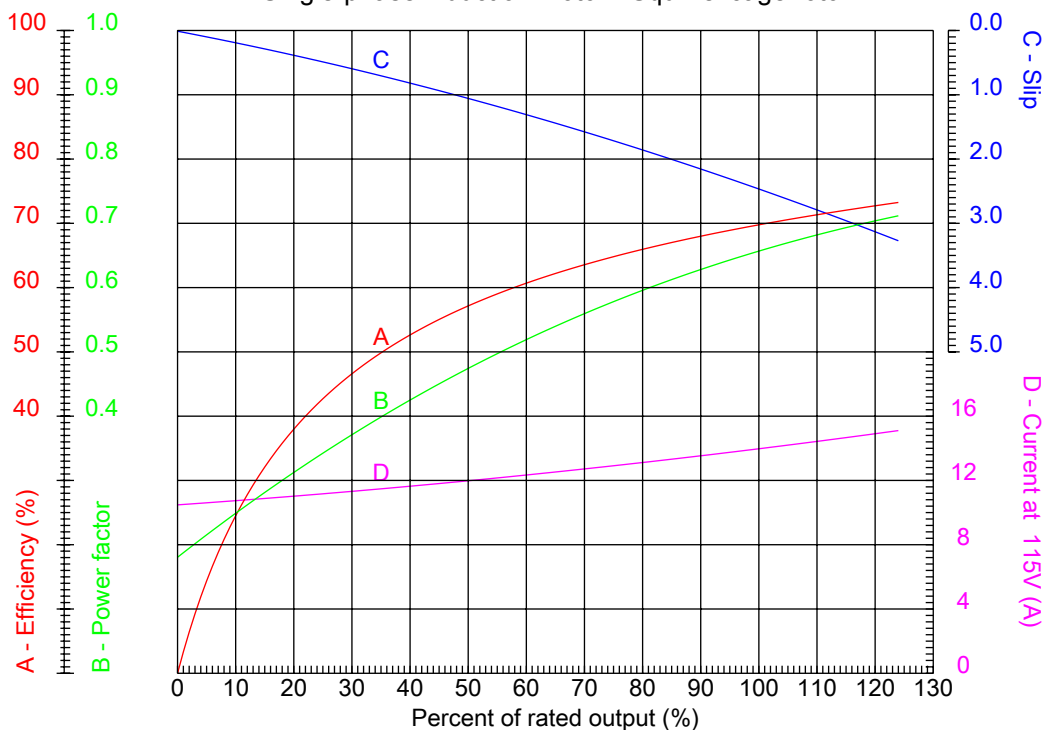
Checked



No.:

Date: 28-DEC-2012

PERFORMANCE CURVES RELATED TO RATED OUTPUT
Single-phase induction motor - Squirrel cage rotor



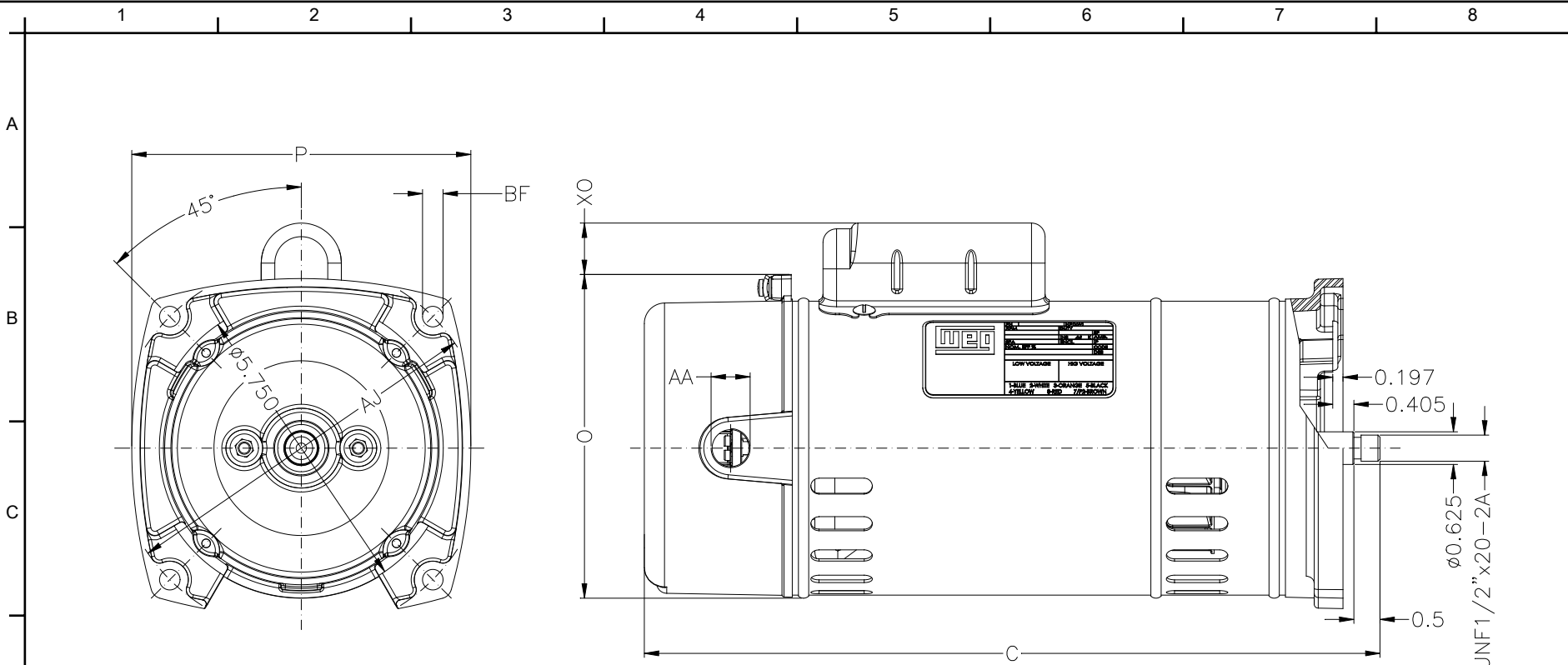
Customer :
Product line : Pool & Spa Motors : Square Flange - Start Capacitor - High Service Factor

Frame	: L48Y	Locked rotor current (I _l /I _n)	: 6.7
Output	: 1 HP	Duty cycle	: S1
Frequency	: 60 Hz	Service factor	: 1.65
Full load speed	: 3510	Design	: ---
Voltage	: 115/230 V	Locked rotor torque	: 200 %
Rated current	: 14.1/7.05 A	Breakdown torque	: 320 %
Insulation class	: B		

Notes:

Performed by

Checked



Notes:

Performed by:

Checked:

Customer:

Pool & Spa Motors : Square Flange - Start Capacitor - High Service Factor

P 6.496	C 13.504	AA NPT 1/2"	Flange FC-149	AJ 7.126
BD	BF 10			

Single-phase induction motor
Frame L48Y - IP21

28-DEC-2012

