



No.:

Date: 28-DEC-2012

Customer :

TECHNICAL PROPOSAL

Single-phase induction motor - Squirrel cage rotor

Product line : Pool & Spa Motors : Square Flange - Start Capacitor - Low Service Factor

Catalog Number : PCQ115

List Price : \$320

Notes:

Performed by:

Checked:



No.:

Date: 28-DEC-2012

DATA SHEET

Single-phase induction motor - Squirrel cage rotor

Customer :
 Product line : Pool & Spa Motors : Square Flange - Start Capacitor - Low Service Factor

Frame : L48Y
 Output : 1.5 HP
 Frequency : 60 Hz
 Poles : 2
 Full load speed : 3450
 Slip : 4.17 %
 Voltage : 115/230 V
 Rated current : 17.7/8.85 A
 Locked rotor current : 104/52.2 A
 Locked rotor current (I_L/I_n) : 5.9
 No-load current : 10.5/5.25 A
 Full load torque : 2.25 lb.ft
 Locked rotor torque : 130 %
 Breakdown torque : 210 %
 Design : ---
 Insulation class : B
 Temperature rise : 80 K
 Locked rotor time : 6 s (hot)
 Service factor : 1.10
 Duty cycle : S1
 Ambient temperature : -20°C - +50°C
 Altitude : 1000
 Degree of Protection : IP21
 Approximate weight : 25 lb
 Moment of inertia : 0.03607 sq.ft.lb
 Noise level : ---

	D.E.	N.D.E.	Load	Power factor	Efficiency (%)
Bearings	6203 2RS	6203 ZZ	100%	0.79	69.6
Regreasing interval	---	---	75%	0.72	69.0
Grease amount	---	---	50%	0.61	64.5

Notes:

Performed by

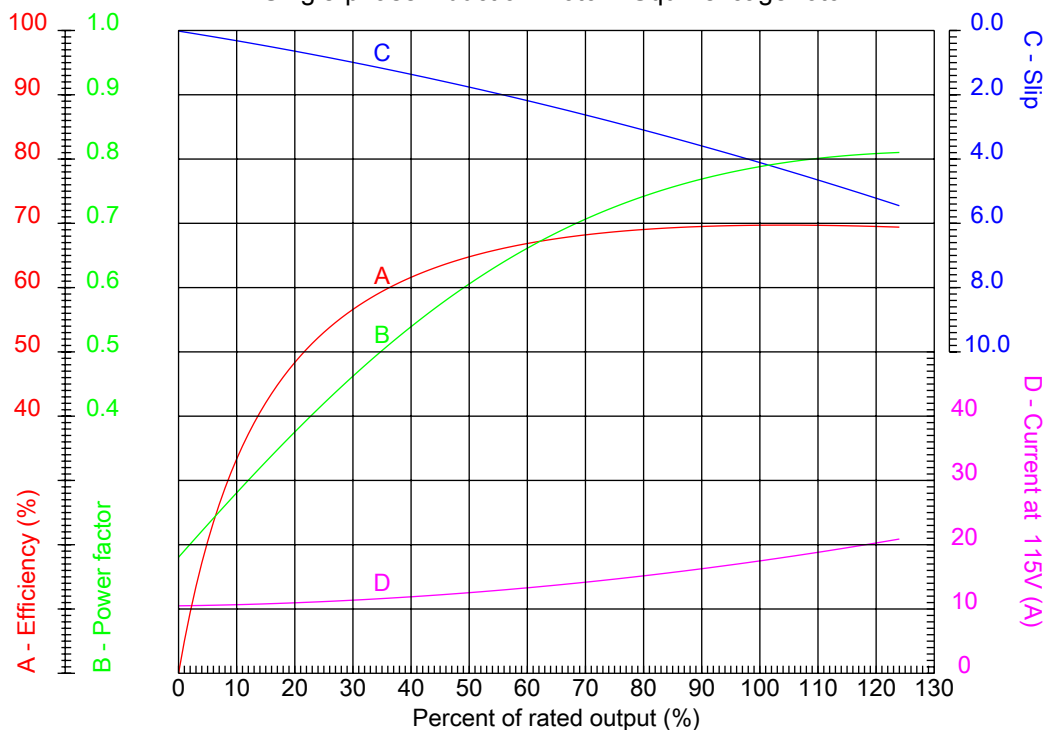
Checked



No.:

Date: 28-DEC-2012

PERFORMANCE CURVES RELATED TO RATED OUTPUT Single-phase induction motor - Squirrel cage rotor



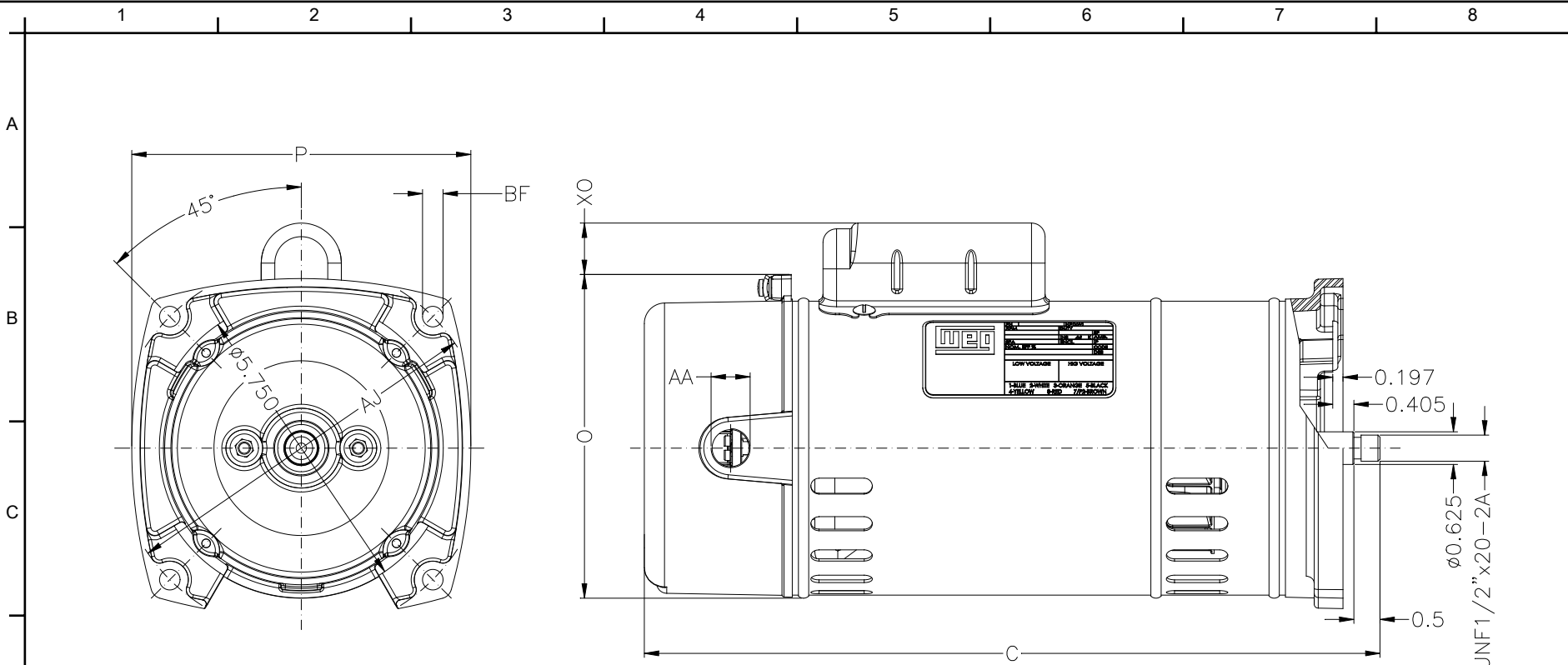
Customer :
Product line : Pool & Spa Motors : Square Flange - Start Capacitor - Low Service Factor

Frame	: L48Y	Locked rotor current (I _l /I _n)	: 5.9
Output	: 1.5 HP	Duty cycle	: S1
Frequency	: 60 Hz	Service factor	: 1.10
Full load speed	: 3450	Design	: ---
Voltage	: 115/230 V	Locked rotor torque	: 130 %
Rated current	: 17.7/8.85 A	Breakdown torque	: 210 %
Insulation class	: B		

Notes:

Performed by

Checked



Notes:

Performed by:

Checked:

Customer:

Pool & Spa Motors : Square Flange - Start Capacitor - Low Service Factor

P 6.496	C 13.504	AA NPT 1/2"	Flange FC-149	AJ 7.126
BD 6.496	BF 10			

Single-phase induction motor
Frame L48Y - IP21

28-DEC-2012

