



No.:

Date: 28-DEC-2012

Customer :

TECHNICAL PROPOSAL

Single-phase induction motor - Squirrel cage rotor

Product line : Pool & Spa Motors : Square Flange - Start Capacitor - High Service Factor

Catalog Number : PCQ115H

List Price : \$411

Notes:

Performed by:

Checked:



No.:

Date: 28-DEC-2012

DATA SHEET

Single-phase induction motor - Squirrel cage rotor

Customer :
Product line : Pool & Spa Motors : Square Flange - Start Capacitor - High Service Factor

Frame : M48Y
Output : 1.5 HP
Frequency : 60 Hz
Poles : 2
Full load speed : 3500
Slip : 2.78 %
Voltage : 230 V
Rated current : 7.50 A
Locked rotor current : 55.5 A
Locked rotor current (I_L/I_n) : 7.4
No-load current : 3.90 A
Full load torque : 2.22 lb.ft
Locked rotor torque : 180 %
Breakdown torque : 310 %
Design : ---
Insulation class : B
Temperature rise : 80 K
Locked rotor time : 6 s (hot)
Service factor : 1.50
Duty cycle : S1
Ambient temperature : -20°C - +50°C
Altitude : 1000
Degree of Protection : IP21
Approximate weight : 23 lb
Moment of inertia : 0.04034 sq.ft.lb
Noise level : ---

	D.E.	N.D.E.	Load	Power factor	Efficiency (%)
Bearings	6203 2RS	6203 ZZ	100%	0.85	76.3
Regreasing interval	---	---	75%	0.80	72.0
Grease amount	---	---	50%	0.72	63.5

Notes:

Performed by

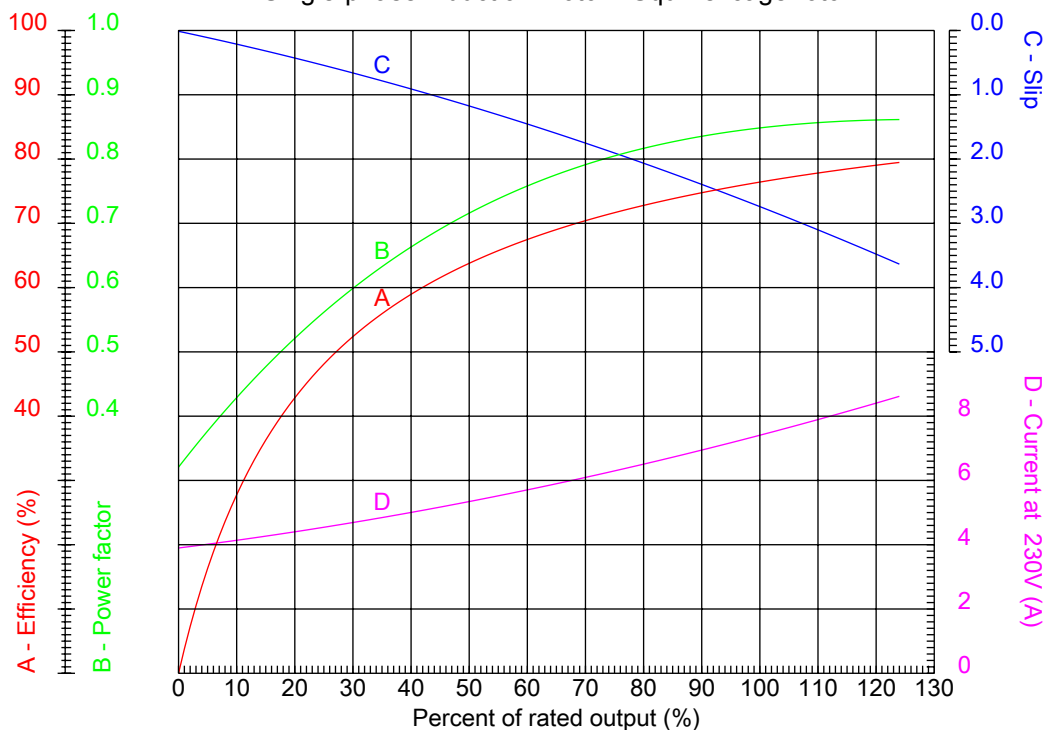
Checked



No.:

Date: 28-DEC-2012

PERFORMANCE CURVES RELATED TO RATED OUTPUT Single-phase induction motor - Squirrel cage rotor



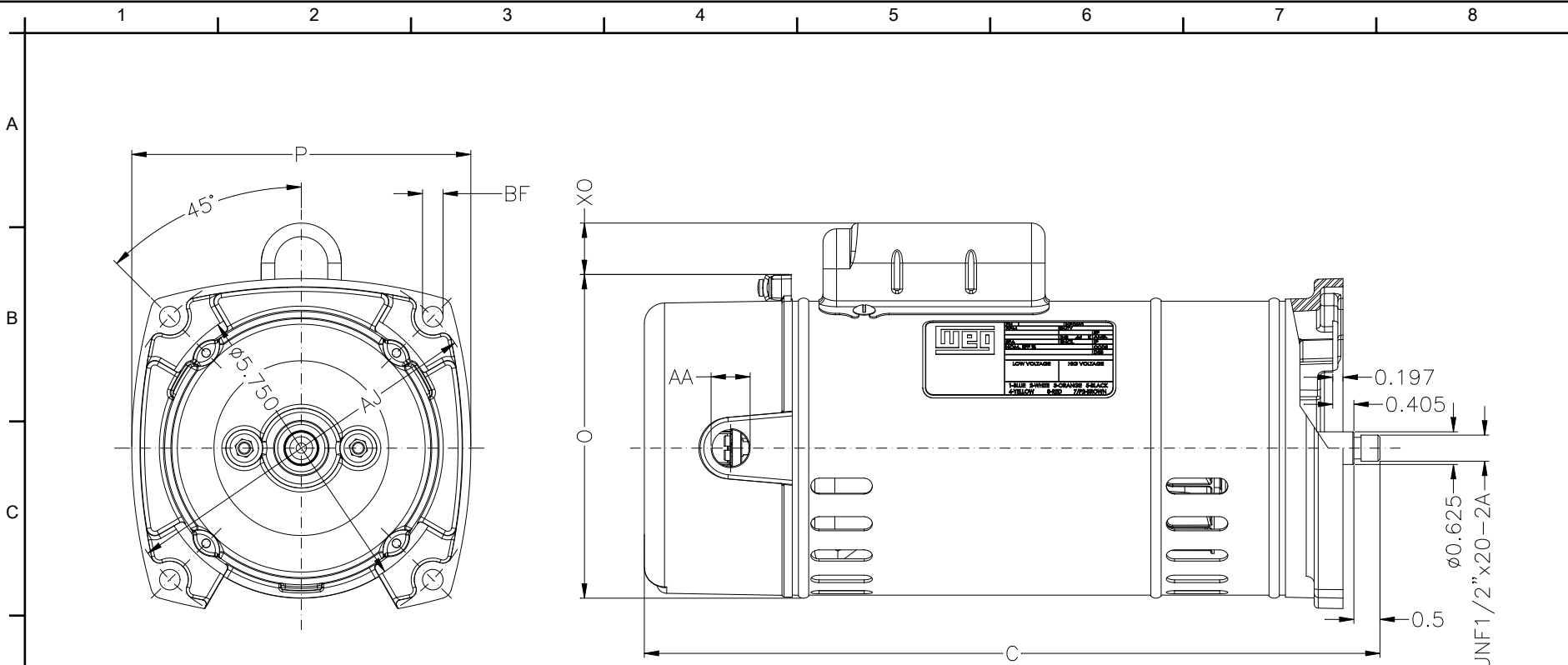
Customer :
Product line : Pool & Spa Motors : Square Flange - Start Capacitor - High Service Factor

Frame	: M48Y	Locked rotor current (I _l /I _n)	: 7.4
Output	: 1.5 HP	Duty cycle	: S1
Frequency	: 60 Hz	Service factor	: 1.50
Full load speed	: 3500	Design	: ---
Voltage	: 230 V	Locked rotor torque	: 180 %
Rated current	: 7.50 A	Breakdown torque	: 310 %
Insulation class	: B		

Notes:

Performed by

Checked



A
B
C
D
E
F

Notes:

Performed by:

Checked:

Customer:

Pool & Spa Motors : Square Flange - Start Capacitor - High Service Factor

P 6.496	C 14.094	AA NPT 1/2"	Flange FC-149	AJ 7.126
BD	BF 10			

Single-phase induction motor Frame M48Y - IP21	28-DEC-2012	
---	-------------	--