



No.:

Date: 28-DEC-2012

Customer :

TECHNICAL PROPOSAL

Single-phase induction motor - Squirrel cage rotor

Product line : Pool & Spa Motors : Square Flange - Start Capacitor - High Service Factor

Catalog Number : PCQ120H

List Price : \$500

Notes:

Performed by:

Checked:



No.:

Date: 28-DEC-2012

## DATA SHEET

### Single-phase induction motor - Squirrel cage rotor

Customer :  
 Product line : Pool & Spa Motors : Square Flange - Start Capacitor - High Service Factor

Frame : M48Y  
 Output : 2 HP  
 Frequency : 60 Hz  
 Poles : 2  
 Full load speed : 3490  
 Slip : 3.06 %  
 Voltage : 230 V  
 Rated current : 9.20 A  
 Locked rotor current : 64.4 A  
 Locked rotor current (I<sub>L</sub>/I<sub>n</sub>) : 7.0  
 No-load current : 3.60 A  
 Full load torque : 2.97 lb.ft  
 Locked rotor torque : 220 %  
 Breakdown torque : 270 %  
 Design : ---  
 Insulation class : B  
 Temperature rise : 80 K  
 Locked rotor time : 6 s (hot)  
 Service factor : 1.30  
 Duty cycle : S1  
 Ambient temperature : -20°C - +50°C  
 Altitude : 1000  
 Degree of Protection : IP21  
 Approximate weight : 30 lb  
 Moment of inertia : 0.04461 sq.ft.lb  
 Noise level : ---

	D.E.	N.D.E.	Load	Power factor	Efficiency (%)
Bearings	6203 2RS	6203 ZZ	100%	0.90	78.3
Regreasing interval	---	---	75%	0.85	73.0
Grease amount	---	---	50%	0.78	66.0

Notes:

Performed by

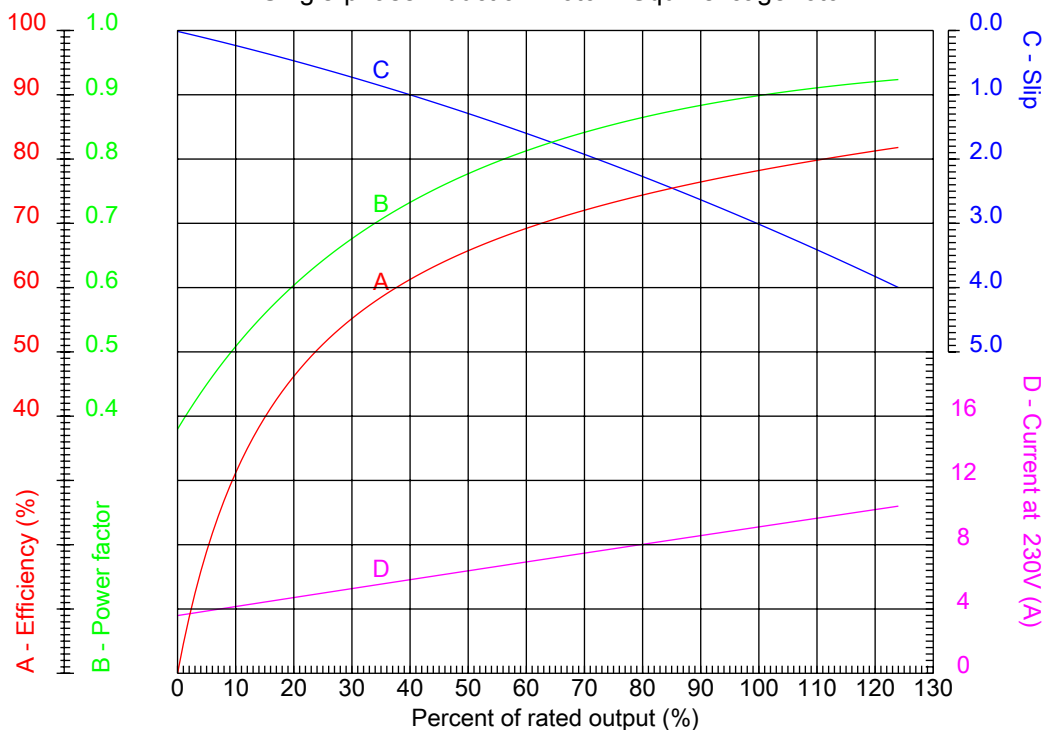
Checked



No.:

Date: 28-DEC-2012

PERFORMANCE CURVES RELATED TO RATED OUTPUT  
Single-phase induction motor - Squirrel cage rotor



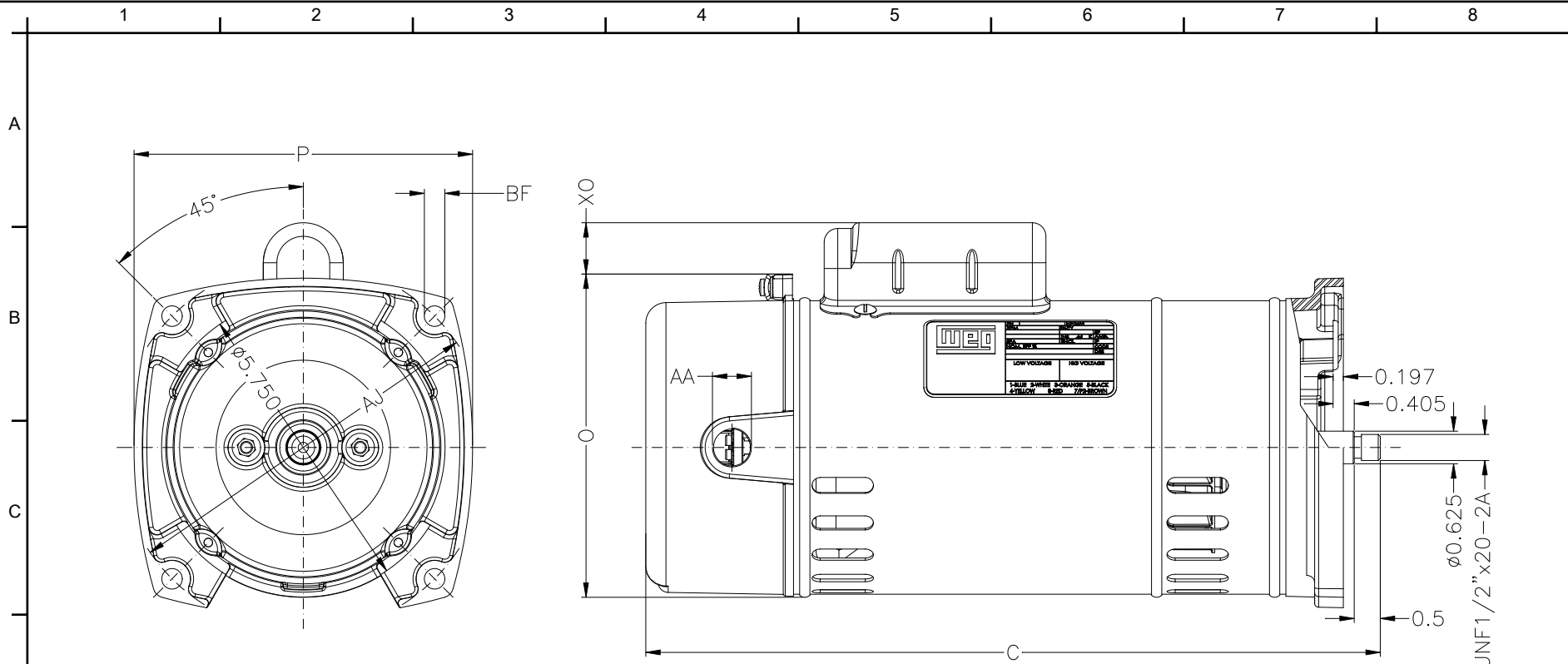
Customer :  
Product line : Pool & Spa Motors : Square Flange - Start Capacitor - High Service Factor

Frame	: M48Y	Locked rotor current (I <sub>l</sub> /I <sub>n</sub> )	: 7.0
Output	: 2 HP	Duty cycle	: S1
Frequency	: 60 Hz	Service factor	: 1.30
Full load speed	: 3490	Design	: ---
Voltage	: 230 V	Locked rotor torque	: 220 %
Rated current	: 9.20 A	Breakdown torque	: 270 %
Insulation class	: B		

Notes:

Performed by

Checked



Notes:

Performed by:

Checked:

Customer:

Pool & Spa Motors : Square Flange - Start Capacitor - High Service Factor

P 6.496	C 14.094	AA NPT 1/2"	Flange FC-149	AJ 7.126
BD	BF 10			

Single-phase induction motor  
Frame M48Y - IP21

28-DEC-2012

