



No.:

Date: 28-DEC-2012

Customer :

TECHNICAL PROPOSAL

Single-phase induction motor - Squirrel cage rotor

Product line : Pool & Spa Motors : Square Flange - Start Capacitor - Low Service Factor

Catalog Number : PCQ125

List Price : \$500

Notes:

Performed by:

Checked:



No.:

Date: 28-DEC-2012

## DATA SHEET

### Single-phase induction motor - Squirrel cage rotor

Customer :  
Product line : Pool & Spa Motors : Square Flange - Start Capacitor - Low Service Factor

Frame : M48Y  
Output : 2.5 HP  
Frequency : 60 Hz  
Poles : 2  
Full load speed : 3450  
Slip : 4.17 %  
Voltage : 230 V  
Rated current : 10.8 A  
Locked rotor current : 63.7 A  
Locked rotor current (I<sub>L</sub>/I<sub>n</sub>) : 5.9  
No-load current : 3.40 A  
Full load torque : 3.75 lb.ft  
Locked rotor torque : 170 %  
Breakdown torque : 210 %  
Design : ---  
Insulation class : B  
Temperature rise : 80 K  
Locked rotor time : 6 s (hot)  
Service factor : 1.04  
Duty cycle : S1  
Ambient temperature : -20°C - +50°C  
Altitude : 1000  
Degree of Protection : IP21  
Approximate weight : 32 lb  
Moment of inertia : 0.04461 sq.ft.lb  
Noise level : ---

	D.E.	N.D.E.	Load	Power factor	Efficiency (%)
Bearings	6203 2RS	6203 ZZ	100%	0.93	80.7
Regreasing interval	---	---	75%	0.00	79.0
Grease amount	---	---	50%	0.00	00.0

Notes:

Performed by

Checked

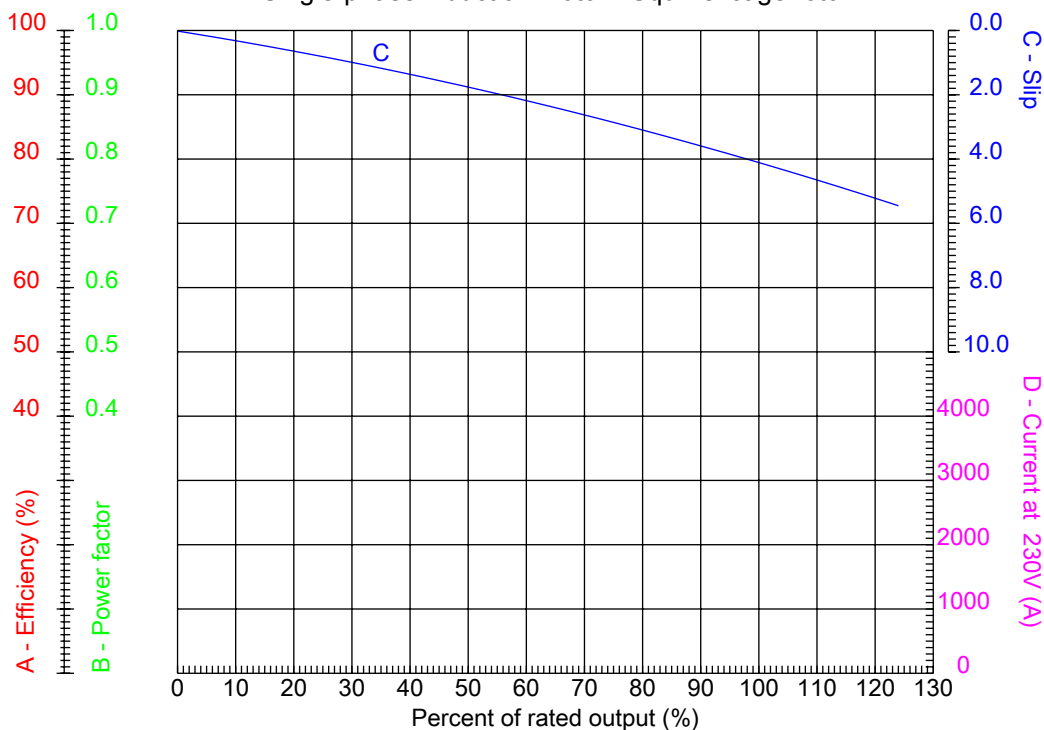


No.:

Date: 28-DEC-2012

### PERFORMANCE CURVES RELATED TO RATED OUTPUT

Single-phase induction motor - Squirrel cage rotor



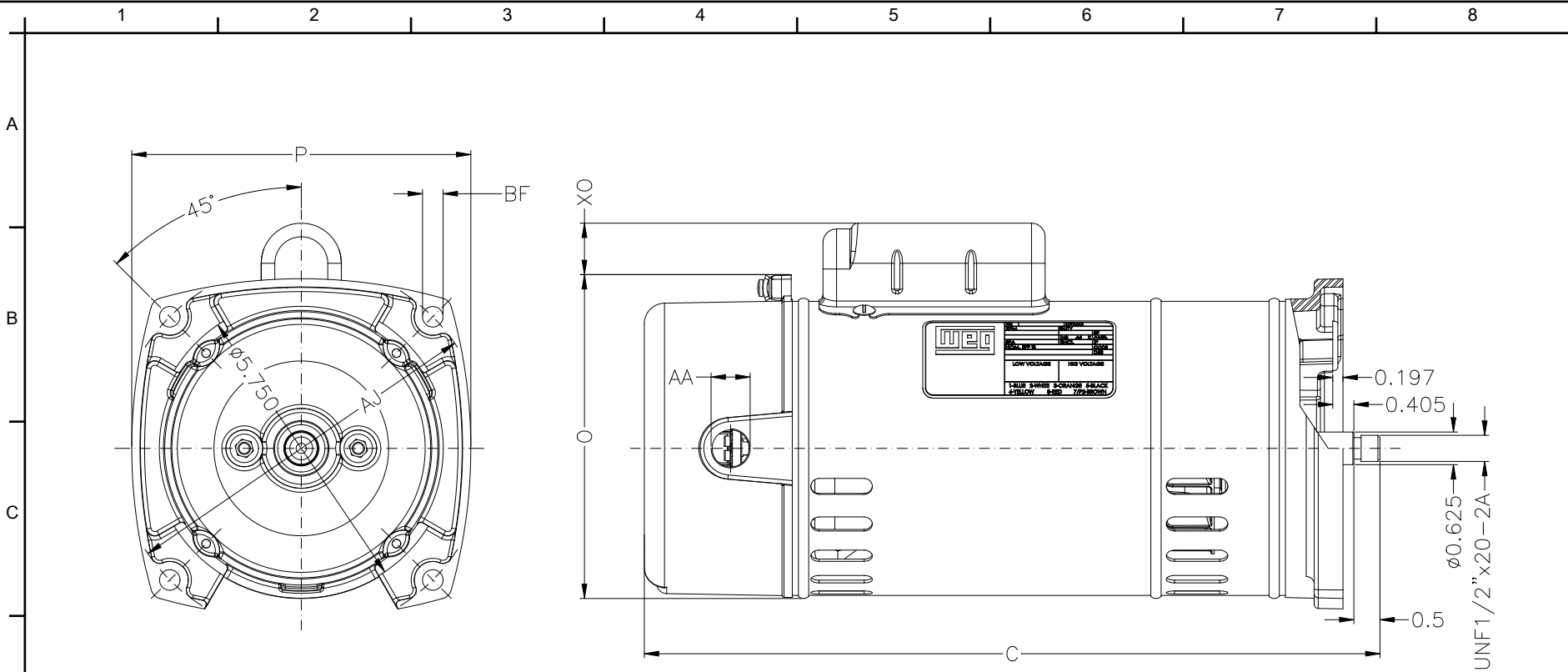
Customer :  
Product line : Pool & Spa Motors : Square Flange - Start Capacitor - Low Service Factor

Frame	: M48Y	Locked rotor current (I <sub>l</sub> /I <sub>n</sub> )	: 5.9
Output	: 2.5 HP	Duty cycle	: S1
Frequency	: 60 Hz	Service factor	: 1.04
Full load speed	: 3450	Design	: ---
Voltage	: 230 V	Locked rotor torque	: 170 %
Rated current	: 10.8 A	Breakdown torque	: 210 %
Insulation class	: B		

Notes:

Performed by

Checked



Notes:

Performed by:

Checked:

Customer:

Pool & Spa Motors : Square Flange - Start Capacitor - Low Service Factor

P 6.496	C 14.094	AA NPT 1/2"	Flange FC-149	AJ 7.126
BD 6.496	BF 10			

Single-phase induction motor  
Frame M48Y - IP21

28-DEC-2012

