



No.:

Date: 24-DEC-2012

Customer :

TECHNICAL PROPOSAL
Single-phase induction motor - Squirrel cage rotor

Product line : Single-Phase : NEMA 48 & 56 ODP - Start Capacitor

Catalog Number : .5018OS1BC48

List Price : \$273

Notes:

Performed by:

Checked:



No.:

Date: 24-DEC-2012

DATA SHEET

Single-phase induction motor - Squirrel cage rotor

Customer :
Product line : Single-Phase : NEMA 48 & 56 ODP - Start Capacitor

Frame : C48
Output : 0.5 HP
Frequency : 60 Hz
Poles : 4
Full load speed : 1730
Slip : 3.89 %
Voltage : 115/208-230 V
Rated current : 8.50/4.10-4.25 A
Locked rotor current : 45.9/23.0 A
Locked rotor current (I_L/I_n) : 5.4
No-load current : 6.80/3.40 A
Full load torque : 1.50 lb.ft
Locked rotor torque : 330 %
Breakdown torque : 240 %
Design : ---
Insulation class : B
Temperature rise : 80 K
Locked rotor time : 6 s (hot)
Service factor : 1.25 (1.00 at 208V)
Duty cycle : S1
Ambient temperature : -20°C - +40°C
Altitude : 1000
Degree of Protection : IP21
Approximate weight : 24 lb
Moment of inertia : 0.04817 sq.ft.lb
Noise level : ---

	D.E.	N.D.E.	Load	Power factor	Efficiency (%)
Bearings	6203 ZZ	6202 ZZ	100%	0.61	61.7
Regreasing interval	---	---	75%	0.52	59.0
Grease amount	---	---	50%	0.43	53.0

Notes:

Performed by

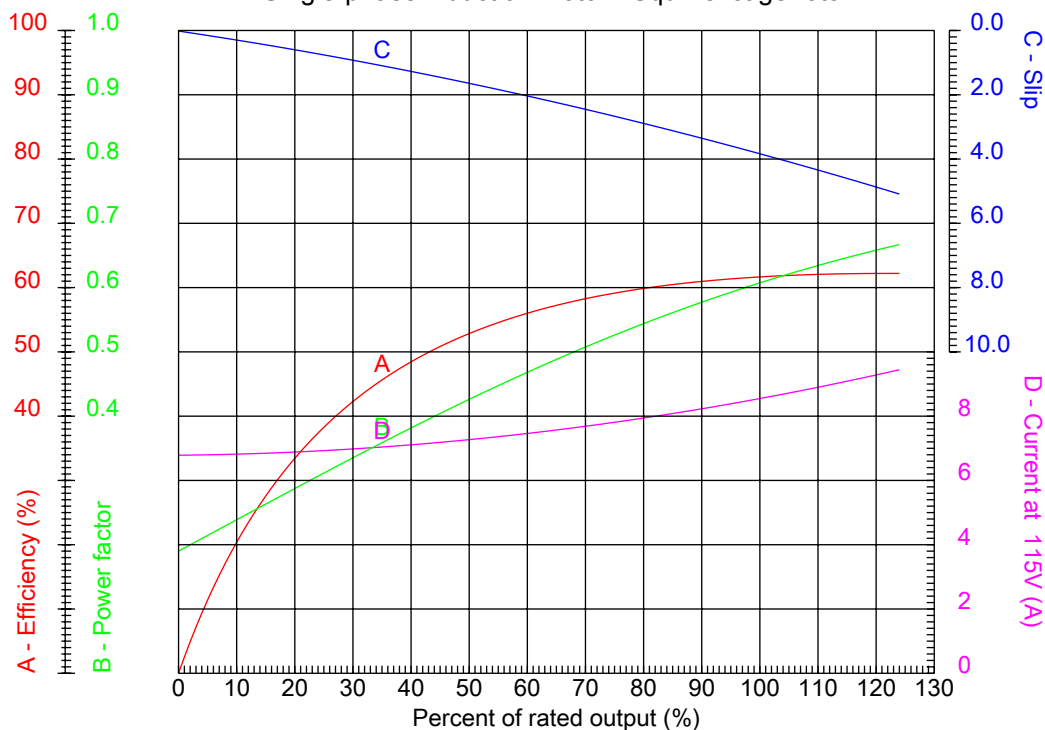
Checked



No.:

Date: 24-DEC-2012

PERFORMANCE CURVES RELATED TO RATED OUTPUT
Single-phase induction motor - Squirrel cage rotor



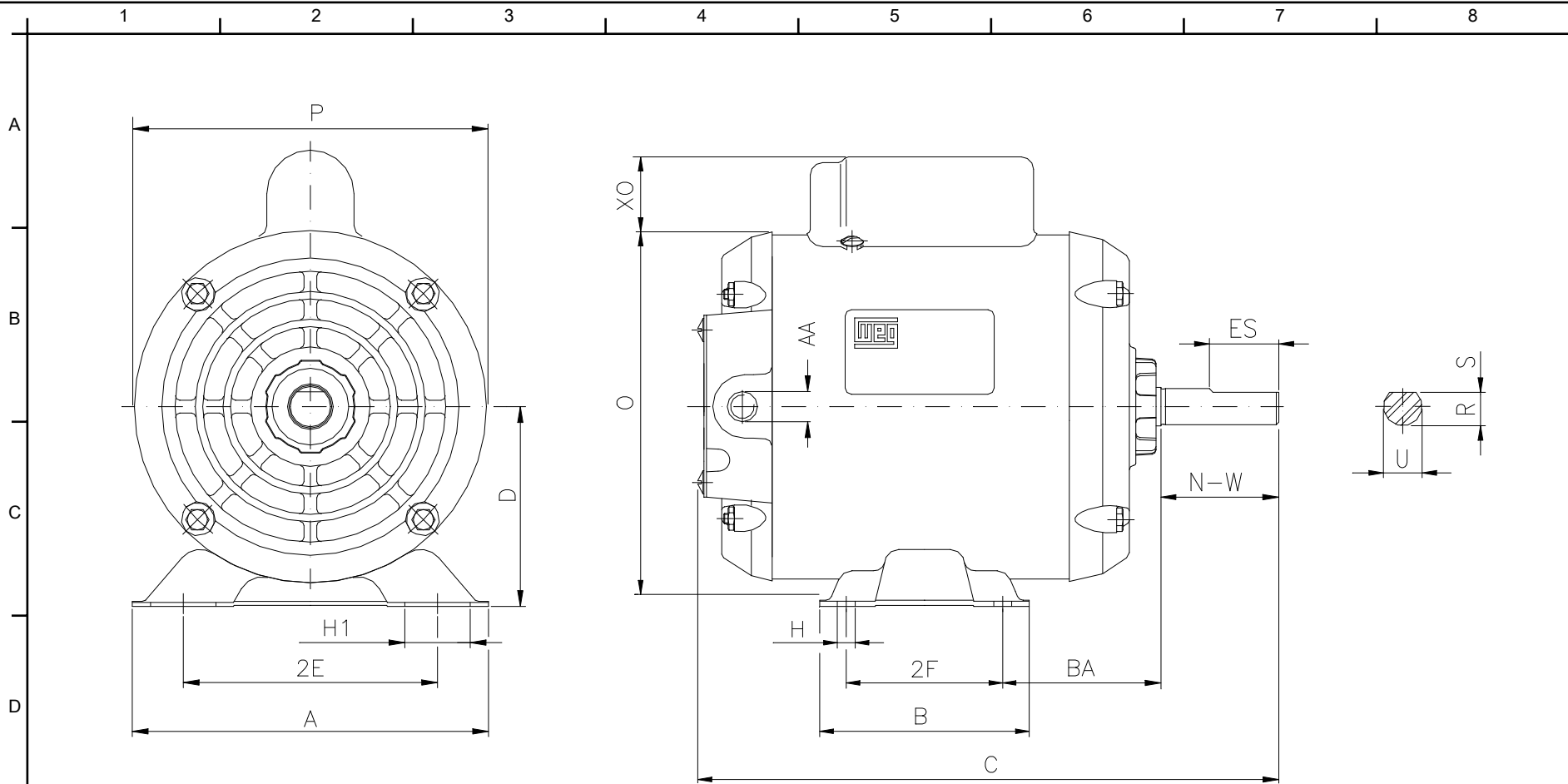
Customer :
Product line : Single-Phase : NEMA 48 & 56 ODP - Start Capacitor

Frame	: C48	Locked rotor current (I _l /I _n)	: 5.4
Output	: 0.5 HP	Duty cycle	: S1
Frequency	: 60 Hz	Service factor	: 1.25 (1.00 at 208V)
Full load speed	: 1730	Design	: ---
Voltage	: 115/208-230 V	Locked rotor torque	: 330 %
Rated current	: 8.50/4.10-4.25 A	Breakdown torque	: 240 %
Insulation class	: B		

Notes:

Performed by

Checked



Notes:

Performed by:

Checked:

Customer:

Single-Phase : NEMA 48 & 56 ODP - Start Capacitor

Single-phase induction motor
Frame C48 - IP21

24-DEC-2012



	2E 4.236	2F 2.748	H 0.342	H1 31	BA 2.500
	A 6.142	B 3.543	C 10.197	D 3.000	G 3.04
	O 5.905	XO 1.496	P 5.708	ES 1.260	N-W 1.500
F	U 0.5000	R 0.453	AA NPT 1/2"	Flange FC-95	AJ 3.748
	AK 3.000	BD 5.748	BF UNC 1/4"x20-2B	BB 0.157	BC ---
	AH 1.689				