



No.:

Date: 31-DEC-2012

Customer :

TECHNICAL PROPOSAL

Three-phase induction motor - Squirrel cage rotor

Product line : W22 Cooling Tower Motors: NEMA Premium

Catalog Number : 00118ET3ECT143TF1-W2

List Price : \$647

Notes:

Performed by:

Checked:



No.:

Date: 31-DEC-2012

## DATA SHEET

### Three-phase induction motor - Squirrel cage rotor

Customer :  
Product line : W22 Cooling Tower Motors: NEMA Premium

Frame : 145T  
Output : 1 HP  
Frequency : 60 Hz  
Poles : 4  
Full load speed : 1760  
Slip : 2.22 %  
Voltage : 208-230/460 V  
Rated current : 3.07-2.82/1.41 A  
Locked rotor current : 23.7/11.8 A  
Locked rotor current (I<sub>L</sub>/I<sub>n</sub>) : 8.4  
No-load current : 1.54/0.770 A  
Full load torque : 2.94 lb.ft  
Locked rotor torque : 280 %  
Breakdown torque : 350 %  
Design : B  
Insulation class : F  
Temperature rise : 80 K  
Locked rotor time : 18 s (hot)  
Service factor : 1.25  
Duty cycle : S1  
Ambient temperature : -20°C - +40°C  
Altitude : 1000  
Degree of Protection : IP55  
Approximate weight : 41 lb  
Moment of inertia : 0.11723 sq.ft.lb  
Noise level : 51 dB(A)

	D.E.	N.D.E.	Load	Power factor	Efficiency (%)
Bearings	6205 ZZ	6204 ZZ	100%	0.78	85.5
Regreasing interval	---	---	75%	0.70	84.0
Grease amount	---	---	50%	0.60	80.0

Notes:

Performed by

Checked

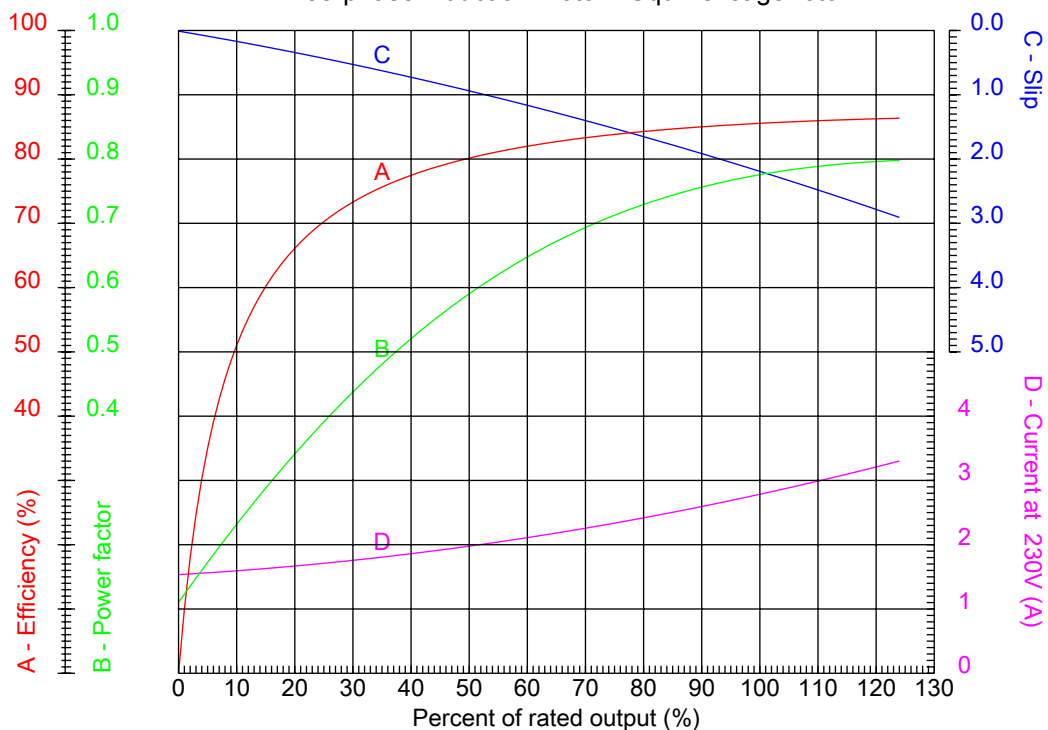


No.:

Date: 31-DEC-2012

### PERFORMANCE CURVES RELATED TO RATED OUTPUT

Three-phase induction motor - Squirrel cage rotor



Customer :  
Product line : W22 Cooling Tower Motors: NEMA Premium

Frame	: 145T	Locked rotor current (I <sub>l</sub> /I <sub>n</sub> )	: 8.4
Output	: 1 HP	Duty cycle	: S1
Frequency	: 60 Hz	Service factor	: 1.25
Full load speed	: 1760	Design	: B
Voltage	: 208-230/460 V	Locked rotor torque	: 280 %
Rated current	: 3.07-2.82/1.41 A	Breakdown torque	: 350 %
Insulation class	: F		

Notes:

Performed by

Checked

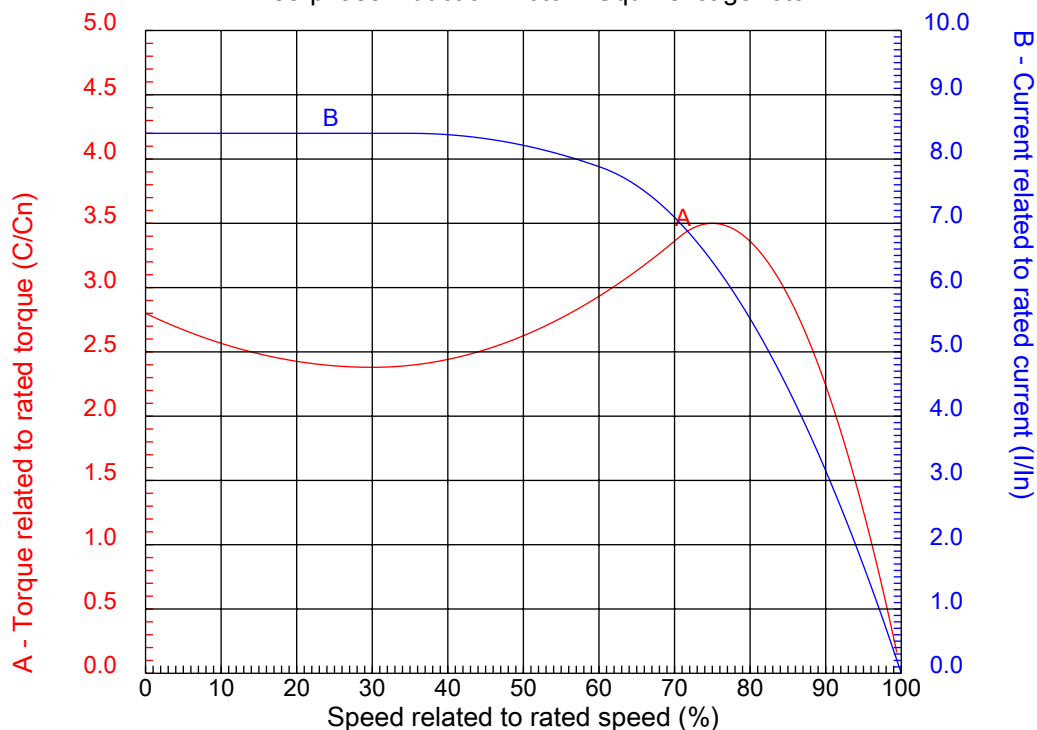


No.:

Date: 31-DEC-2012

### CHARACTERISTIC CURVES RELATED TO SPEED

Three-phase induction motor - Squirrel cage rotor



Customer :  
Product line : W22 Cooling Tower Motors: NEMA Premium

Frame	: 145T	Locked rotor current (I <sub>l</sub> /I <sub>ln</sub> )	: 8.4
Output	: 1 HP	Duty cycle	: S1
Frequency	: 60 Hz	Service factor	: 1.25
Full load speed	: 1760	Design	: B
Voltage	: 208-230/460 V	Locked rotor torque	: 280 %
Rated current	: 3.07-2.82/1.41 A	Breakdown torque	: 350 %
Insulation class	: F		

Notes:

Performed by

Checked

1 2 3 4 5 6 7 8

A

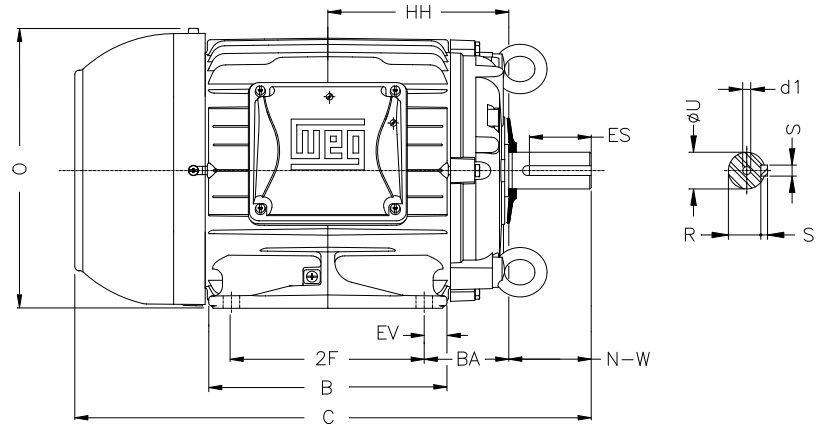
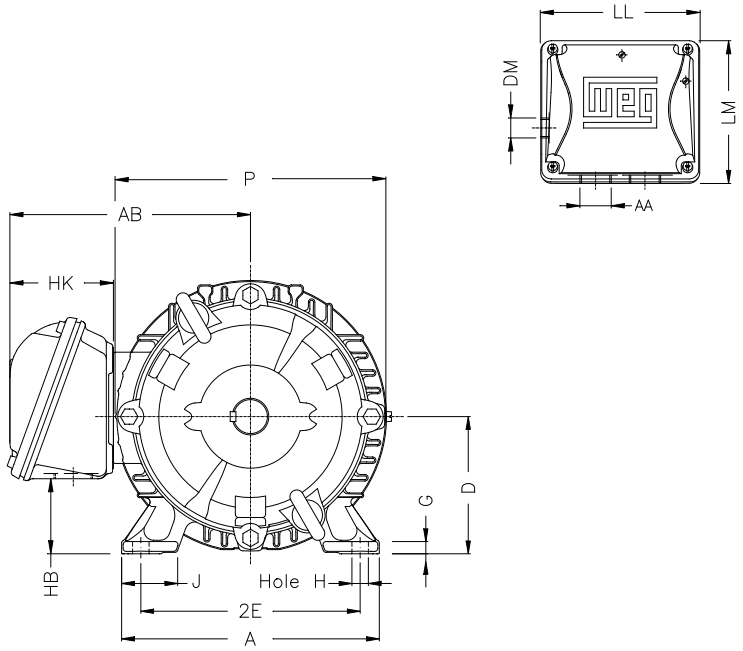
B

C

D

E

F



Notes:

Performed by:

Checked:

Customer:

W22 Cooling Tower Motors: NEMA Premium

Three-phase induction motor  
Frame 145T - IP55

31-DEC-2012



2E 5.500	J 1.437	A 6.457	P 6.850	AB 6.260
2F 5.000	B 6.142	BA 2.250	U 0.875	N-W 2.250
ES 1.575	S 0.187	R 0.765	depth 0.187	D 3.500
G 0.354	HB 1.788	O 7.122	HF 3.500	HH 4.750
HK 2.717	H 0.344	C 13.346	LL 4.527	LM 4.094
AA NPT 3/4"	d1 A 4	d2 A 4		