



No.:

Date: 31-DEC-2012

Customer :

TECHNICAL PROPOSAL

Three-phase induction motor - Squirrel cage rotor

Product line : W22 Cooling Tower Motors: NEMA Premium

Catalog Number : 00512ET3ECT215TF1-W2

List Price : \$1,517

Notes:

Performed by:

Checked:



No.:

Date: 31-DEC-2012

## DATA SHEET

### Three-phase induction motor - Squirrel cage rotor

Customer :  
Product line : W22 Cooling Tower Motors: NEMA Premium

Frame : 215T  
Output : 5 HP  
Frequency : 60 Hz  
Poles : 6  
Full load speed : 1160  
Slip : 3.33 %  
Voltage : 208-230/460 V  
Rated current : 15.1-13.7/6.83 A  
Locked rotor current : 90.1/45.0 A  
Locked rotor current (I<sub>L</sub>/I<sub>n</sub>) : 6.6  
No-load current : 7.50/3.75 A  
Full load torque : 22.3 lb.ft  
Locked rotor torque : 190 %  
Breakdown torque : 240 %  
Design : B  
Insulation class : F  
Temperature rise : 80 K  
Locked rotor time : 57 s (hot)  
Service factor : 1.25  
Duty cycle : S1  
Ambient temperature : -20°C - +40°C  
Altitude : 1000  
Degree of Protection : IP55  
Approximate weight : 162 lb  
Moment of inertia : 1.4717 sq.ft.lb  
Noise level : 55 dB(A)

	D.E.	N.D.E.	Load	Power factor	Efficiency (%)
Bearings	6308 ZZ	6207 ZZ	100%	0.76	89.5
Regreasing interval	---	---	75%	0.70	89.5
Grease amount	---	---	50%	0.58	88.5

Notes:

Performed by

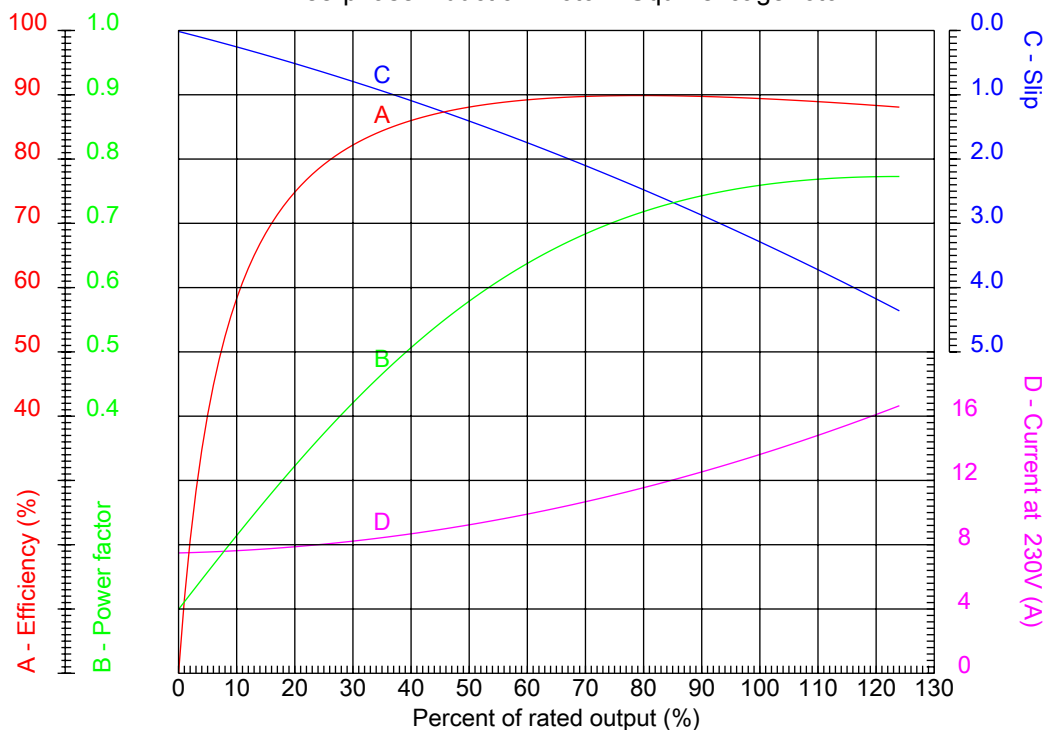
Checked



No.:

Date: 31-DEC-2012

PERFORMANCE CURVES RELATED TO RATED OUTPUT  
Three-phase induction motor - Squirrel cage rotor



Customer :  
Product line : W22 Cooling Tower Motors: NEMA Premium

Frame	: 215T	Locked rotor current (I <sub>l</sub> /I <sub>n</sub> )	: 6.6
Output	: 5 HP	Duty cycle	: S1
Frequency	: 60 Hz	Service factor	: 1.25
Full load speed	: 1160	Design	: B
Voltage	: 208-230/460 V	Locked rotor torque	: 190 %
Rated current	: 15.1-13.7/6.83 A	Breakdown torque	: 240 %
Insulation class	: F		

Notes:

Performed by

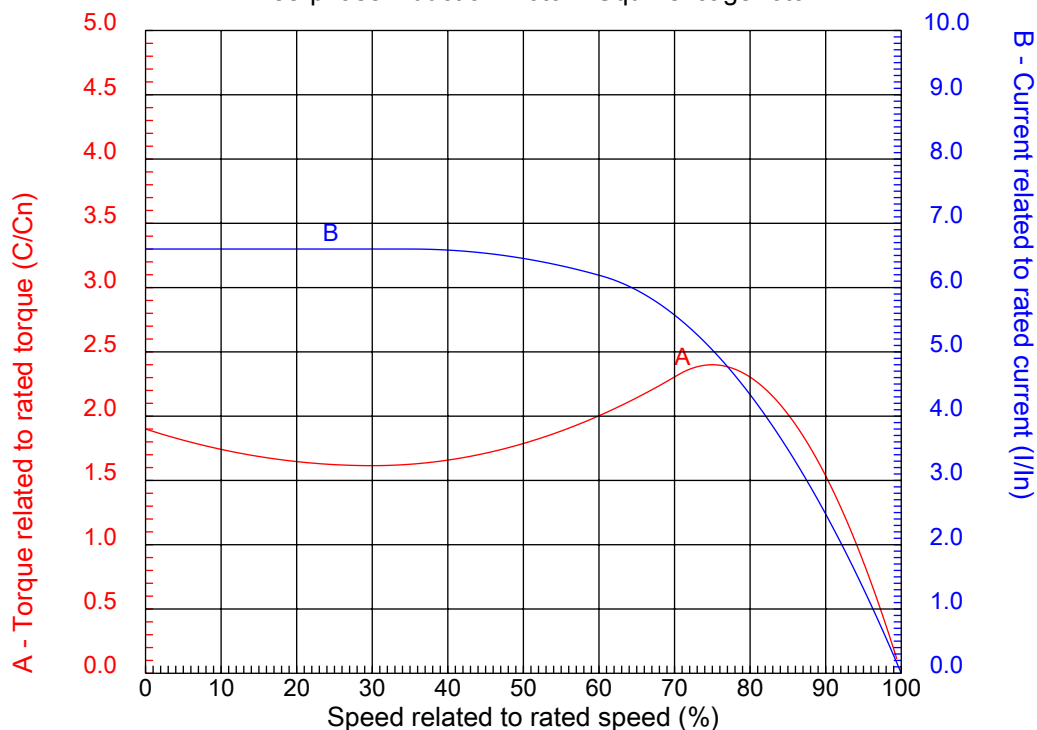
Checked



No.:

Date: 31-DEC-2012

### CHARACTERISTIC CURVES RELATED TO SPEED Three-phase induction motor - Squirrel cage rotor



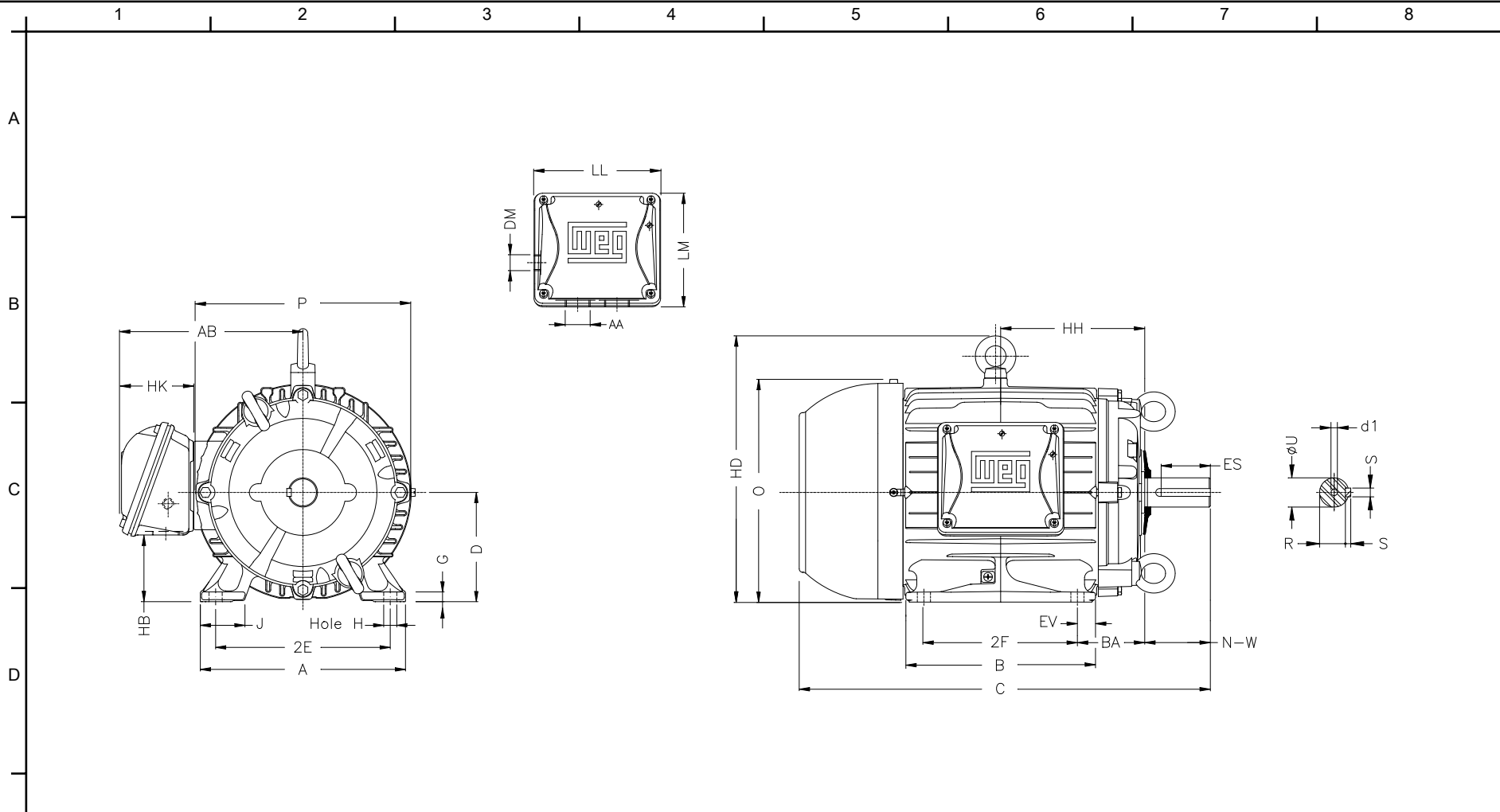
Customer :  
Product line : W22 Cooling Tower Motors: NEMA Premium

Frame	: 215T	Locked rotor current (I <sub>l</sub> /I <sub>n</sub> )	: 6.6
Output	: 5 HP	Duty cycle	: S1
Frequency	: 60 Hz	Service factor	: 1.25
Full load speed	: 1160	Design	: B
Voltage	: 208-230/460 V	Locked rotor torque	: 190 %
Rated current	: 15.1-13.7/6.83 A	Breakdown torque	: 240 %
Insulation class	: F		

Notes:

Performed by

Checked



Notes:

2E	J	A	P	AB
8.500	1.791	9.764	10.236	8.667
2F	K	B	BA	U
7.000	2.165	8.858	3.500	1.375
N-W	ES	S	R	depth
3.375	2.480	0.313	1.203	0.313
D	G	HB	O	T
5.250	0.669	3.006	10.841	1.772
HD	HF	HH	HK	H
12.613	5.250	7.000	3.155	0.406
C	LL	LM	AA	d1
19.517	5.512	5.236	NPT 1"	A 4
d2				
A 4				

Performed by:

Checked:

Customer:

W22 Cooling Tower Motors: NEMA Premium

Three-phase induction motor  
Frame 215T - IP55

31-DEC-2012

