



No.:

Date: 31-DEC-2012

Customer :

TECHNICAL PROPOSAL

Three-phase induction motor - Squirrel cage rotor

Product line : Cooling Tower Motors : NEMA Premium

Catalog Number : 00712ET3HCT254T

List Price : \$2,433

Notes:

Performed by:

Checked:



No.:

Date: 31-DEC-2012

DATA SHEET

Three-phase induction motor - Squirrel cage rotor

Customer :
 Product line : Cooling Tower Motors : NEMA Premium

Frame : 254T
 Output : 7.5 HP
 Frequency : 60 Hz
 Poles : 6
 Full load speed : 1170
 Slip : 2.50 %
 Voltage : 575 V
 Rated current : 7.78 A
 Locked rotor current : 54.5 A
 Locked rotor current (I_L/I_n) : 7.0
 No-load current : 4.20 A
 Full load torque : 33.2 lb.ft
 Locked rotor torque : 230 %
 Breakdown torque : 310 %
 Design : B
 Insulation class : F
 Temperature rise : 80 K
 Locked rotor time : 26 s (hot)
 Service factor : 1.25
 Duty cycle : S1
 Ambient temperature : -20°C - +40°C
 Altitude : 1000
 Degree of Protection : IP55
 Approximate weight : 256 lb
 Moment of inertia : 3.9197 sq.ft.lb
 Noise level : 59 dB(A)

	D.E.	N.D.E.
Bearings	6309 2RS	6209 2RS
Regreasing interval	---	---
Grease amount	---	---

Load	Power factor	Efficiency (%)
100%	0.78	91.0
75%	0.71	91.0
50%	0.58	89.5

Notes:

Performed by

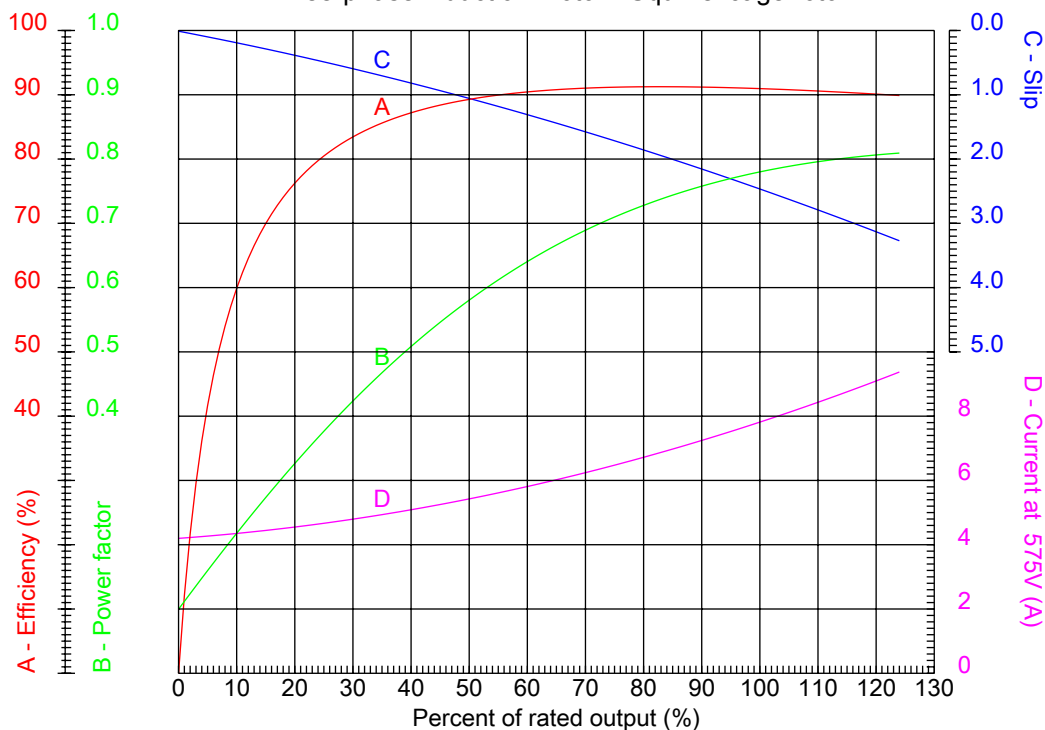
Checked



No.:

Date: 31-DEC-2012

PERFORMANCE CURVES RELATED TO RATED OUTPUT Three-phase induction motor - Squirrel cage rotor



Customer :
Product line : Cooling Tower Motors : NEMA Premium

Frame	: 254T	Locked rotor current (I _l /I _n)	: 7.0
Output	: 7.5 HP	Duty cycle	: S1
Frequency	: 60 Hz	Service factor	: 1.25
Full load speed	: 1170	Design	: B
Voltage	: 575 V	Locked rotor torque	: 230 %
Rated current	: 7.78 A	Breakdown torque	: 310 %
Insulation class	: F		

Notes:

Performed by

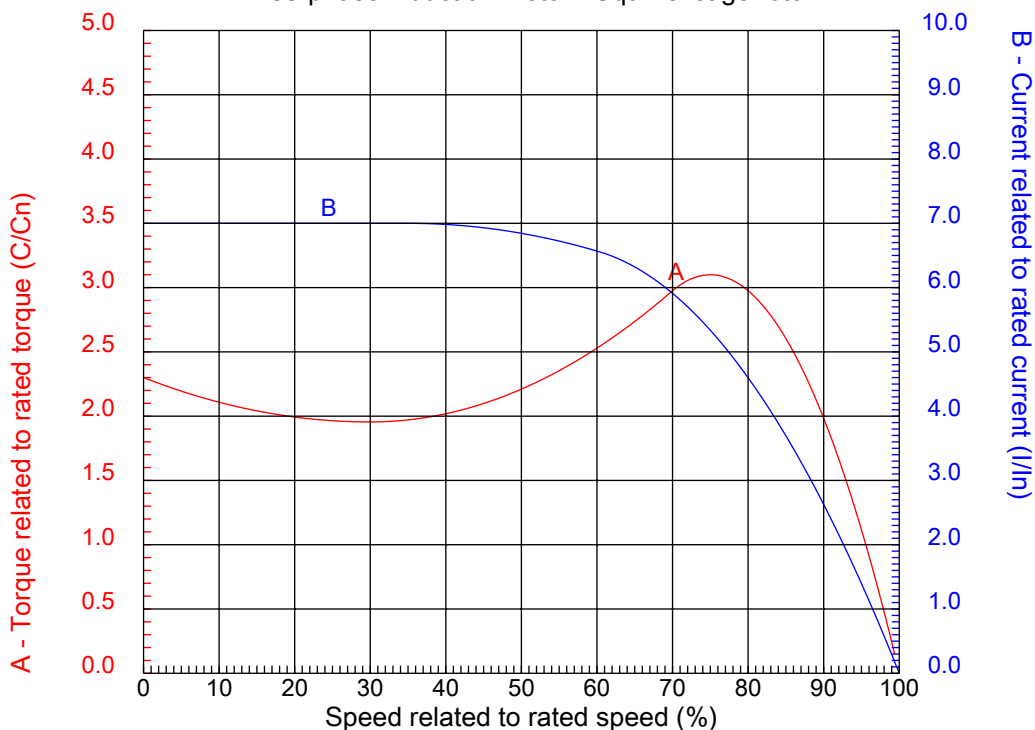
Checked



No.:

Date: 31-DEC-2012

CHARACTERISTIC CURVES RELATED TO SPEED Three-phase induction motor - Squirrel cage rotor



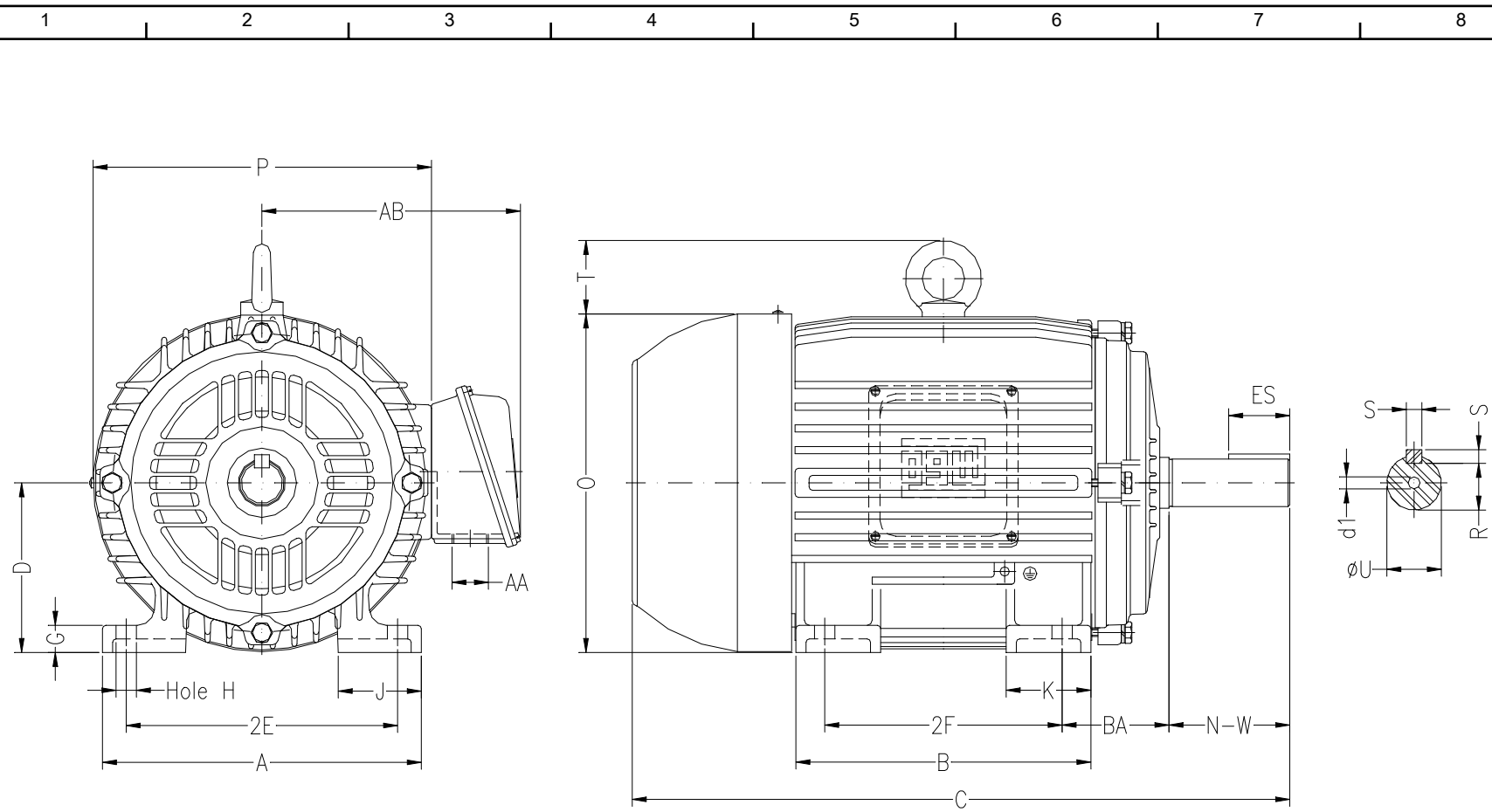
Customer :
Product line : Cooling Tower Motors : NEMA Premium

Frame	: 254T	Locked rotor current (I _l /I _n)	: 7.0
Output	: 7.5 HP	Duty cycle	: S1
Frequency	: 60 Hz	Service factor	: 1.25
Full load speed	: 1170	Design	: B
Voltage	: 575 V	Locked rotor torque	: 230 %
Rated current	: 7.78 A	Breakdown torque	: 310 %
Insulation class	: F		

Notes:

Performed by

Checked



Notes:

Performed by:

Checked:

Customer:

Cooling Tower Motors : NEMA Premium

Three-phase induction motor
Frame 254T - IP55

31-DEC-2012



2E 10.000	2F 8.252	H 0.531	BA 4.250	A 12.126
B 10.000	C 23.213	D 6.250	G 0.817	J 2.520
K 2.559	O 12.431	P 12.283	ES 2.756	S 0.375
N-W 4.000	U 1.625	R 1.406	AB 10.079	AA NPT 1 1/2"
d1 A 4	Flange FD-317	AJ 12.500	AK 11.000	BD 14.000
BF 0.828	BB 0.203			