



No.:

Date: 31-DEC-2012

Customer :

TECHNICAL PROPOSAL

Three-phase induction motor - Squirrel cage rotor

Product line : Cooling Tower Motors : High Efficiency - Two Speed

Catalog Number : 00789EP3PCT254V2

List Price : \$2,808

Notes:

Performed by:

Checked:



No.:

Date: 31-DEC-2012

## DATA SHEET

### Three-phase induction motor - Squirrel cage rotor

Customer :  
Product line : Cooling Tower Motors : High Efficiency - Two Speed

Frame : 254T  
Output : 1.75 HP  
Frequency : 60 Hz  
Poles : 8  
Full load speed : 885  
Slip : 1.67 %  
Voltage : 200 V  
Rated current : 10.6 A  
Locked rotor current : 39.1 A  
Locked rotor current (I<sub>L</sub>/I<sub>n</sub>) : 3.7  
No-load current : 9.20 A  
Full load torque : 10.2 lb.ft  
Locked rotor torque : 220 %  
Breakdown torque : 280 %  
Design : A  
Insulation class : F  
Temperature rise : 80 K  
Locked rotor time : 24 s (hot)  
Service factor : 1.15  
Duty cycle : S1  
Ambient temperature : -20°C - +40°C  
Altitude : 1000  
Degree of Protection : IP55  
Approximate weight : 265 lb  
Moment of inertia : 2.6198 sq.ft.lb  
Noise level : 54 dB(A)

	D.E.	N.D.E.	Load	Power factor	Efficiency (%)
Bearings	6309 2RS	6209 2RS	100%	0.48	74.0
Regreasing interval	---	---	75%	0.40	75.0
Grease amount	---	---	50%	0.32	66.0

Notes:

Performed by

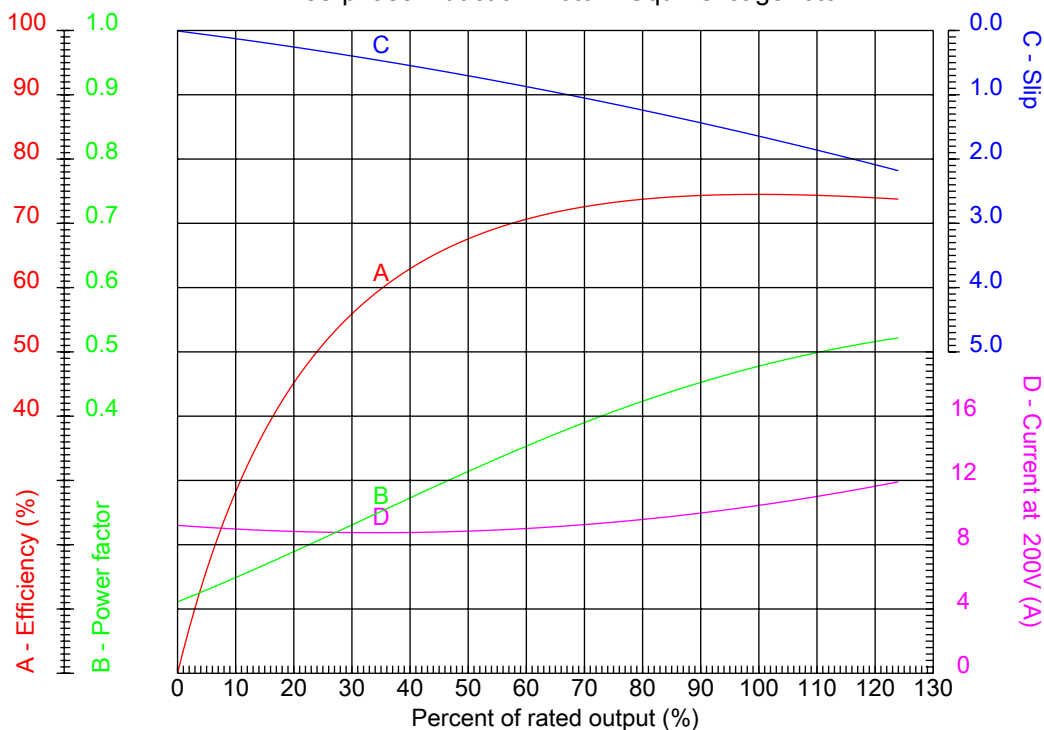
Checked



No.:

Date: 31-DEC-2012

### PERFORMANCE CURVES RELATED TO RATED OUTPUT Three-phase induction motor - Squirrel cage rotor



Customer :  
Product line : Cooling Tower Motors : High Efficiency - Two Speed

Frame	: 254T	Locked rotor current (I <sub>l</sub> /I <sub>n</sub> )	: 3.7
Output	: 1.75 HP	Duty cycle	: S1
Frequency	: 60 Hz	Service factor	: 1.15
Full load speed	: 885	Design	: A
Voltage	: 200 V	Locked rotor torque	: 220 %
Rated current	: 10.6 A	Breakdown torque	: 280 %
Insulation class	: F		

Notes:

Performed by

Checked

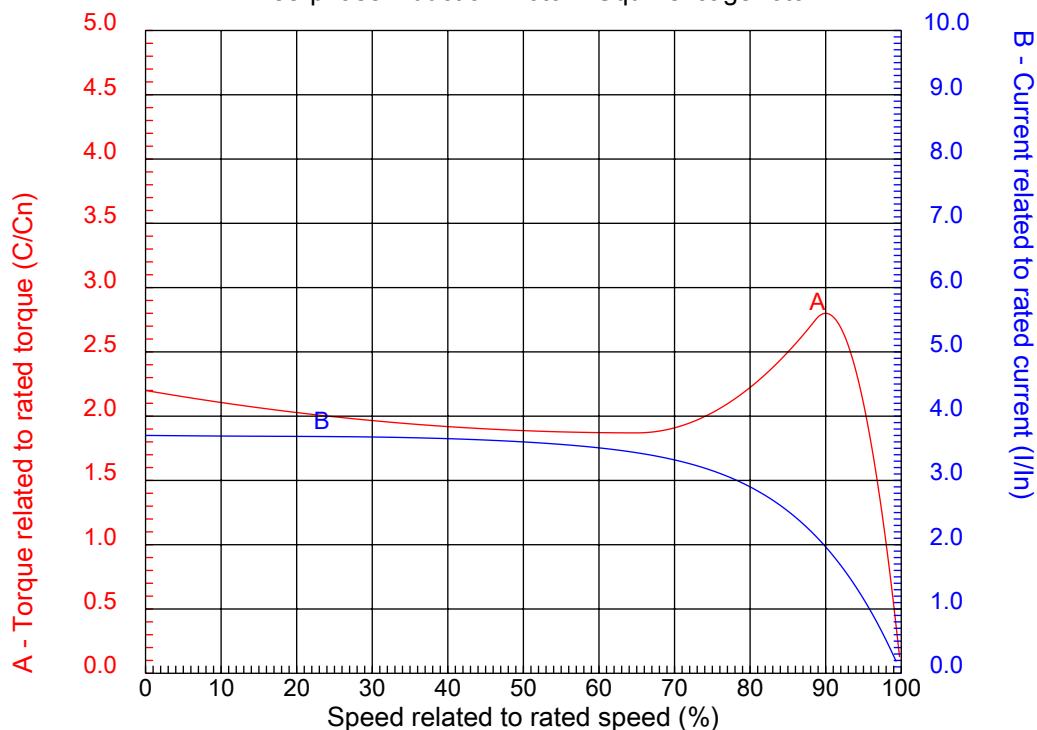


No.:

Date: 31-DEC-2012

### CHARACTERISTIC CURVES RELATED TO SPEED

Three-phase induction motor - Squirrel cage rotor



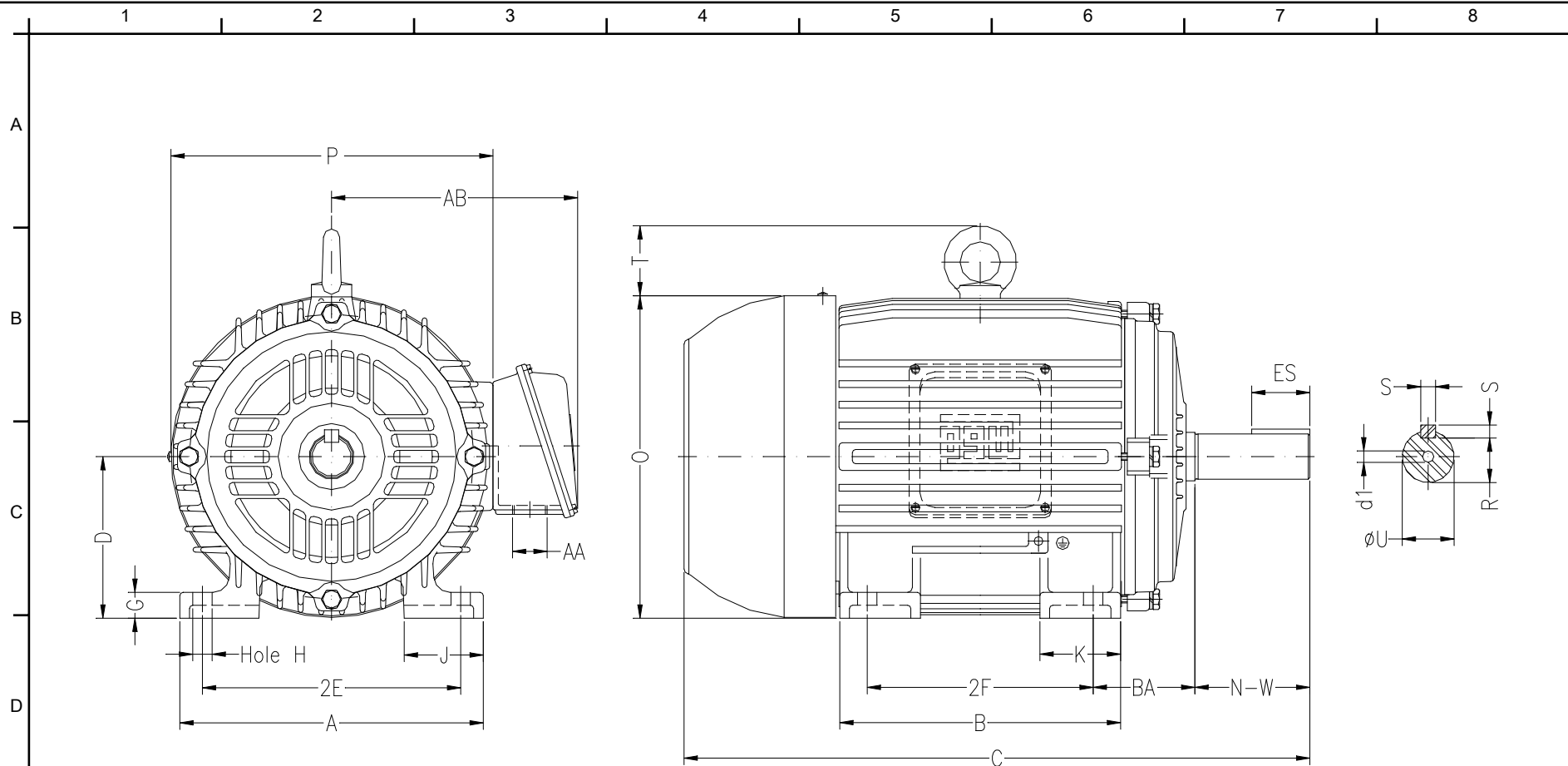
Customer :  
Product line : Cooling Tower Motors : High Efficiency - Two Speed

Frame	: 254T	Locked rotor current (I <sub>l</sub> /I <sub>n</sub> )	: 3.7
Output	: 1.75 HP	Duty cycle	: S1
Frequency	: 60 Hz	Service factor	: 1.15
Full load speed	: 885	Design	: A
Voltage	: 200 V	Locked rotor torque	: 220 %
Rated current	: 10.6 A	Breakdown torque	: 280 %
Insulation class	: F		

Notes:

Performed by

Checked



Notes:

Performed by:

Checked:

Customer:

Cooling Tower Motors : High Efficiency - Two Speed

Three-phase induction motor  
Frame 254T - IP55

31-DEC-2012



2E	2F	H	BA	A
10.000	8.252	0.531	4.250	12.126
B	C	D	G	J
10.000	23.213	6.250	0.817	2.520
K	O	P	ES	S
2.559	12.431	12.283	2.756	0.375
N-W	U	R	AB	AA
4.000	1.625	1.406	10.079	NPT 1 1/2"
d1	Flange	AJ	AK	BD
A 4	FD-317	12.500	11.000	14.000
BF	BB			
0.828	0.203			