



No.:

Date: 31-DEC-2012

Customer :

TECHNICAL PROPOSAL

Three-phase induction motor - Squirrel cage rotor

Product line : Cooling Tower Motors : NEMA Premium

Catalog Number : 01012ET3PCT256T

List Price : \$2,751

Notes:

Performed by:

Checked:



No.:

Date: 31-DEC-2012

DATA SHEET

Three-phase induction motor - Squirrel cage rotor

Customer :
Product line : Cooling Tower Motors : NEMA Premium

Frame : 256T
Output : 10 HP
Frequency : 60 Hz
Poles : 6
Full load speed : 1170
Slip : 2.50 %
Voltage : 200 V
Rated current : 30.5 A
Locked rotor current : 210 A
Locked rotor current (I_L/I_n) : 6.9
No-load current : 14.4 A
Full load torque : 44.3 lb.ft
Locked rotor torque : 230 %
Breakdown torque : 290 %
Design : B
Insulation class : F
Temperature rise : 80 K
Locked rotor time : 22 s (hot)
Service factor : 1.25
Duty cycle : S1
Ambient temperature : -20°C - +40°C
Altitude : 1000
Degree of Protection : IP55
Approximate weight : 290 lb
Moment of inertia : 4.4311 sq.ft.lb
Noise level : 59 dB(A)

	D.E.	N.D.E.	Load	Power factor	Efficiency (%)
Bearings	6309 2RS	6209 2RS	100%	0.78	91.0
Regreasing interval	---	---	75%	0.67	91.0
Grease amount	---	---	50%	0.60	90.2

Notes:

Performed by

Checked

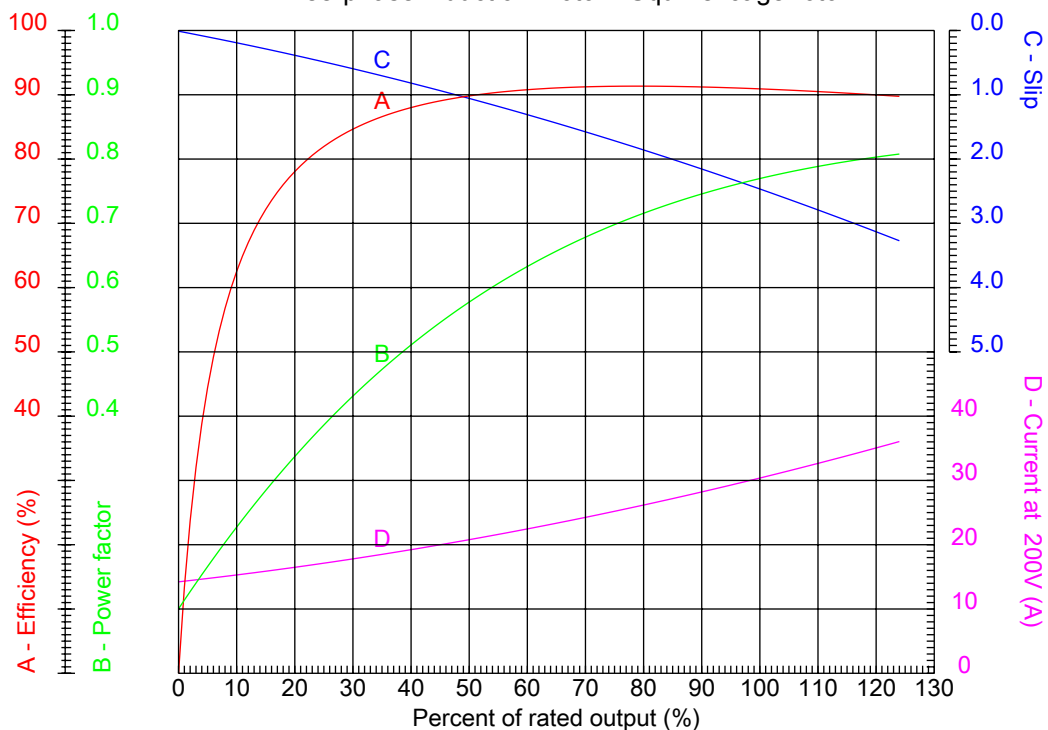


No.:

Date: 31-DEC-2012

PERFORMANCE CURVES RELATED TO RATED OUTPUT

Three-phase induction motor - Squirrel cage rotor



Customer :
 Product line : Cooling Tower Motors : NEMA Premium

Frame : 256T	Locked rotor current (I _l /I _n) : 6.9
Output : 10 HP	Duty cycle : S1
Frequency : 60 Hz	Service factor : 1.25
Full load speed : 1170	Design : B
Voltage : 200 V	Locked rotor torque : 230 %
Rated current : 30.5 A	Breakdown torque : 290 %
Insulation class : F	

Notes:

Performed by

Checked

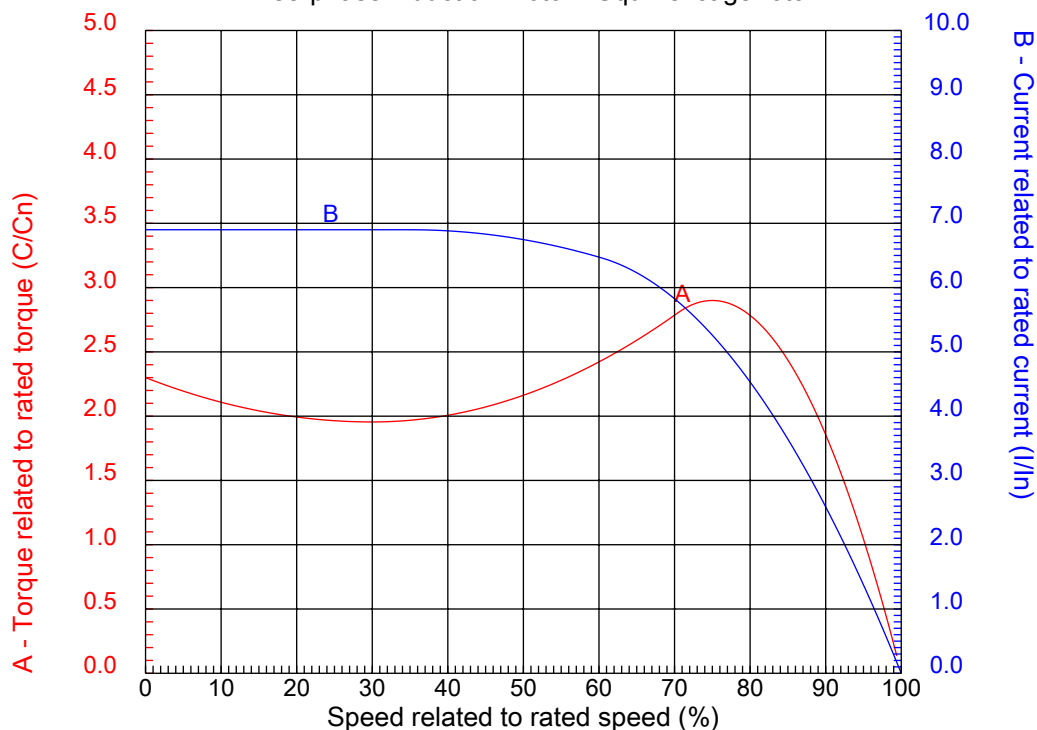


No.:

Date: 31-DEC-2012

CHARACTERISTIC CURVES RELATED TO SPEED

Three-phase induction motor - Squirrel cage rotor



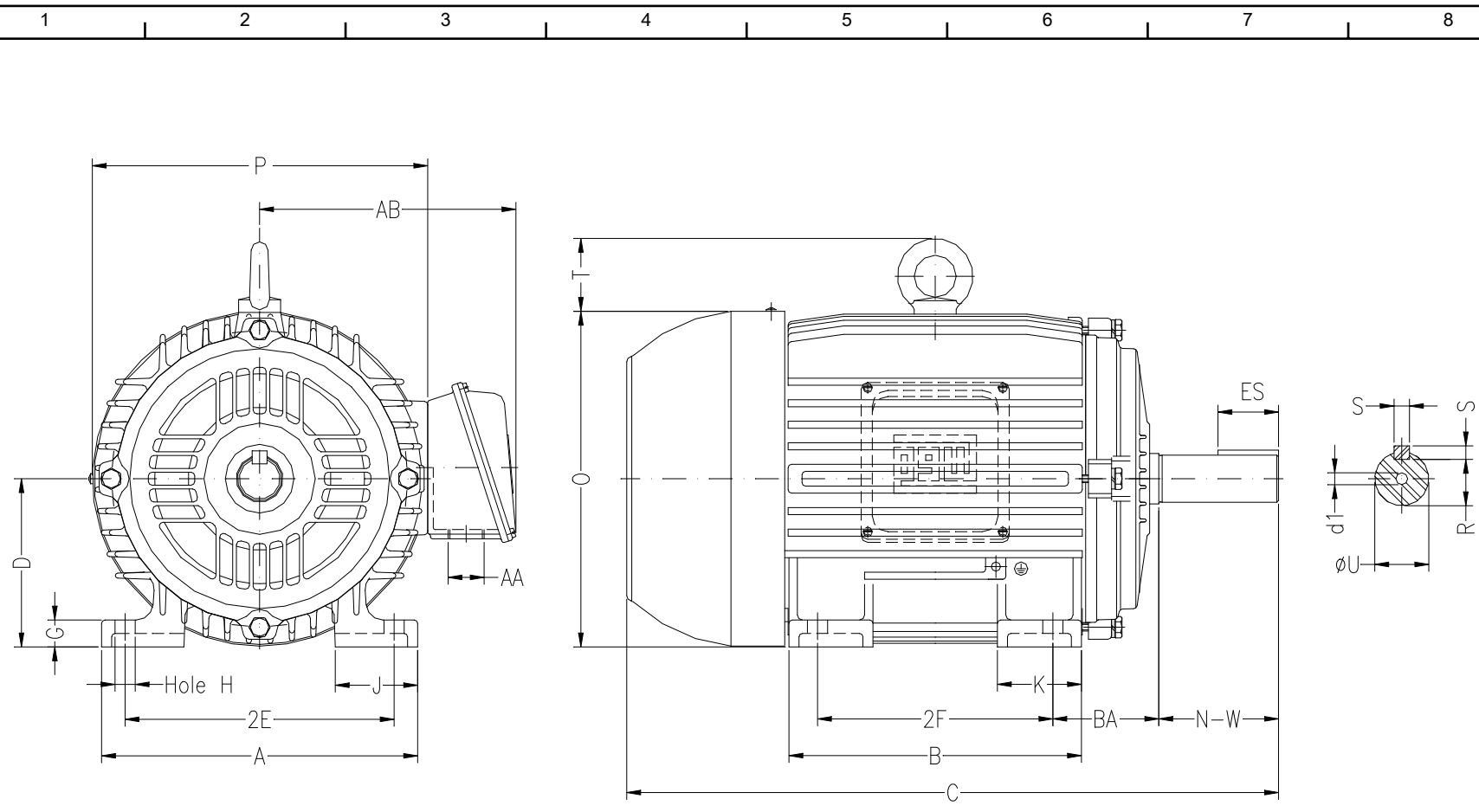
Customer :
Product line : Cooling Tower Motors : NEMA Premium

Frame	: 256T	Locked rotor current (I _l /I _n)	: 6.9
Output	: 10 HP	Duty cycle	: S1
Frequency	: 60 Hz	Service factor	: 1.25
Full load speed	: 1170	Design	: B
Voltage	: 200 V	Locked rotor torque	: 230 %
Rated current	: 30.5 A	Breakdown torque	: 290 %
Insulation class	: F		

Notes:

Performed by

Checked



Notes:

Performed by:

Checked:

Customer:

Cooling Tower Motors : NEMA Premium

Three-phase induction motor
Frame 256T - IP55

31-DEC-2012



	2E 10.000	2F 10.000	H 0.531	BA 4.250	A 12.126
	B 11.732	C 24.945	D 6.250	G 0.817	J 2.520
	K 2.559	O 12.431	P 12.283	ES 2.756	S 0.375
F	N-W 4.000	U 1.625	R 1.406	AB 10.079	AA NPT 1 1/2"
	d1 A 4	Flange FD-317	AJ 12.500	AK 11.000	BD 14.000
	BF 0.828	BB 0.203			