



No.:

Date: 31-DEC-2012

Customer :

TECHNICAL PROPOSAL

Three-phase induction motor - Squirrel cage rotor

Product line : Cooling Tower Motors : High Efficiency - Two Speed

Catalog Number : 01589EP3QCT284V2

List Price : \$3,878

Notes:

Performed by:

Checked:



No.:

Date: 31-DEC-2012

DATA SHEET

Three-phase induction motor - Squirrel cage rotor

Customer :
Product line : Cooling Tower Motors : High Efficiency - Two Speed

Frame : 284T
Output : 3.75 HP
Frequency : 60 Hz
Poles : 8
Full load speed : 880
Slip : 2.22 %
Voltage : 230 V
Rated current : 18.1 A
Locked rotor current : 74.3 A
Locked rotor current (I_L/I_n) : 4.1
No-load current : 14.0 A
Full load torque : 22.1 lb.ft
Locked rotor torque : 240 %
Breakdown torque : 250 %
Design : A
Insulation class : F
Temperature rise : 80 K
Locked rotor time : 18 s (hot)
Service factor : 1.15
Duty cycle : S1
Ambient temperature : -20°C - +40°C
Altitude : 1000
Degree of Protection : IP55
Approximate weight : 408 lb
Moment of inertia : 4.6819 sq.ft.lb
Noise level : 54 dB(A)

	D.E.	N.D.E.	Load	Power factor	Efficiency (%)
Bearings	6311 2RS	6211 2RS	100%	0.51	76.0
Regreasing interval	---	---	75%	0.42	74.0
Grease amount	---	---	50%	0.32	68.0

Notes:

Performed by

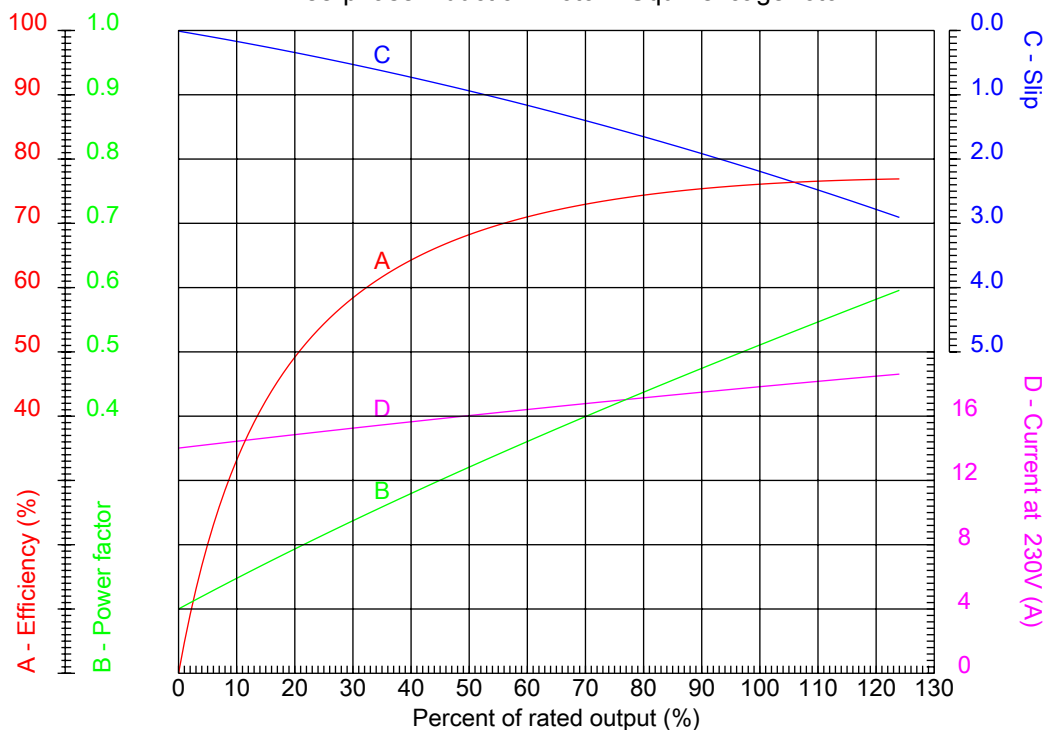
Checked



No.:

Date: 31-DEC-2012

PERFORMANCE CURVES RELATED TO RATED OUTPUT
Three-phase induction motor - Squirrel cage rotor



Customer :
Product line : Cooling Tower Motors : High Efficiency - Two Speed

Frame : 284T	Locked rotor current (I _l /I _n) : 4.1
Output : 3.75 HP	Duty cycle : S1
Frequency : 60 Hz	Service factor : 1.15
Full load speed : 880	Design : A
Voltage : 230 V	Locked rotor torque : 240 %
Rated current : 18.1 A	Breakdown torque : 250 %
Insulation class : F	

Notes:

Performed by

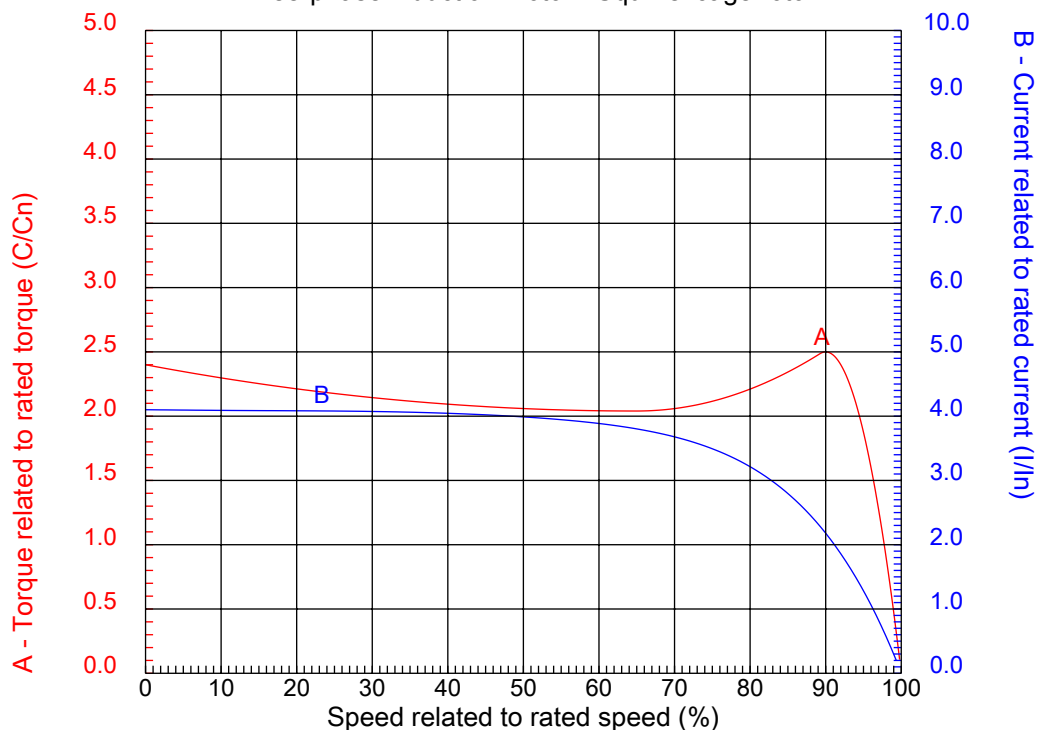
Checked



No.:

Date: 31-DEC-2012

CHARACTERISTIC CURVES RELATED TO SPEED Three-phase induction motor - Squirrel cage rotor



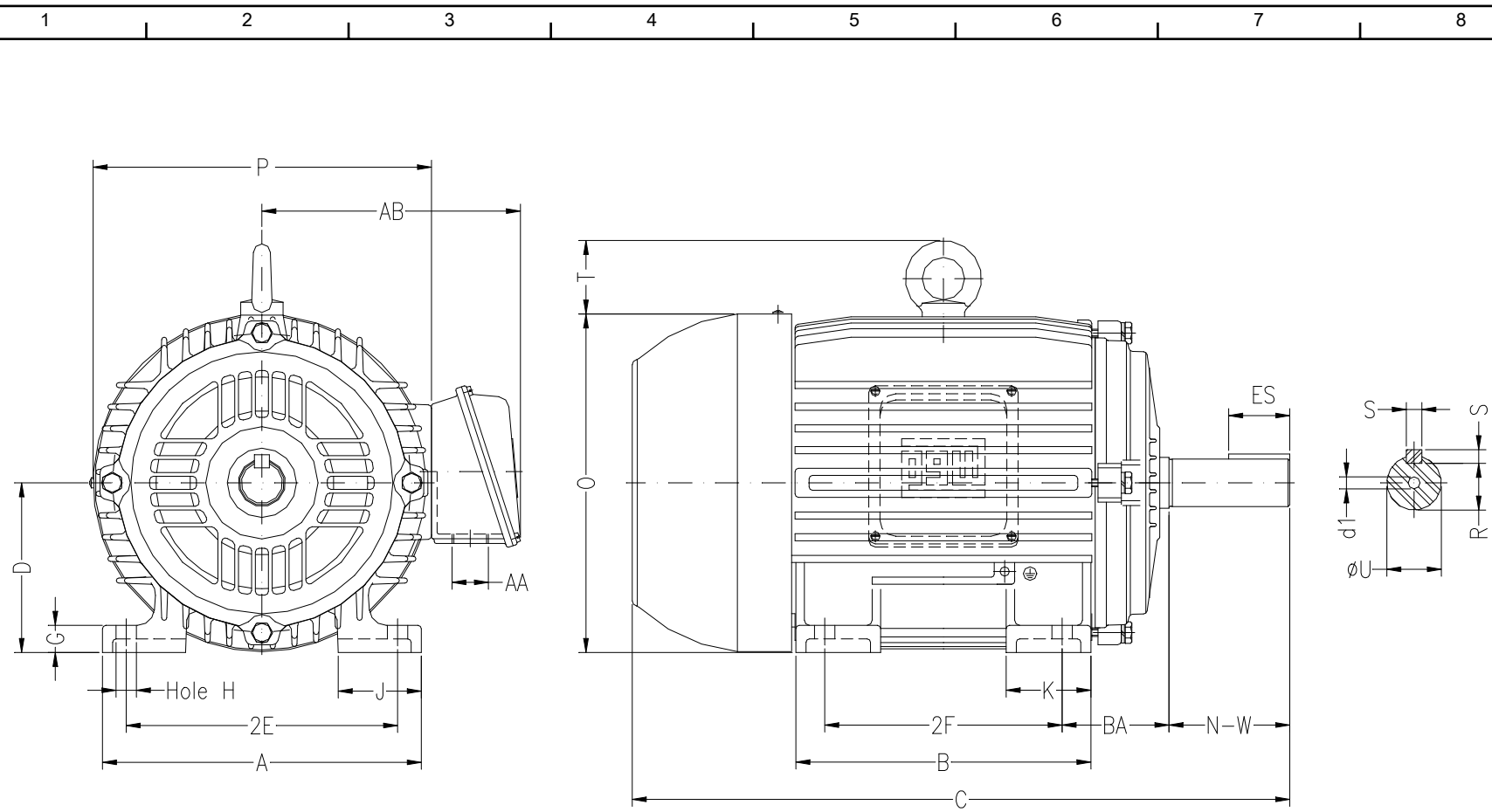
Customer :
Product line : Cooling Tower Motors : High Efficiency - Two Speed

Frame	: 284T	Locked rotor current (I _l /I _n)	: 4.1
Output	: 3.75 HP	Duty cycle	: S1
Frequency	: 60 Hz	Service factor	: 1.15
Full load speed	: 880	Design	: A
Voltage	: 230 V	Locked rotor torque	: 240 %
Rated current	: 18.1 A	Breakdown torque	: 250 %
Insulation class	: F		

Notes:

Performed by

Checked



Notes:

Performed by:

Checked:

Customer:

Cooling Tower Motors : High Efficiency - Two Speed

2E	2F	H	BA	A
11.000	9.500	0.531	4.750	13.780
B	C	D	G	J
11.575	26.433	7.000	1.016	3.150
K	O	P	ES	S
2.953	14.067	14.094	3.149	0.500
N-W	U	R	AB	AA
4.622	1.875	1.594	10.866	NPT 1 1/2"
d1	Flange	AJ	AK	BD
A 4	FD-317	12.500	11.000	14.000
BF	BB			
0.828	0.203			

Three-phase induction motor
Frame 284T - IP55

31-DEC-2012

