



No.:

Date: 31-DEC-2012

Customer :

TECHNICAL PROPOSAL

Three-phase induction motor - Squirrel cage rotor

Product line : W22 Cooling Tower Motors: NEMA Premium

Catalog Number : 02018ET3ECT256TF1-W2

List Price : \$2,549

Notes:

Performed by:

Checked:



No.:

Date: 31-DEC-2012

## DATA SHEET

### Three-phase induction motor - Squirrel cage rotor

Customer :  
Product line : W22 Cooling Tower Motors: NEMA Premium

Frame : 256T  
Output : 20 HP  
Frequency : 60 Hz  
Poles : 4  
Full load speed : 1765  
Slip : 1.94 %  
Voltage : 208-230/460 V  
Rated current : 53.3-48.2/24.1 A  
Locked rotor current : 313/157 A  
Locked rotor current (I<sub>L</sub>/I<sub>n</sub>) : 6.5  
No-load current : 20.0/10.0 A  
Full load torque : 58.7 lb.ft  
Locked rotor torque : 230 %  
Breakdown torque : 270 %  
Design : B  
Insulation class : F  
Temperature rise : 80 K  
Locked rotor time : 15 s (hot)  
Service factor : 1.25  
Duty cycle : S1  
Ambient temperature : -20°C - +40°C  
Altitude : 1000  
Degree of Protection : IP55  
Approximate weight : 291 lb  
Moment of inertia : 3.0963 sq.ft.lb  
Noise level : 64 dB(A)

	D.E.	N.D.E.	Load	Power factor	Efficiency (%)
Bearings	6309 C3	6209 C3	100%	0.84	93.0
Regreasing interval	20000 h	20000 h	75%	0.79	92.4
Grease amount	13 g	9 g	50%	0.68	91.7

Notes:

Performed by

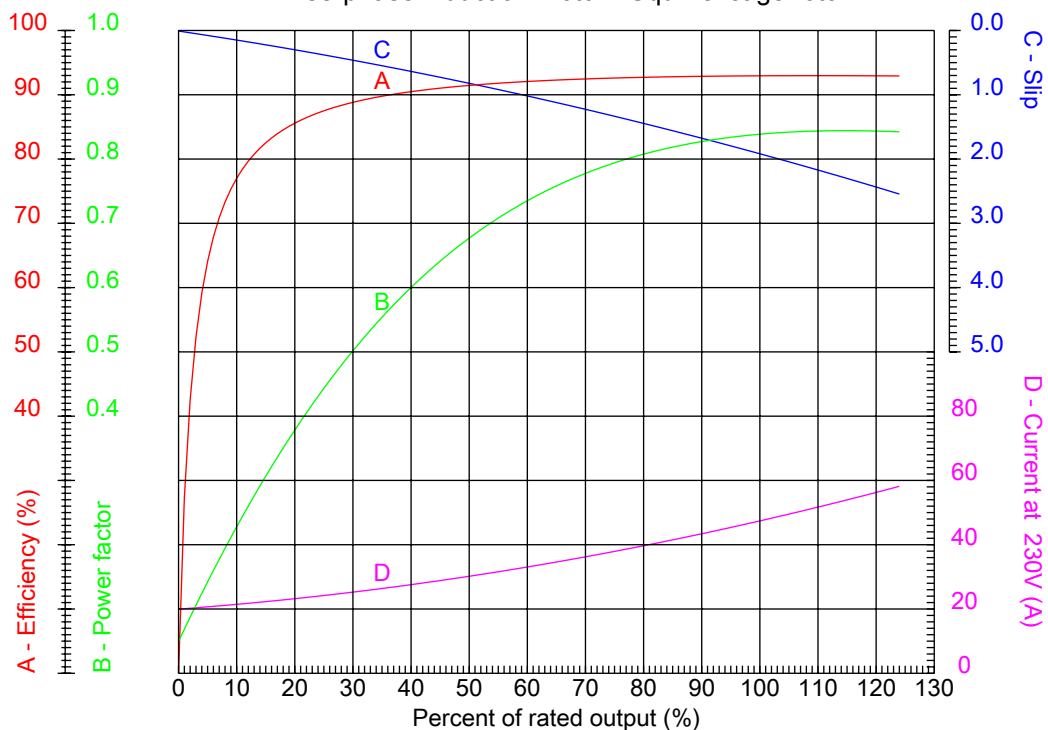
Checked



No.:

Date: 31-DEC-2012

### PERFORMANCE CURVES RELATED TO RATED OUTPUT Three-phase induction motor - Squirrel cage rotor



Customer :  
Product line : W22 Cooling Tower Motors: NEMA Premium

Frame	: 256T	Locked rotor current (I <sub>l</sub> /I <sub>n</sub> )	: 6.5
Output	: 20 HP	Duty cycle	: S1
Frequency	: 60 Hz	Service factor	: 1.25
Full load speed	: 1765	Design	: B
Voltage	: 208-230/460 V	Locked rotor torque	: 230 %
Rated current	: 53.3-48.2/24.1 A	Breakdown torque	: 270 %
Insulation class	: F		

Notes:

Performed by

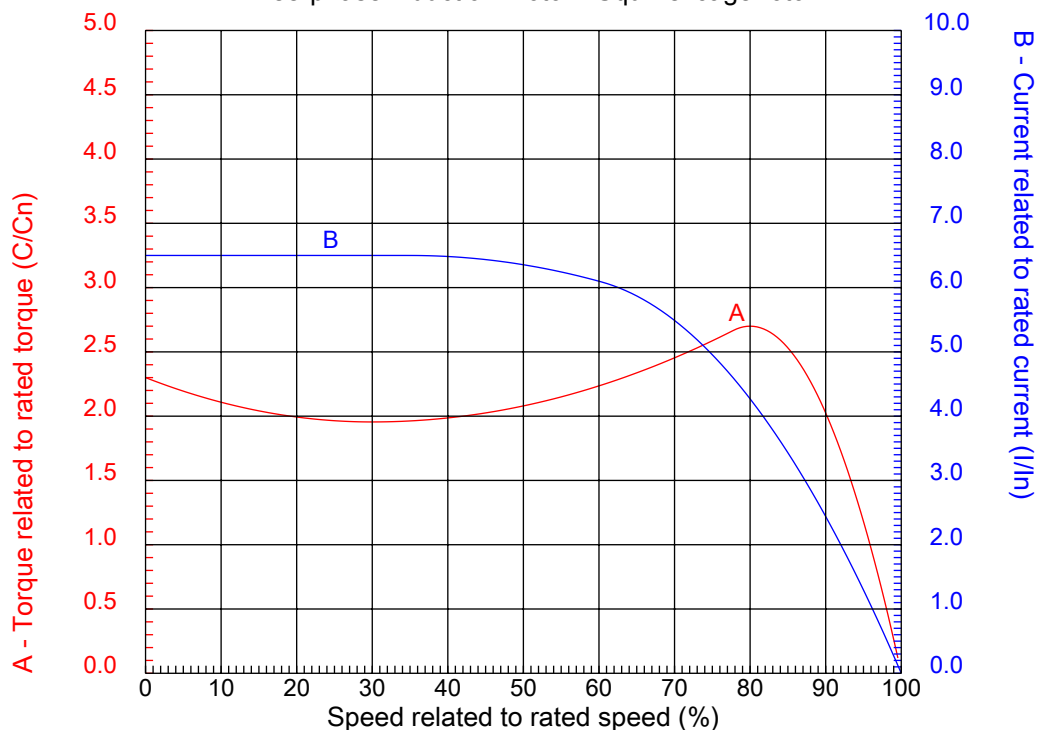
Checked



No.:

Date: 31-DEC-2012

### CHARACTERISTIC CURVES RELATED TO SPEED Three-phase induction motor - Squirrel cage rotor



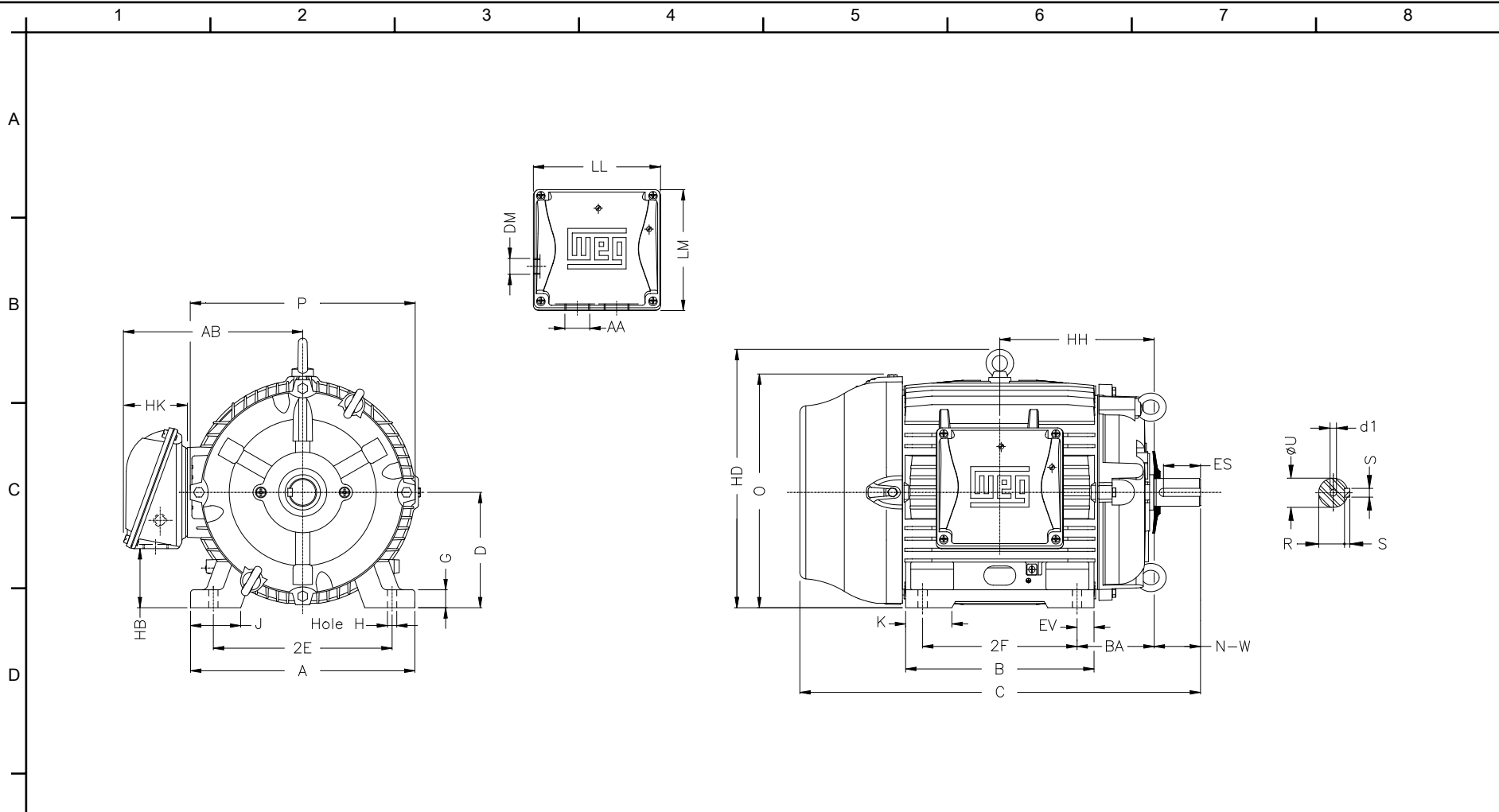
Customer :  
Product line : W22 Cooling Tower Motors: NEMA Premium

Frame	: 256T	Locked rotor current (I <sub>l</sub> /I <sub>n</sub> )	: 6.5
Output	: 20 HP	Duty cycle	: S1
Frequency	: 60 Hz	Service factor	: 1.25
Full load speed	: 1765	Design	: B
Voltage	: 208-230/460 V	Locked rotor torque	: 230 %
Rated current	: 53.3-48.2/24.1 A	Breakdown torque	: 270 %
Insulation class	: F		

Notes:

Performed by

Checked



Notes:

2E 10.000	J 2.539	A 12.126	P 12.480	AB 10.483
2F 10.000	K 2.559	B 11.732	BA 4.250	U 1.625
N-W 4.000	ES 2.756	S 0.375	R 1.406	depth 0.375
D 6.250	G 0.827	HB 3.061	O 12.598	T 2.087
HD 14.685	HF 6.565	HH 9.250	HK 3.987	H 0.531
C 24.945	LL 7.813	LM 7.482	AA NPT 1 1/2"	d1 A 4
d2 A 4				

Performed by:

Checked:

Customer:

W22 Cooling Tower Motors: NEMA Premium

Three-phase induction motor  
Frame 256T - IP55

31-DEC-2012

