



No.:

Date: 31-DEC-2012

Customer :

TECHNICAL PROPOSAL

Three-phase induction motor - Squirrel cage rotor

Product line : Cooling Tower Motors : High Efficiency - Two Speed

Catalog Number : 02089EP3PCT286V2

List Price : \$4,827

Notes:

Performed by:

Checked:



No.:

Date: 31-DEC-2012

## DATA SHEET

### Three-phase induction motor - Squirrel cage rotor

Customer :  
Product line : Cooling Tower Motors : High Efficiency - Two Speed

Frame : 286T  
Output : 5 HP  
Frequency : 60 Hz  
Poles : 8  
Full load speed : 880  
Slip : 2.22 %  
Voltage : 200 V  
Rated current : 25.2 A  
Locked rotor current : 103 A  
Locked rotor current (I<sub>L</sub>/I<sub>n</sub>) : 4.1  
No-load current : 18.4 A  
Full load torque : 29.4 lb.ft  
Locked rotor torque : 240 %  
Breakdown torque : 240 %  
Design : A  
Insulation class : F  
Temperature rise : 80 K  
Locked rotor time : 18 s (hot)  
Service factor : 1.15  
Duty cycle : S1  
Ambient temperature : -20°C - +40°C  
Altitude : 1000  
Degree of Protection : IP55  
Approximate weight : 485 lb  
Moment of inertia : 5.8542 sq.ft.lb  
Noise level : 54 dB(A)

	D.E.	N.D.E.	Load	Power factor	Efficiency (%)
Bearings	6311 2RS	6211 2RS	100%	0.54	78.5
Regreasing interval	---	---	75%	0.46	76.0
Grease amount	---	---	50%	0.35	70.0

Notes:

Performed by

Checked

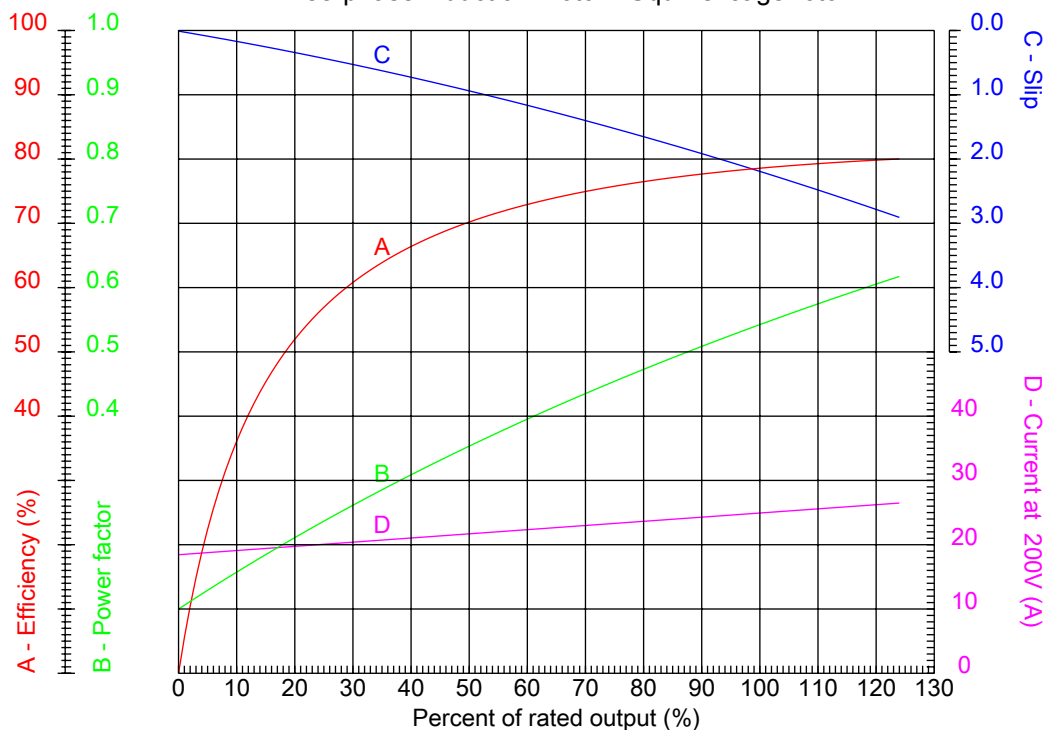


No.:

Date: 31-DEC-2012

PERFORMANCE CURVES RELATED TO RATED OUTPUT

Three-phase induction motor - Squirrel cage rotor



Customer :  
 Product line : Cooling Tower Motors : High Efficiency - Two Speed

Frame : 286T	Locked rotor current (I <sub>l</sub> /I <sub>n</sub> ) : 4.1
Output : 5 HP	Duty cycle : S1
Frequency : 60 Hz	Service factor : 1.15
Full load speed : 880	Design : A
Voltage : 200 V	Locked rotor torque : 240 %
Rated current : 25.2 A	Breakdown torque : 240 %
Insulation class : F	

Notes:

Performed by

Checked

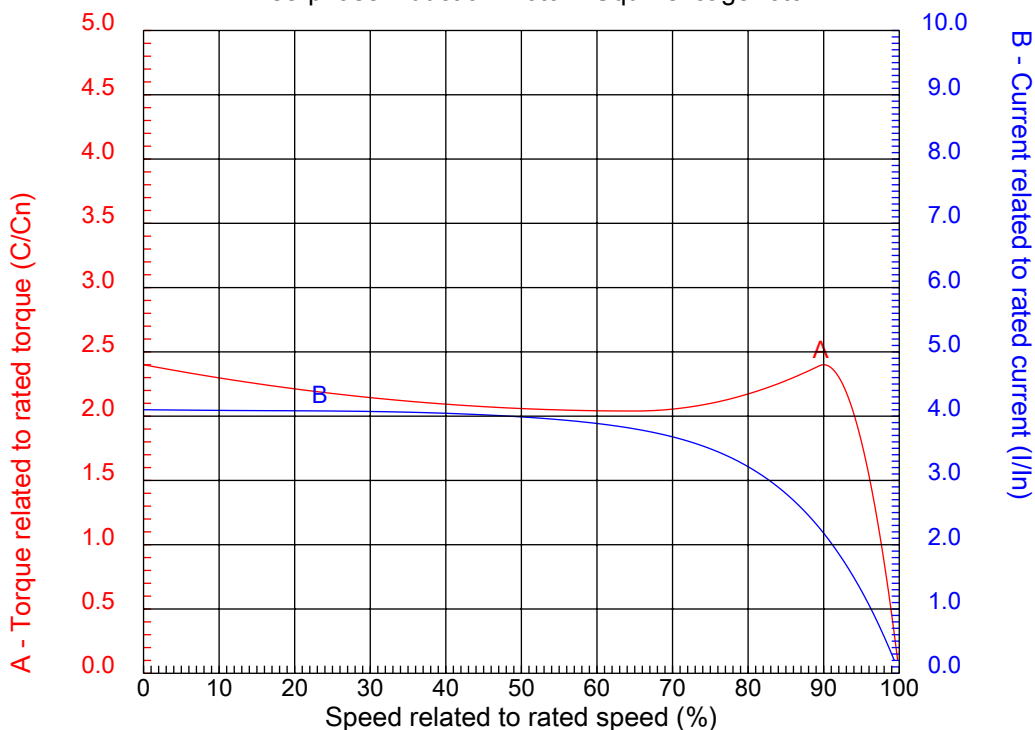


No.:

Date: 31-DEC-2012

### CHARACTERISTIC CURVES RELATED TO SPEED

Three-phase induction motor - Squirrel cage rotor



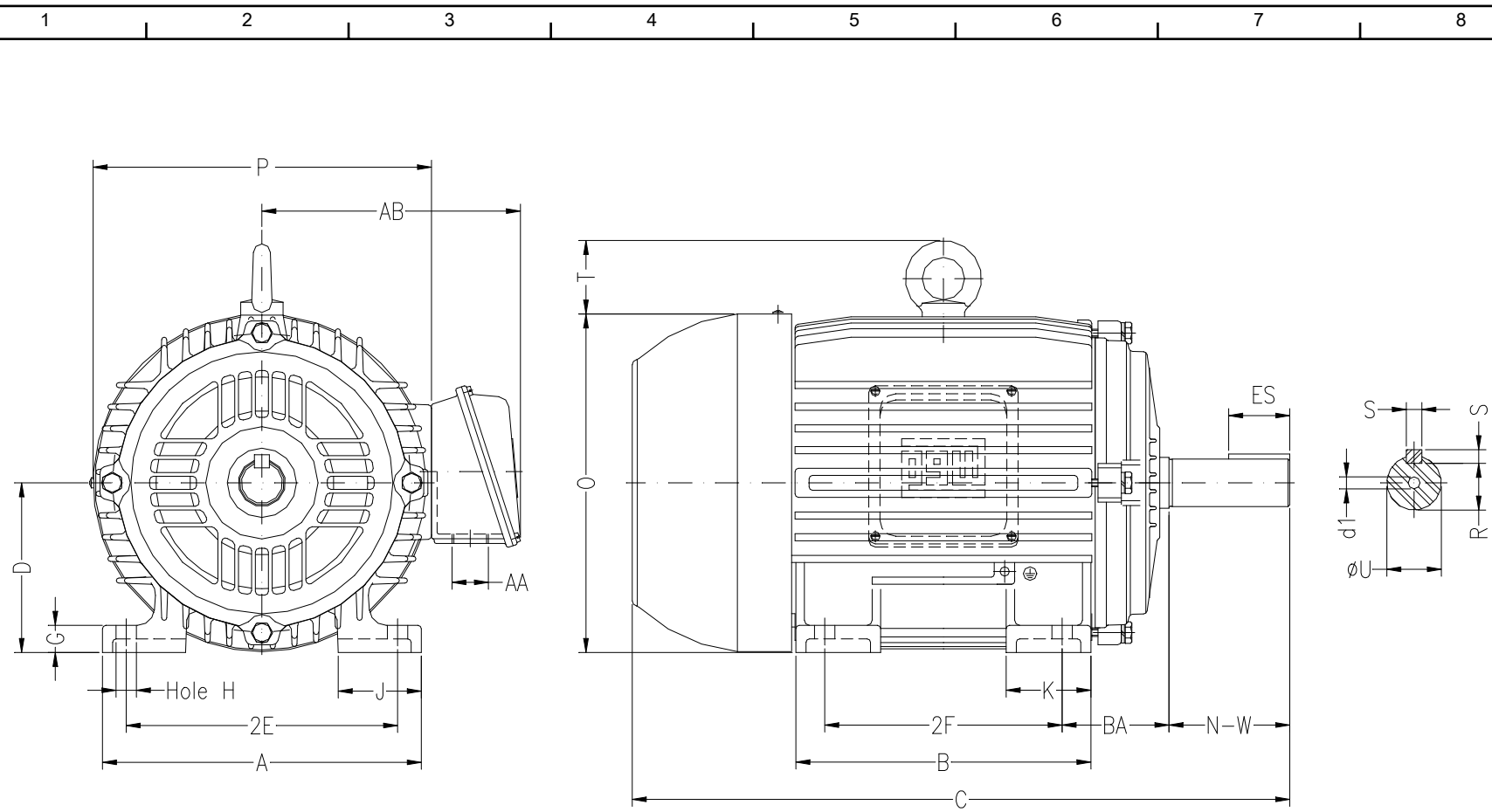
Customer :  
Product line : Cooling Tower Motors : High Efficiency - Two Speed

Frame	: 286T	Locked rotor current (I <sub>l</sub> /I <sub>n</sub> )	: 4.1
Output	: 5 HP	Duty cycle	: S1
Frequency	: 60 Hz	Service factor	: 1.15
Full load speed	: 880	Design	: A
Voltage	: 200 V	Locked rotor torque	: 240 %
Rated current	: 25.2 A	Breakdown torque	: 240 %
Insulation class	: F		

Notes:

Performed by

Checked



Notes:

Performed by:

Checked:

Customer:

Cooling Tower Motors : High Efficiency - Two Speed

2E 11.000	2F 11.000	H 0.531	BA 4.750	A 13.780
B 13.071	C 27.929	D 7.000	G 1.016	J 3.150
K 2.953	O 14.067	P 14.094	ES 3.149	S 0.500
N-W 4.622	U 1.875	R 1.594	AB 10.866	AA NPT 1 1/2"
d1 A 4	Flange FD-317	AJ 12.500	AK 11.000	BD 14.000
BF 0.828	BB 0.203			

Three-phase induction motor  
Frame 286T - IP55

31-DEC-2012

