



No.:

Date: 31-DEC-2012

Customer :

TECHNICAL PROPOSAL

Three-phase induction motor - Squirrel cage rotor

Product line : W22 Cooling Tower Motors: NEMA Premium

Catalog Number : 02512ET3ECT324T-W22

List Price : \$5,543

Notes:

Performed by:

Checked:



No.:

Date: 31-DEC-2012

DATA SHEET

Three-phase induction motor - Squirrel cage rotor

Customer :
Product line : W22 Cooling Tower Motors: NEMA Premium

Frame : 324T
Output : 25 HP
Frequency : 60 Hz
Poles : 6
Full load speed : 1180
Slip : 1.67 %
Voltage : 208-230/460 V
Rated current : 67.2-60.8/30.4 A
Locked rotor current : 377/188 A
Locked rotor current (I_L/I_n) : 6.2
No-load current : 28.0/14.0 A
Full load torque : 110 lb.ft
Locked rotor torque : 210 %
Breakdown torque : 260 %
Design : B
Insulation class : F
Temperature rise : 80 K
Locked rotor time : 26 s (hot)
Service factor : 1.25
Duty cycle : S1
Ambient temperature : -20°C - +40°C
Altitude : 1000
Degree of Protection : IP55
Approximate weight : 560 lb
Moment of inertia : 11.493 sq.ft.lb
Noise level : 62 dB(A)

| | D.E. | N.D.E. | Load | Power factor | Efficiency (%) |
|---------------------|---------|---------|------|--------------|----------------|
| Bearings | 6312 C3 | 6212 C3 | 100% | 0.82 | 93.0 |
| Regreasing interval | 20000 h | 20000 h | 75% | 0.77 | 93.0 |
| Grease amount | 21 g | 13 g | 50% | 0.65 | 91.7 |

Notes:

Performed by

Checked

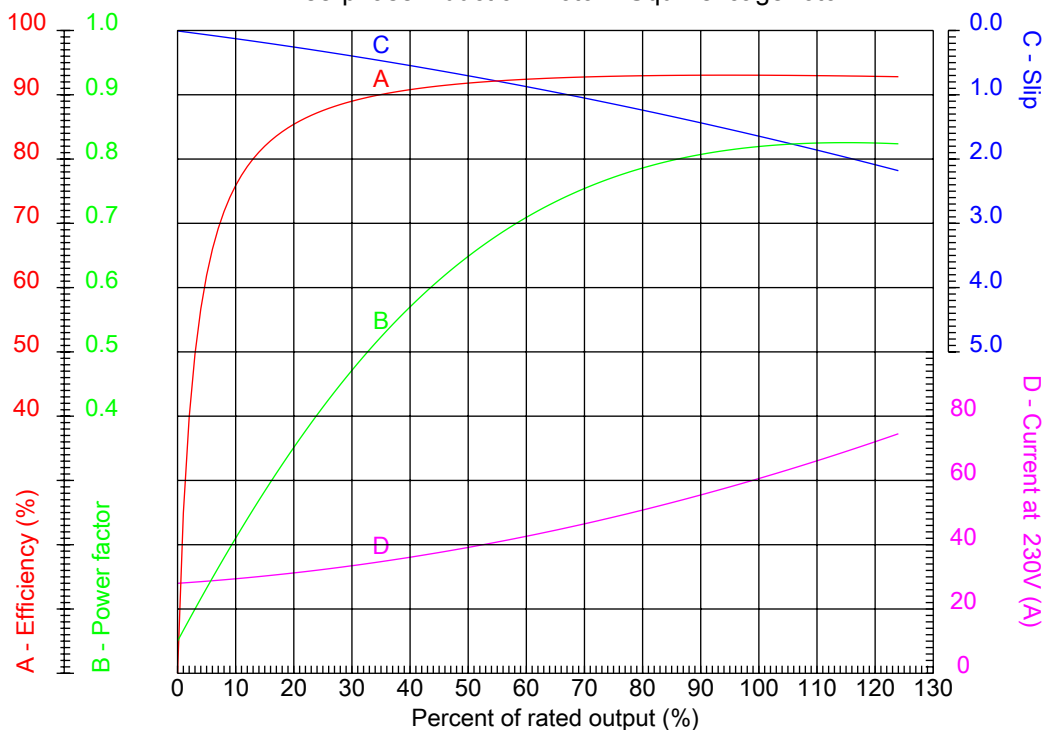


No.:

Date: 31-DEC-2012

PERFORMANCE CURVES RELATED TO RATED OUTPUT

Three-phase induction motor - Squirrel cage rotor



Customer :
Product line : W22 Cooling Tower Motors: NEMA Premium

| | | | |
|------------------|--------------------|--|---------|
| Frame | : 324T | Locked rotor current (I _l /I _n) | : 6.2 |
| Output | : 25 HP | Duty cycle | : S1 |
| Frequency | : 60 Hz | Service factor | : 1.25 |
| Full load speed | : 1180 | Design | : B |
| Voltage | : 208-230/460 V | Locked rotor torque | : 210 % |
| Rated current | : 67.2-60.8/30.4 A | Breakdown torque | : 260 % |
| Insulation class | : F | | |

Notes:

Performed by

Checked

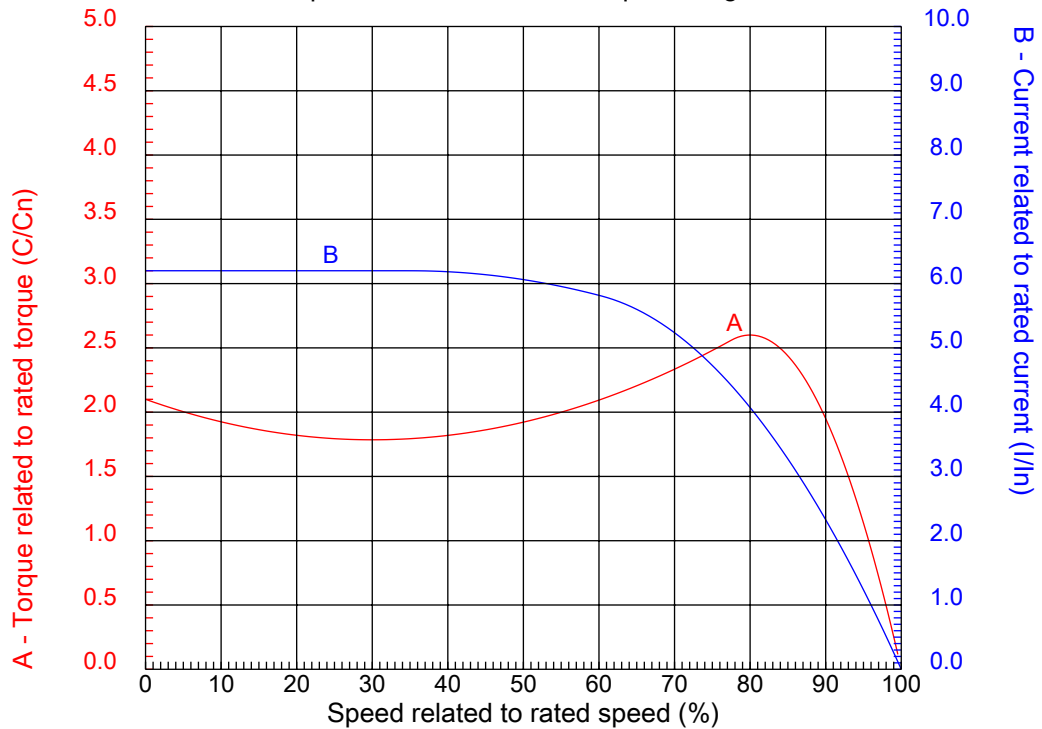


No.:

Date: 31-DEC-2012

CHARACTERISTIC CURVES RELATED TO SPEED

Three-phase induction motor - Squirrel cage rotor



Customer :
Product line : W22 Cooling Tower Motors: NEMA Premium

| | | | |
|------------------|--------------------|--|---------|
| Frame | : 324T | Locked rotor current (I _l /I _n) | : 6.2 |
| Output | : 25 HP | Duty cycle | : S1 |
| Frequency | : 60 Hz | Service factor | : 1.25 |
| Full load speed | : 1180 | Design | : B |
| Voltage | : 208-230/460 V | Locked rotor torque | : 210 % |
| Rated current | : 67.2-60.8/30.4 A | Breakdown torque | : 260 % |
| Insulation class | : F | | |

Notes:

Performed by

Checked

1 2 3 4 5 6 7 8

A

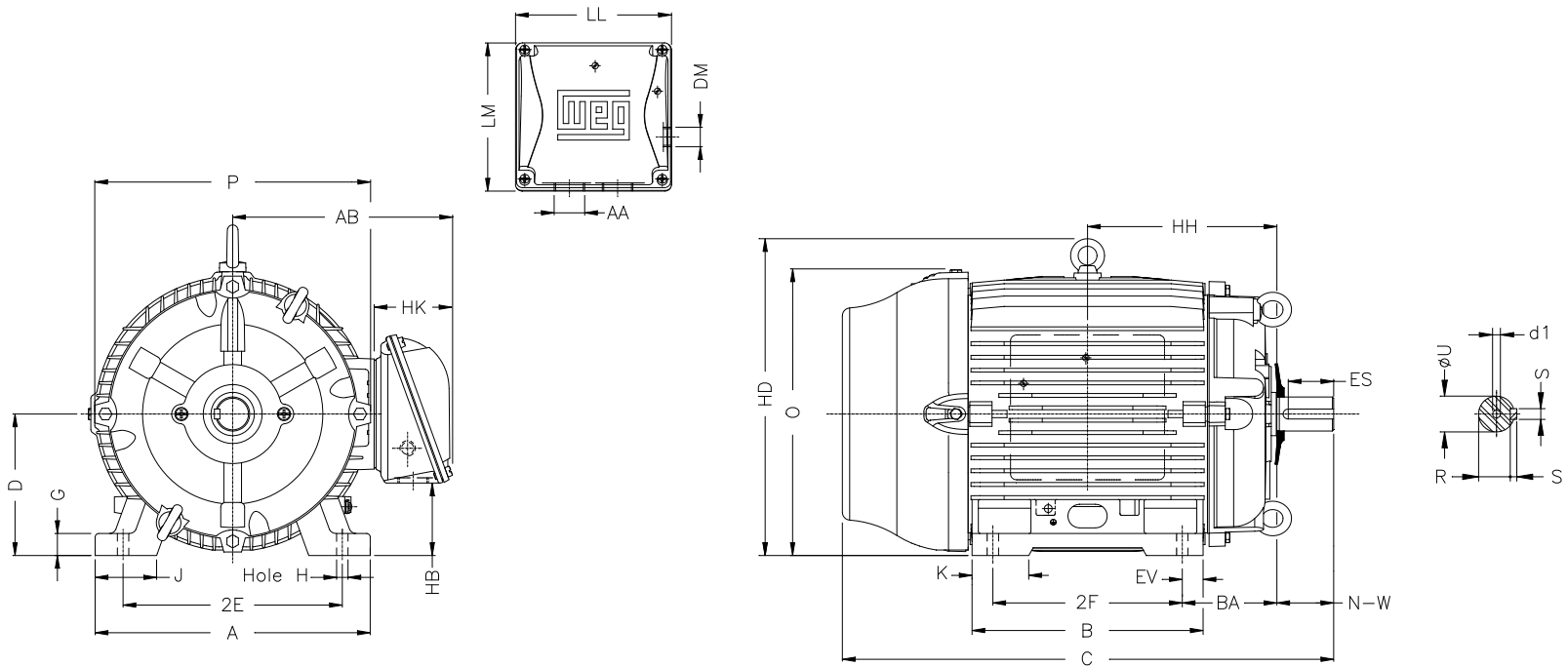
B

C

D

E

F



Notes:

| | | | | |
|--------------|-------------|--------------|--------------|----------------|
| 2E 12.500 | J 3.189 | A 15.157 | P 14.961 | AB 12.575 |
| 2F 10.500 | K 3.189 | B 13.071 | BA 5.250 | U 2.125 |
| N-W 5.250 | ES 3.937 | S 0.500 | R 1.844 | depth 0.500 |
| D 8.000 | G 1.300 | HB 4.811 | O 15.953 | T 2.441 |
| HD 18.394 | HF 8.708 | HH 10.500 | HK 4.701 | H 0.657 |
| C 29.620 | LL 9.055 | LM 8.668 | AA NPT 2" | d1 A 4 |
| d2 A 4 | | | | |

Performed by:

Checked:

Customer:

W22 Cooling Tower Motors: NEMA Premium

Three-phase induction motor
Frame 324T - IP55

31-DEC-2012

