



No.:

Date: 31-DEC-2012

Customer :

TECHNICAL PROPOSAL

Three-phase induction motor - Squirrel cage rotor

Product line : Cooling Tower Motors : NEMA Premium

Catalog Number : 03012ET3PCT326T

List Price : \$6,064

Notes:

Performed by:

Checked:



No.:

Date: 31-DEC-2012

DATA SHEET

Three-phase induction motor - Squirrel cage rotor

Customer :
Product line : Cooling Tower Motors : NEMA Premium

Frame : 326T
Output : 30 HP
Frequency : 60 Hz
Poles : 6
Full load speed : 1175
Slip : 2.08 %
Voltage : 200 V
Rated current : 82.2 A
Locked rotor current : 502 A
Locked rotor current (I_L/I_n) : 6.1
No-load current : 40.3 A
Full load torque : 132 lb.ft
Locked rotor torque : 230 %
Breakdown torque : 250 %
Design : B
Insulation class : F
Temperature rise : 80 K
Locked rotor time : 28 s (hot)
Service factor : 1.25
Duty cycle : S1
Ambient temperature : -20°C - +40°C
Altitude : 1000
Degree of Protection : IP55
Approximate weight : 628 lb
Moment of inertia : 13.196 sq.ft.lb
Noise level : 62 dB(A)

	D.E.	N.D.E.	Load	Power factor	Efficiency (%)
Bearings	6312 2RS	6212 2RS	100%	0.83	93.0
Regreasing interval	---	---	75%	0.78	93.0
Grease amount	---	---	50%	0.68	91.5

Notes:

Performed by

Checked

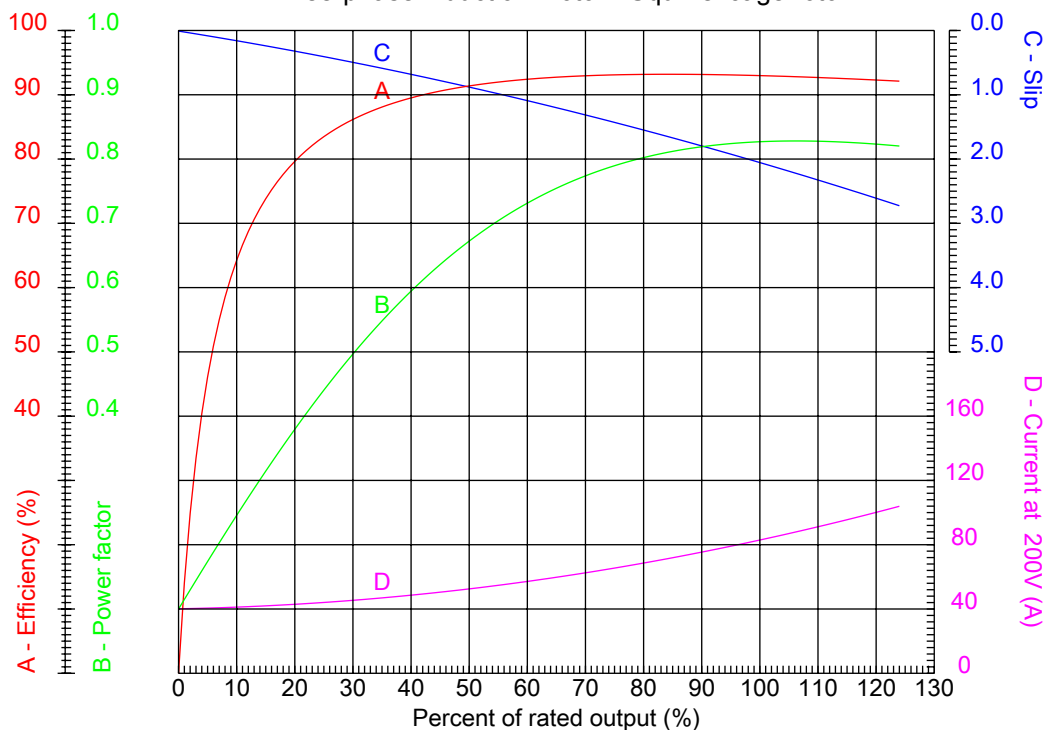


No.:

Date: 31-DEC-2012

PERFORMANCE CURVES RELATED TO RATED OUTPUT

Three-phase induction motor - Squirrel cage rotor



Customer :
Product line : Cooling Tower Motors : NEMA Premium

Frame	: 326T	Locked rotor current (I _l /I _n)	: 6.1
Output	: 30 HP	Duty cycle	: S1
Frequency	: 60 Hz	Service factor	: 1.25
Full load speed	: 1175	Design	: B
Voltage	: 200 V	Locked rotor torque	: 230 %
Rated current	: 82.2 A	Breakdown torque	: 250 %
Insulation class	: F		

Notes:

Performed by

Checked

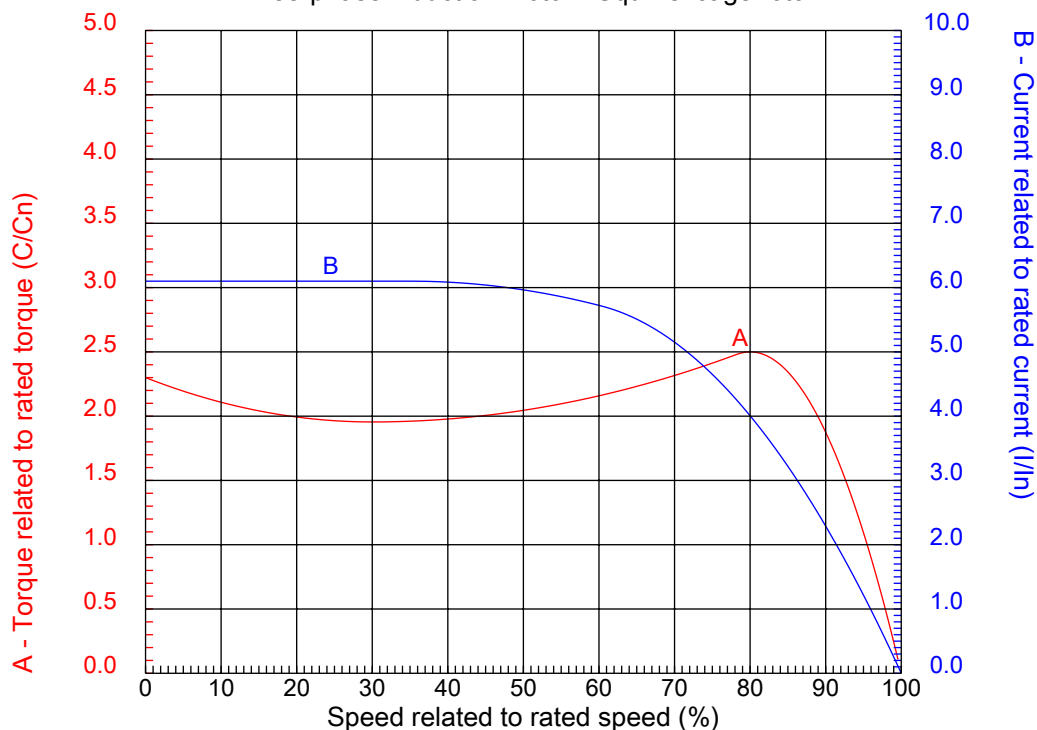


No.:

Date: 31-DEC-2012

CHARACTERISTIC CURVES RELATED TO SPEED

Three-phase induction motor - Squirrel cage rotor



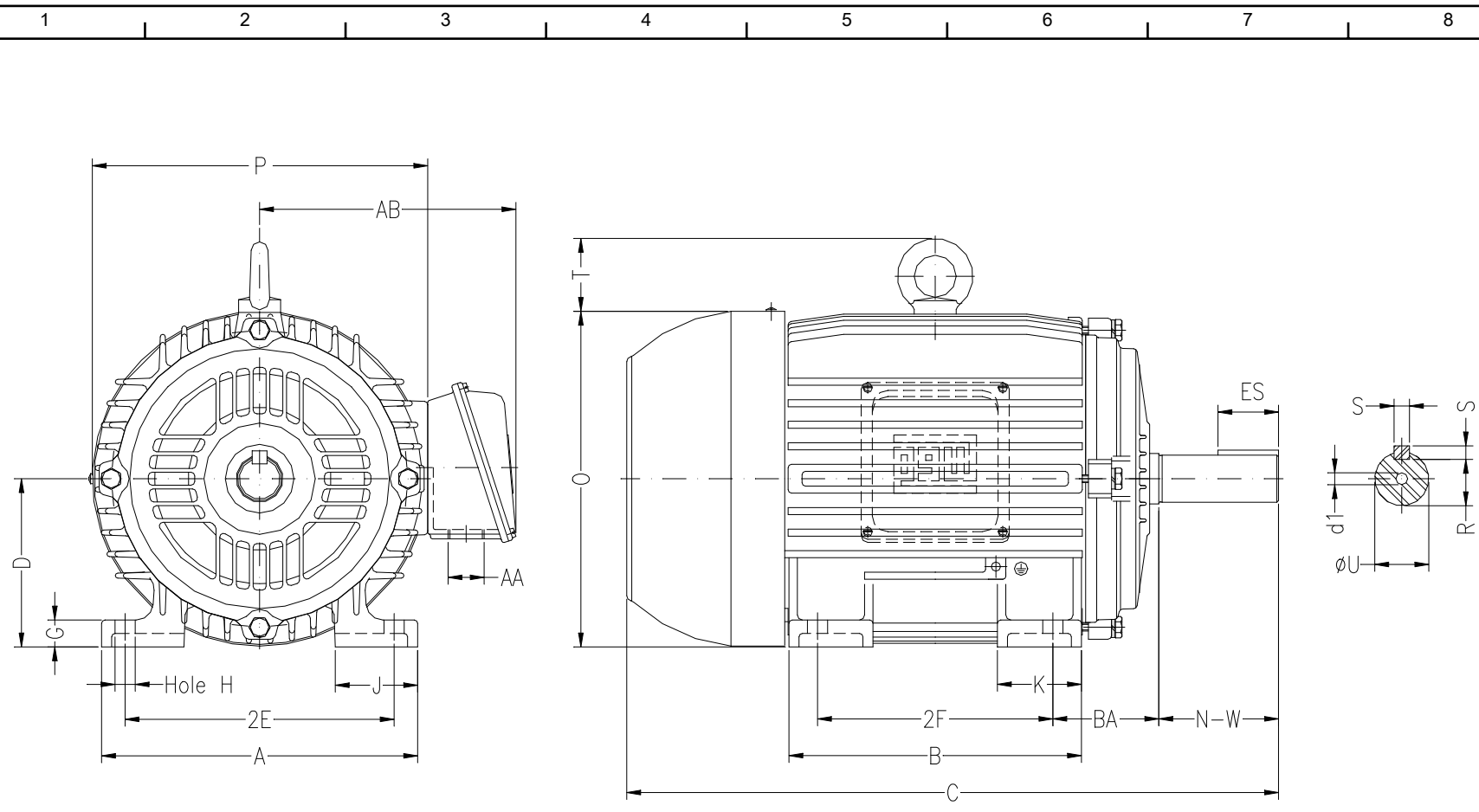
Customer :
Product line : Cooling Tower Motors : NEMA Premium

Frame	: 326T	Locked rotor current (I _l /I _n)	: 6.1
Output	: 30 HP	Duty cycle	: S1
Frequency	: 60 Hz	Service factor	: 1.25
Full load speed	: 1175	Design	: B
Voltage	: 200 V	Locked rotor torque	: 230 %
Rated current	: 82.2 A	Breakdown torque	: 250 %
Insulation class	: F		

Notes:

Performed by

Checked



Notes:

Performed by:

Checked:

Customer:

Cooling Tower Motors : NEMA Premium

Three-phase induction motor
Frame 326T - IP55

31-DEC-2012



2E 12.500	2F 12.000	H 0.657	BA 5.250	A 15.157
B 14.567	C 31.116	D 8.000	G 1.307	J 3.228
K 3.346	O 15.953	P 15.591	ES 3.937	S 0.500
N-W 5.250	U 2.125	R 1.844	AB 11.496	AA NPT 2"
d1 A 4 0.828	Flange FD-406 0.203	AJ 16.000	AK 14.000	BD 18.000