



No.:

Date: 31-DEC-2012

Customer :

TECHNICAL PROPOSAL

Three-phase induction motor - Squirrel cage rotor

Product line : Cooling Tower Motors : NEMA Premium

Catalog Number : 04012ET3ECT364T

List Price : \$8,376

Notes:

Performed by:

Checked:



No.:

Date: 31-DEC-2012

DATA SHEET

Three-phase induction motor - Squirrel cage rotor

Customer :
Product line : Cooling Tower Motors : NEMA Premium

Frame : 364/5T
Output : 40 HP
Frequency : 60 Hz
Poles : 6
Full load speed : 1185
Slip : 1.25 %
Voltage : 208-230/460 V
Rated current : 104-94.2/47.1 A
Locked rotor current : 659/330 A
Locked rotor current (I_L/I_n) : 7.0
No-load current : 35.0/17.5 A
Full load torque : 175 lb.ft
Locked rotor torque : 230 %
Breakdown torque : 230 %
Design : B
Insulation class : F
Temperature rise : 80 K
Locked rotor time : 24 s (hot)
Service factor : 1.25
Duty cycle : S1
Ambient temperature : -20°C - +40°C
Altitude : 1000
Degree of Protection : IP55
Approximate weight : 966 lb
Moment of inertia : 29.040 sq.ft.lb
Noise level : 65 dB(A)

	D.E.	N.D.E.	Load	Power factor	Efficiency (%)
Bearings	6314 C3	6314 C3	100%	0.85	94.1
Regreasing interval	14267 h	14267 h	75%	0.80	94.1
Grease amount	27 g	27 g	50%	0.72	93.6

Notes:

Performed by

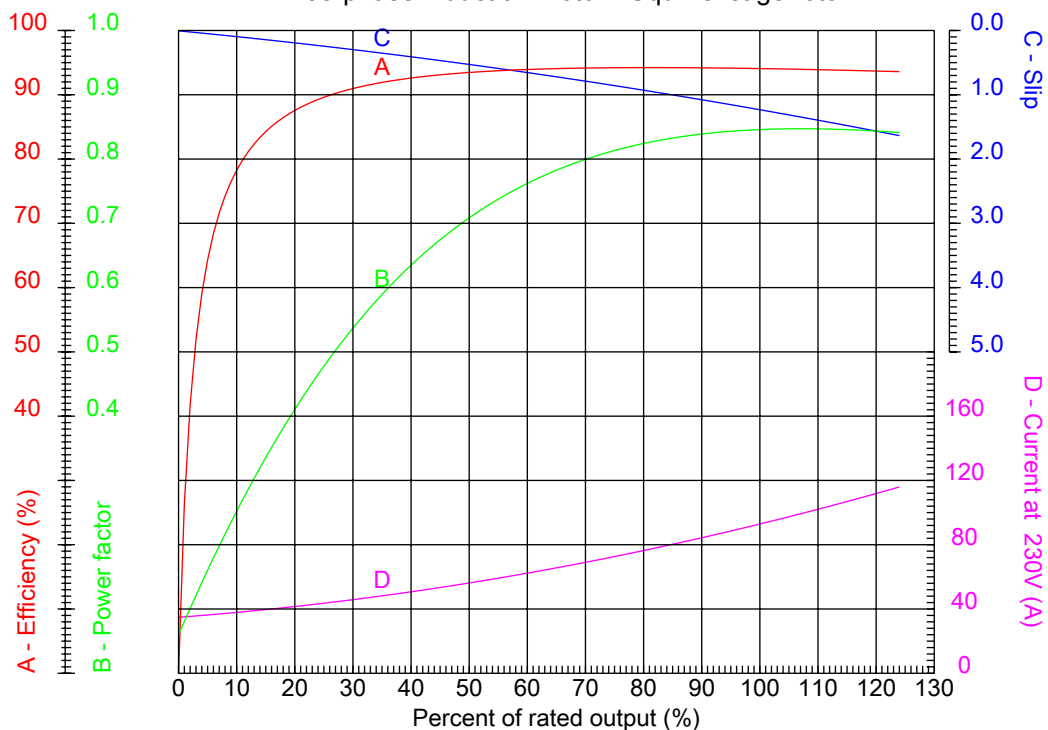
Checked



No.:

Date: 31-DEC-2012

PERFORMANCE CURVES RELATED TO RATED OUTPUT
Three-phase induction motor - Squirrel cage rotor



Customer :
Product line : Cooling Tower Motors : NEMA Premium

Frame	: 364/5T	Locked rotor current (I _l /I _n)	: 7.0
Output	: 40 HP	Duty cycle	: S1
Frequency	: 60 Hz	Service factor	: 1.25
Full load speed	: 1185	Design	: B
Voltage	: 208-230/460 V	Locked rotor torque	: 230 %
Rated current	: 104-94.2/47.1 A	Breakdown torque	: 230 %
Insulation class	: F		

Notes:

Performed by

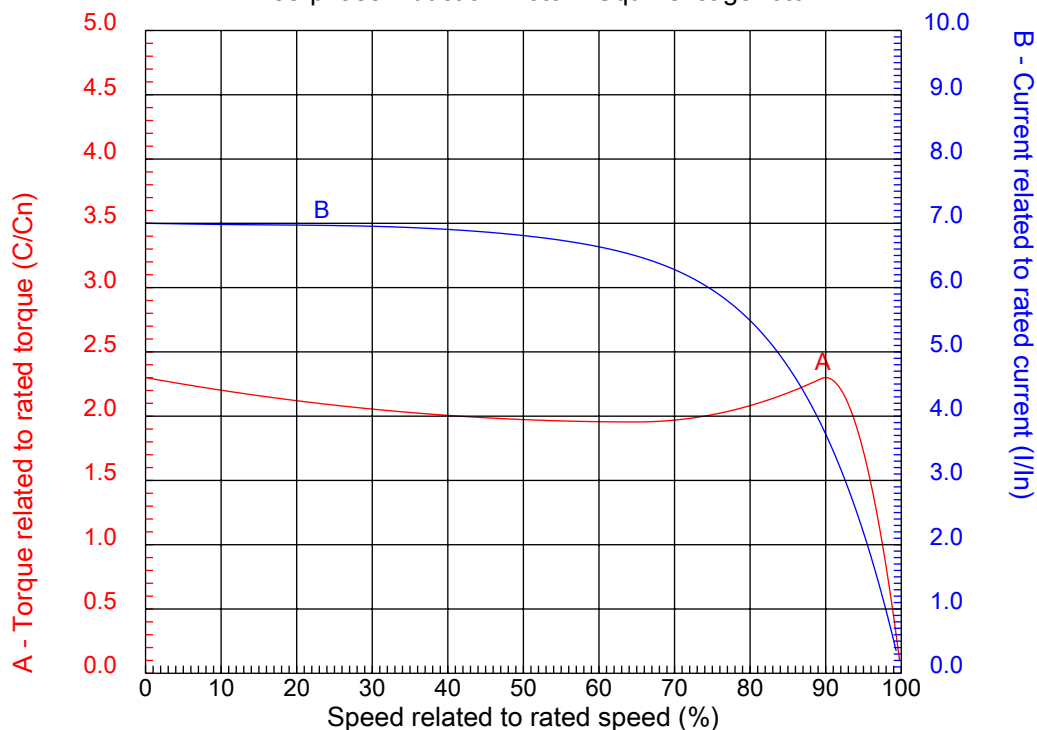
Checked



No.:

Date: 31-DEC-2012

CHARACTERISTIC CURVES RELATED TO SPEED Three-phase induction motor - Squirrel cage rotor



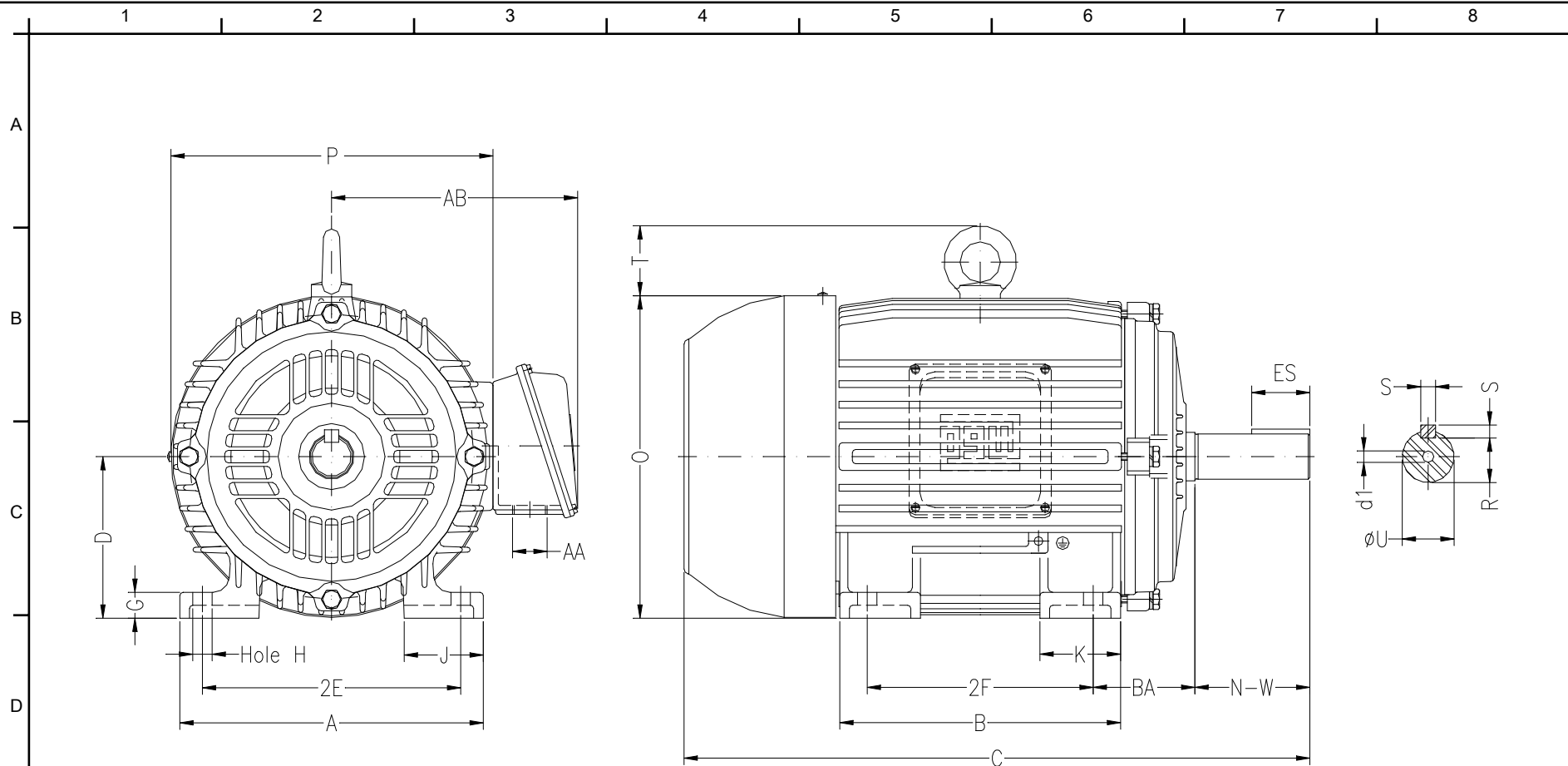
Customer :
Product line : Cooling Tower Motors : NEMA Premium

Frame	: 364/5T	Locked rotor current (I _l /I _n)	: 7.0
Output	: 40 HP	Duty cycle	: S1
Frequency	: 60 Hz	Service factor	: 1.25
Full load speed	: 1185	Design	: B
Voltage	: 208-230/460 V	Locked rotor torque	: 230 %
Rated current	: 104-94.2/47.1 A	Breakdown torque	: 230 %
Insulation class	: F		

Notes:

Performed by

Checked



Notes:

Performed by:

Checked:

Customer:

Cooling Tower Motors : NEMA Premium

Three-phase induction motor
Frame 364/5T - IP55

31-DEC-2012



2E 14.016	2F 11.260/12.244	H 0.657	BA 5.875	A 17.165
B 15.394	C 33.709	D 9.000	G 1.480	J 3.150
K 4.134	O 18.502	P 18.740	ES 4.330	S 0.625
N-W 5.874	U 2.375	R 2.019	AB 16.380	AA NPT 3"
d1 DUNC 3/4"-10	Flange FD-406	AJ 16.000	AK 14.000	BD 17.716
BF 0.828	BB 0.203			