



No.:

Date: 31-DEC-2012

Customer :

TECHNICAL PROPOSAL

Three-phase induction motor - Squirrel cage rotor

Product line : Cooling Tower Motors : NEMA Premium

Catalog Number : 04012ET3PCT364T

List Price : \$8,376

Notes:

Performed by:

Checked:



No.:

Date: 31-DEC-2012

## DATA SHEET

### Three-phase induction motor - Squirrel cage rotor

Customer :  
Product line : Cooling Tower Motors : NEMA Premium

Frame : 364/5T  
Output : 40 HP  
Frequency : 60 Hz  
Poles : 6  
Full load speed : 1185  
Slip : 1.25 %  
Voltage : 200 V  
Rated current : 108 A  
Locked rotor current : 758 A  
Locked rotor current (I<sub>L</sub>/I<sub>n</sub>) : 7.0  
No-load current : 40.3 A  
Full load torque : 175 lb.ft  
Locked rotor torque : 230 %  
Breakdown torque : 230 %  
Design : B  
Insulation class : F  
Temperature rise : 80 K  
Locked rotor time : 24 s (hot)  
Service factor : 1.25  
Duty cycle : S1  
Ambient temperature : -20°C - +40°C  
Altitude : 1000  
Degree of Protection : IP55  
Approximate weight : 966 lb  
Moment of inertia : 29.040 sq.ft.lb  
Noise level : 65 dB(A)

	D.E.	N.D.E.	Load	Power factor	Efficiency (%)
Bearings	6314 C3	6314 C3	100%	0.85	94.1
Regreasing interval	14267 h	14267 h	75%	0.80	94.1
Grease amount	27 g	27 g	50%	0.72	93.6

Notes:

Performed by

Checked

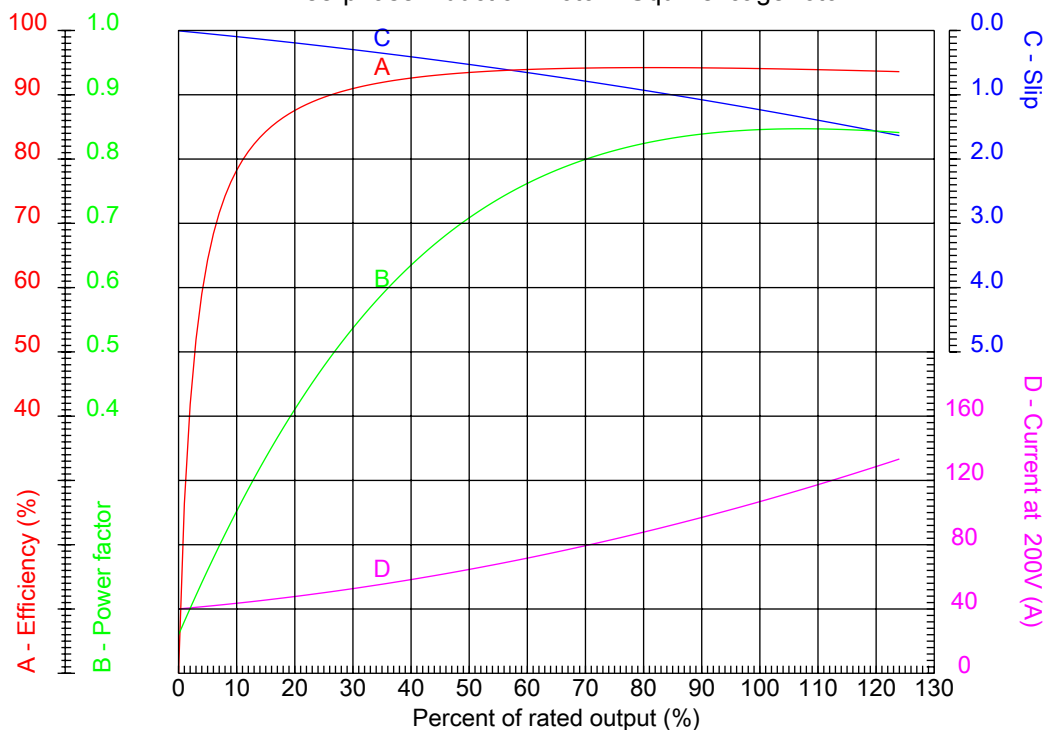


No.:

Date: 31-DEC-2012

### PERFORMANCE CURVES RELATED TO RATED OUTPUT

Three-phase induction motor - Squirrel cage rotor



Customer :  
Product line : Cooling Tower Motors : NEMA Premium

Frame	: 364/5T	Locked rotor current (I <sub>l</sub> /I <sub>n</sub> )	: 7.0
Output	: 40 HP	Duty cycle	: S1
Frequency	: 60 Hz	Service factor	: 1.25
Full load speed	: 1185	Design	: B
Voltage	: 200 V	Locked rotor torque	: 230 %
Rated current	: 108 A	Breakdown torque	: 230 %
Insulation class	: F		

Notes:

Performed by

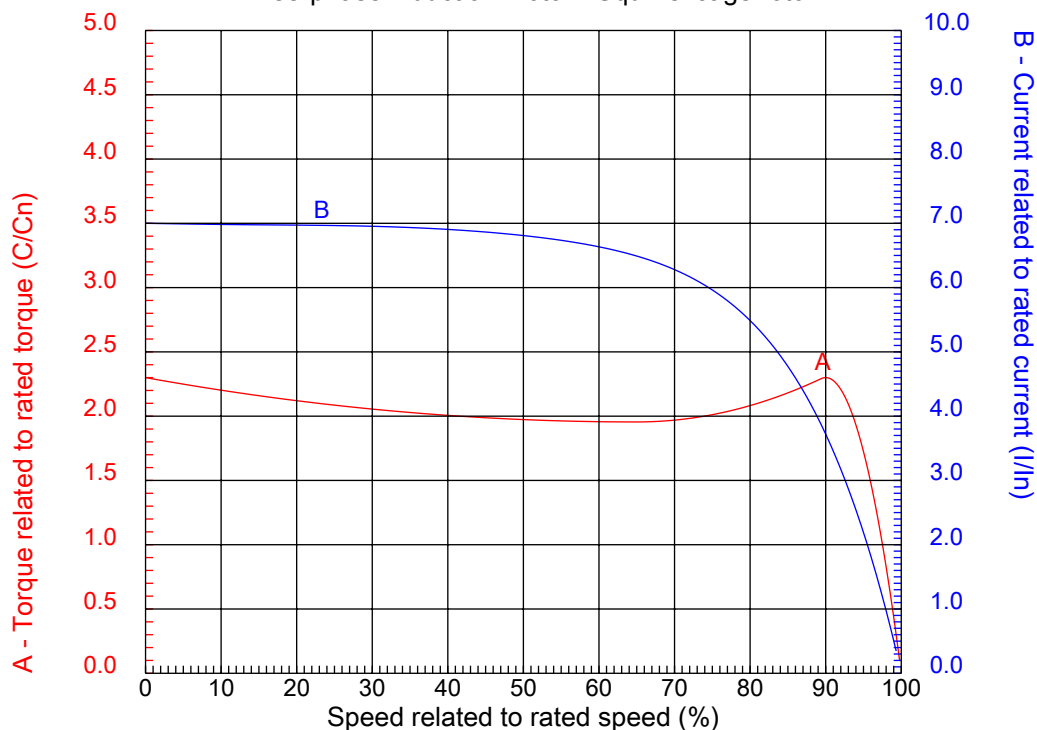
Checked



No.:

Date: 31-DEC-2012

### CHARACTERISTIC CURVES RELATED TO SPEED Three-phase induction motor - Squirrel cage rotor



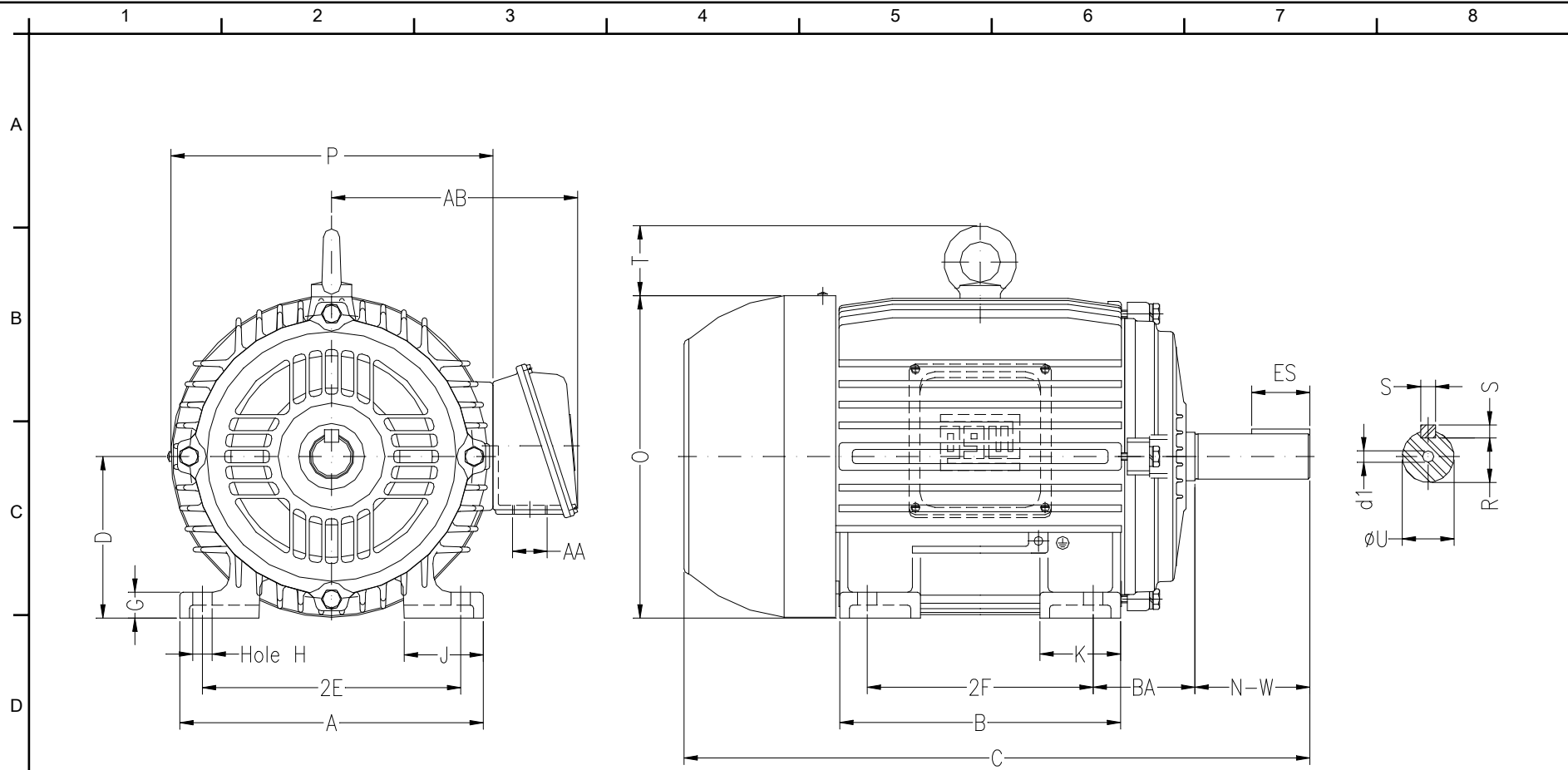
Customer :  
Product line : Cooling Tower Motors : NEMA Premium

Frame	: 364/5T	Locked rotor current (I <sub>l</sub> /I <sub>n</sub> )	: 7.0
Output	: 40 HP	Duty cycle	: S1
Frequency	: 60 Hz	Service factor	: 1.25
Full load speed	: 1185	Design	: B
Voltage	: 200 V	Locked rotor torque	: 230 %
Rated current	: 108 A	Breakdown torque	: 230 %
Insulation class	: F		

Notes:

Performed by

Checked



Notes:

Performed by:

Checked:

Customer:

Cooling Tower Motors : NEMA Premium

Three-phase induction motor  
Frame 364/5T - IP55

31-DEC-2012



2E 14.016	2F 11.260/12.244	H 0.657	BA 5.875	A 17.165
B 15.394	C 33.709	D 9.000	G 1.480	J 3.150
K 4.134	O 18.502	P 18.740	ES 4.330	S 0.625
N-W 5.874	U 2.375	R 2.019	AB 16.380	AA NPT 3"
d1 DUNC 3/4"-10	Flange FD-406	AJ 16.000	AK 14.000	BD 17.716
BF 0.828	BB 0.203			