



No.:

Date: 31-DEC-2012

Customer :

TECHNICAL PROPOSAL

Three-phase induction motor - Squirrel cage rotor

Product line : W22 Cooling Tower Motors: NEMA Premium

Catalog Number : 04018ET3HCT324T-W22

List Price : \$4,805

Notes:

Performed by:

Checked:



No.:

Date: 31-DEC-2012

## DATA SHEET

### Three-phase induction motor - Squirrel cage rotor

Customer :  
Product line : W22 Cooling Tower Motors: NEMA Premium

Frame : 324T  
Output : 40 HP  
Frequency : 60 Hz  
Poles : 4  
Full load speed : 1775  
Slip : 1.39 %  
Voltage : 575 V  
Rated current : 38.6 A  
Locked rotor current : 239 A  
Locked rotor current (I<sub>L</sub>/I<sub>n</sub>) : 6.2  
No-load current : 16.0 A  
Full load torque : 117 lb.ft  
Locked rotor torque : 220 %  
Breakdown torque : 260 %  
Design : B  
Insulation class : F  
Temperature rise : 80 K  
Locked rotor time : 20 s (hot)  
Service factor : 1.25  
Duty cycle : S1  
Ambient temperature : -20°C - +40°C  
Altitude : 1000  
Degree of Protection : IP55  
Approximate weight : 492 lb  
Moment of inertia : 9.1624 sq.ft.lb  
Noise level : 66 dB(A)

	D.E.	N.D.E.	Load	Power factor	Efficiency (%)
Bearings	6312 C3	6212 C3	100%	0.83	94.1
Regreasing interval	20000 h	20000 h	75%	0.78	94.1
Grease amount	21 g	13 g	50%	0.67	93.0

Notes:

Performed by

Checked

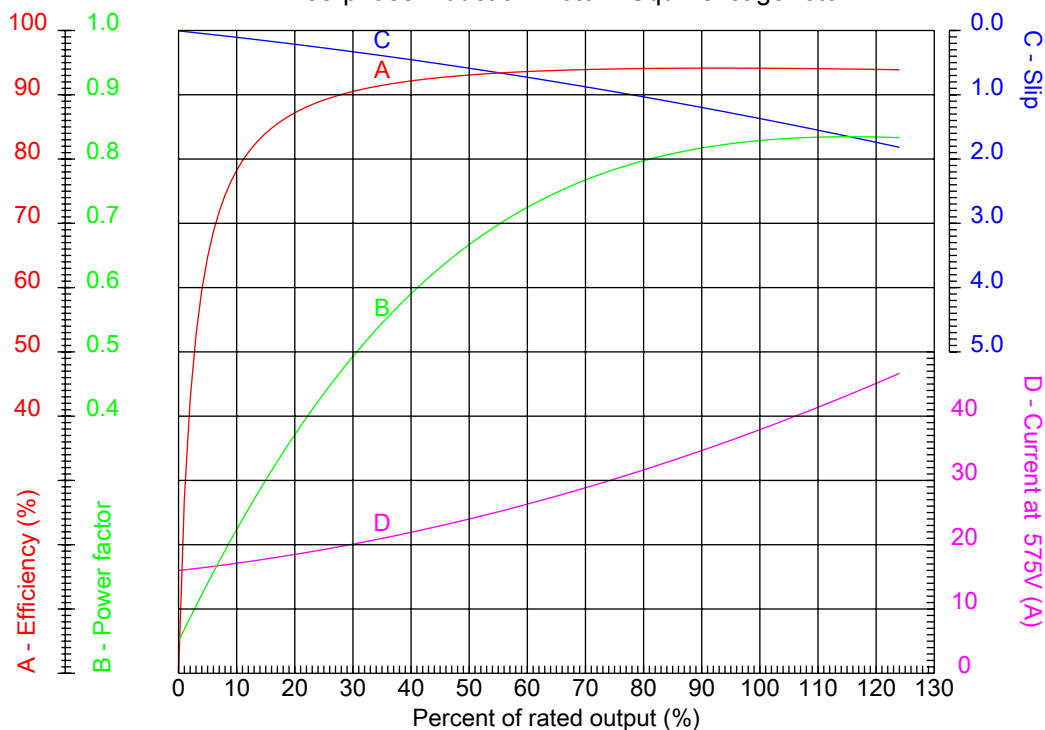


No.:

Date: 31-DEC-2012

### PERFORMANCE CURVES RELATED TO RATED OUTPUT

Three-phase induction motor - Squirrel cage rotor



Customer :  
Product line : W22 Cooling Tower Motors: NEMA Premium

Frame : 324T	Locked rotor current (I <sub>l</sub> /I <sub>n</sub> ) : 6.2
Output : 40 HP	Duty cycle : S1
Frequency : 60 Hz	Service factor : 1.25
Full load speed : 1775	Design : B
Voltage : 575 V	Locked rotor torque : 220 %
Rated current : 38.6 A	Breakdown torque : 260 %
Insulation class : F	

Notes:

Performed by

Checked

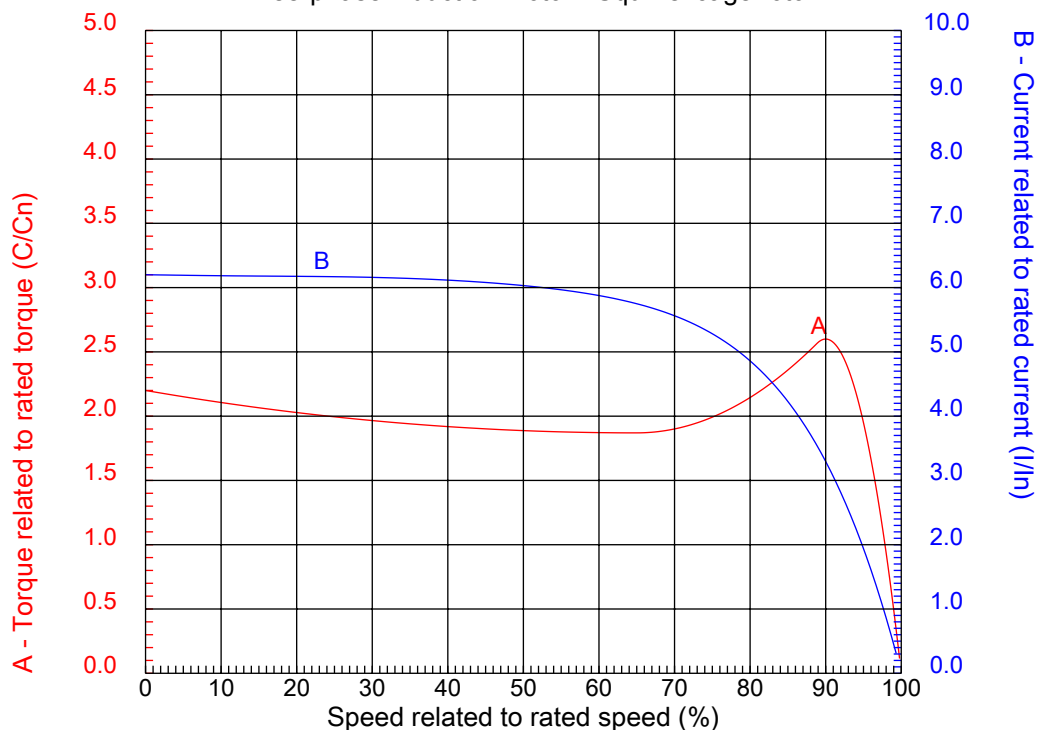


No.:

Date: 31-DEC-2012

### CHARACTERISTIC CURVES RELATED TO SPEED

Three-phase induction motor - Squirrel cage rotor



Customer :  
Product line : W22 Cooling Tower Motors: NEMA Premium

Frame	: 324T	Locked rotor current (I <sub>l</sub> /I <sub>n</sub> )	: 6.2
Output	: 40 HP	Duty cycle	: S1
Frequency	: 60 Hz	Service factor	: 1.25
Full load speed	: 1775	Design	: B
Voltage	: 575 V	Locked rotor torque	: 220 %
Rated current	: 38.6 A	Breakdown torque	: 260 %
Insulation class	: F		

Notes:

Performed by

Checked

1 2 3 4 5 6 7 8

A

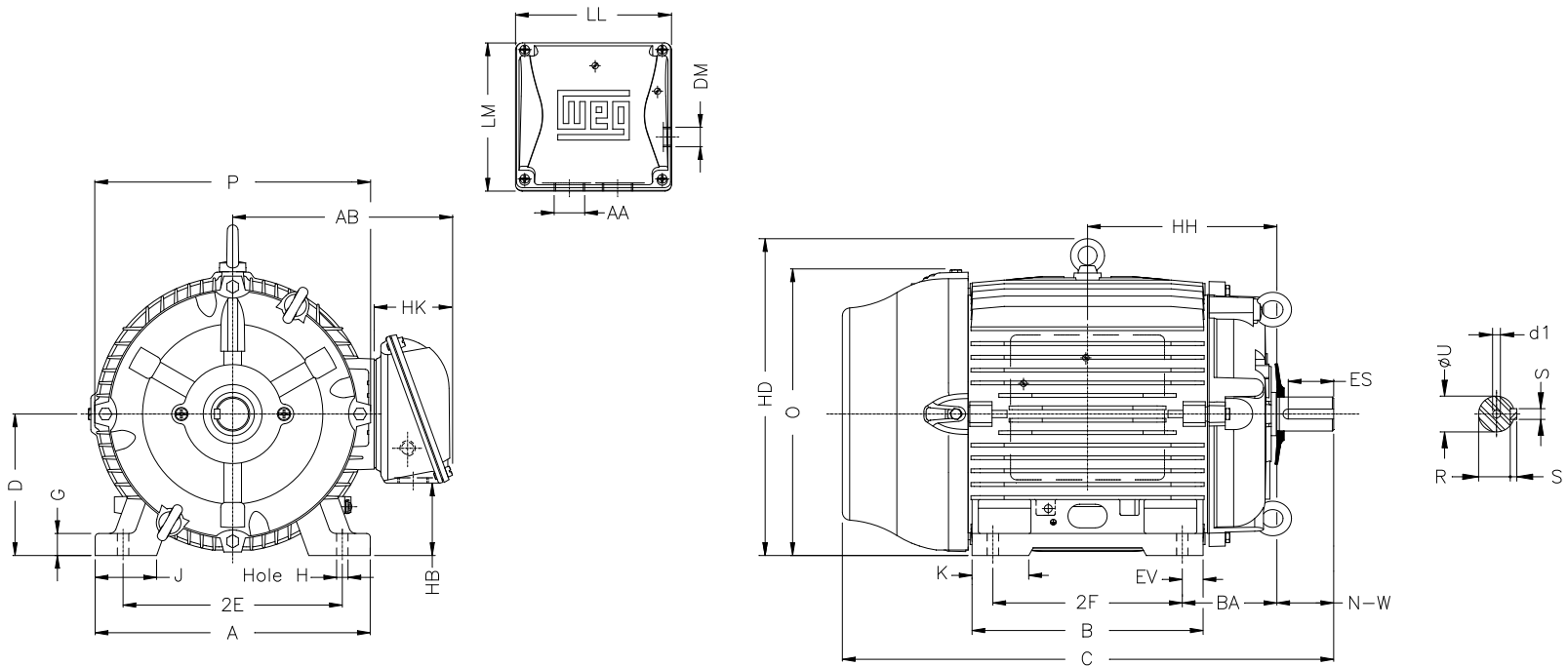
B

C

D

E

F



Notes:

2E 12.500	J 3.189	A 15.157	P 14.961	AB 12.575
2F 10.500	K 3.189	B 13.071	BA 5.250	U 2.125
N-W 5.250	ES 3.937	S 0.500	R 1.844	depth 0.500
D 8.000	G 1.300	HB 4.811	O 15.953	T 2.441
HD 18.394	HF 8.708	HH 10.500	HK 4.701	H 0.657
C 29.620	LL 9.055	LM 8.668	AA NPT 2"	d1 A 4
d2 A 4				

Performed by:

Checked:

Customer:

W22 Cooling Tower Motors: NEMA Premium

Three-phase induction motor  
Frame 324T - IP55

31-DEC-2012

