



No.:

Date: 31-DEC-2012

Customer :

TECHNICAL PROPOSAL

Three-phase induction motor - Squirrel cage rotor

Product line : Cooling Tower Motors : High Efficiency - Two Speed

Catalog Number : 04089EP3QCT326V

List Price : \$5,464

Notes:

Performed by:

Checked:



No.:

Date: 31-DEC-2012

## DATA SHEET

### Three-phase induction motor - Squirrel cage rotor

Customer :  
Product line : Cooling Tower Motors : High Efficiency - Two Speed

Frame : 326T  
Output : 10 HP  
Frequency : 60 Hz  
Poles : 8  
Full load speed : 885  
Slip : 1.67 %  
Voltage : 460 V  
Rated current : 18.0 A  
Locked rotor current : 55.8 A  
Locked rotor current (I<sub>L</sub>/I<sub>n</sub>) : 3.1  
No-load current : 10.0 A  
Full load torque : 58.5 lb.ft  
Locked rotor torque : 160 %  
Breakdown torque : 170 %  
Design : A  
Insulation class : F  
Temperature rise : 80 K  
Locked rotor time : 50 s (hot)  
Service factor : 1.15  
Duty cycle : S1  
Ambient temperature : -20°C - +40°C  
Altitude : 1000  
Degree of Protection : IP55  
Approximate weight : 595 lb  
Moment of inertia : 9.1622 sq.ft.lb  
Noise level : 56 dB(A)

	D.E.	N.D.E.	Load	Power factor	Efficiency (%)
Bearings	6312 2RS	6212 2RS	100%	0.60	87.0
Regreasing interval	---	---	75%	0.56	87.0
Grease amount	---	---	50%	0.45	85.0

Notes:

Performed by

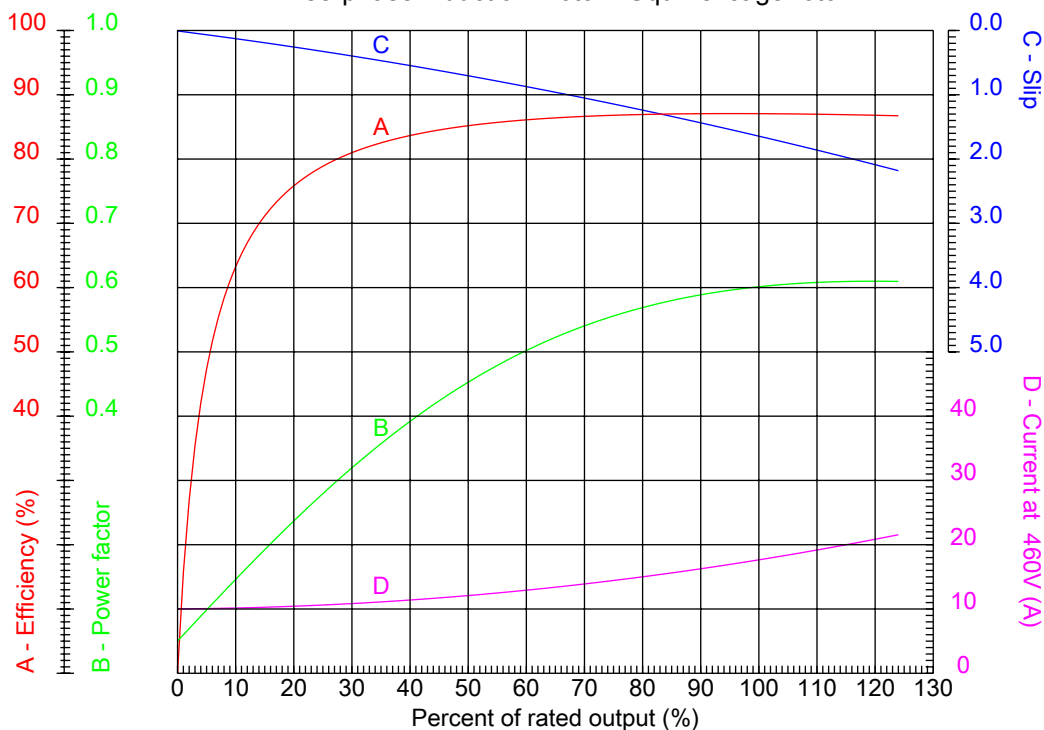
Checked



No.:

Date: 31-DEC-2012

PERFORMANCE CURVES RELATED TO RATED OUTPUT  
Three-phase induction motor - Squirrel cage rotor



Customer :  
Product line : Cooling Tower Motors : High Efficiency - Two Speed

Frame : 326T	Locked rotor current (I <sub>l</sub> /I <sub>n</sub> ) : 3.1
Output : 10 HP	Duty cycle : S1
Frequency : 60 Hz	Service factor : 1.15
Full load speed : 885	Design : A
Voltage : 460 V	Locked rotor torque : 160 %
Rated current : 18.0 A	Breakdown torque : 170 %
Insulation class : F	

Notes:

Performed by

Checked

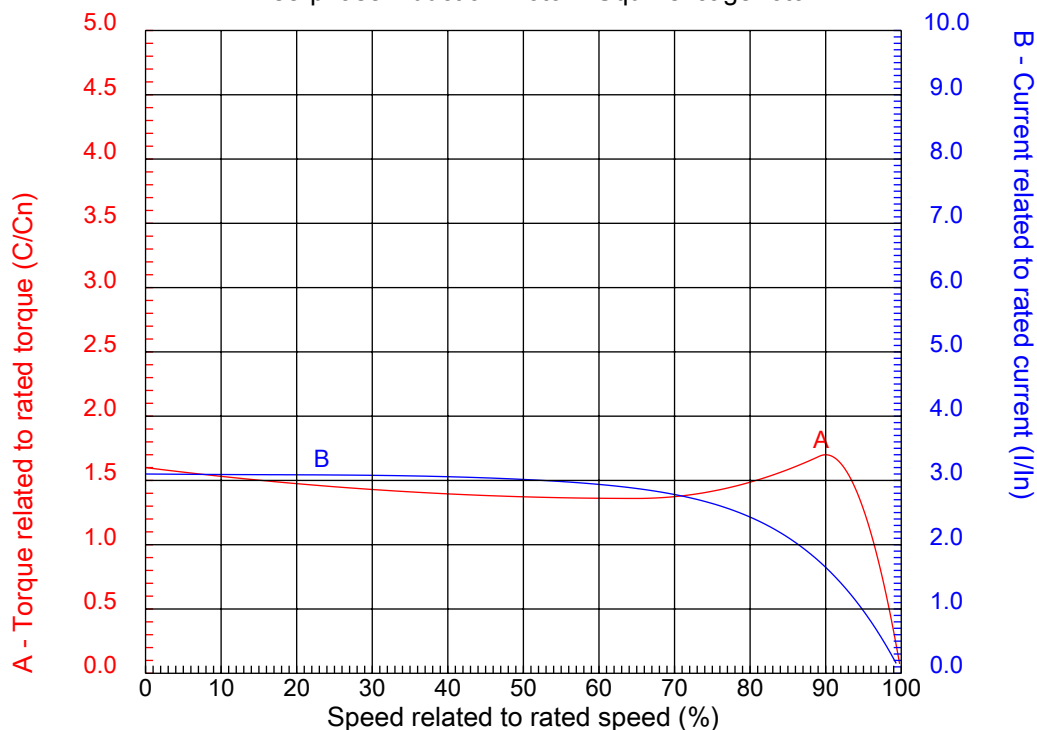


No.:

Date: 31-DEC-2012

### CHARACTERISTIC CURVES RELATED TO SPEED

Three-phase induction motor - Squirrel cage rotor



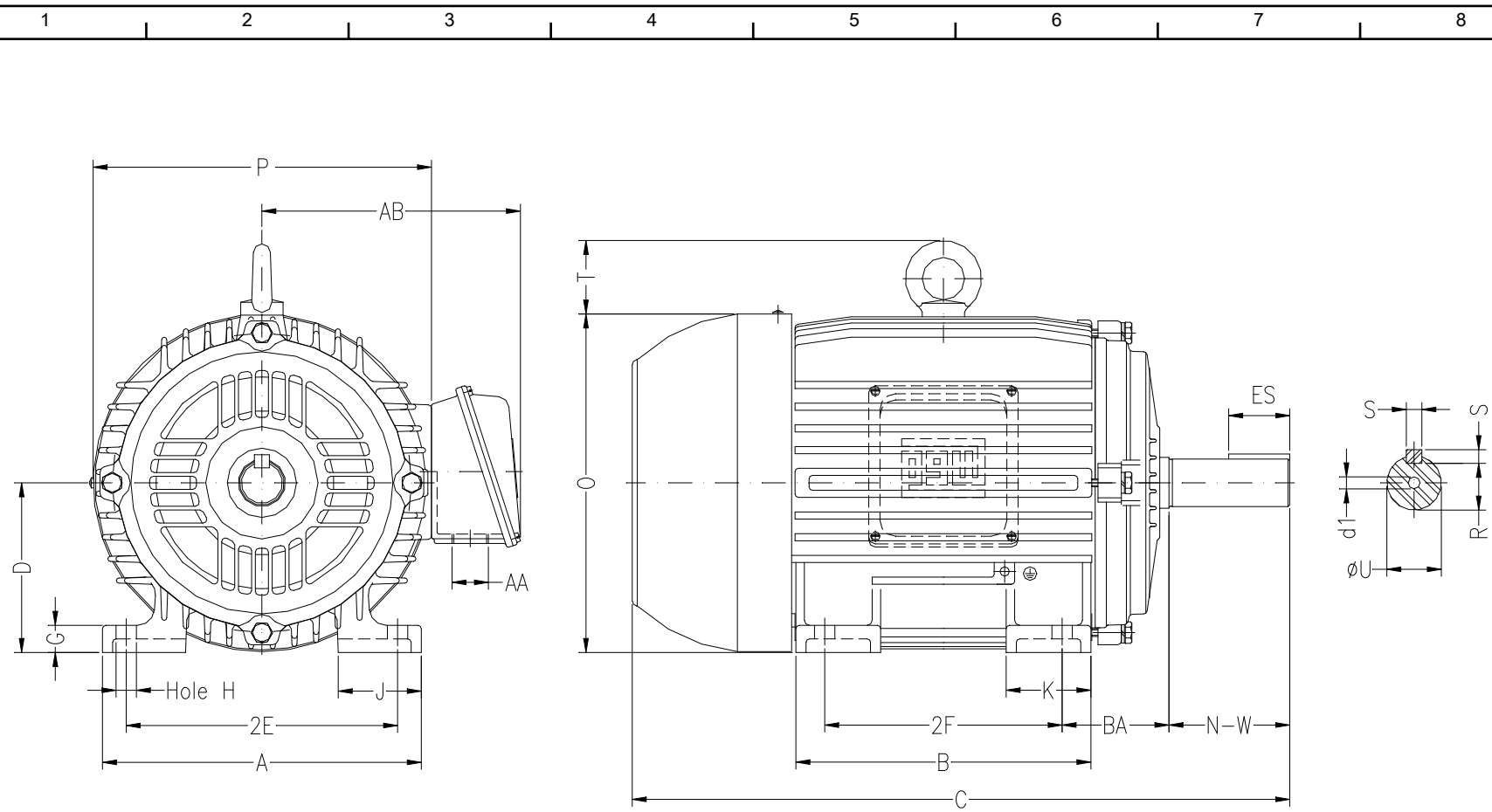
Customer :  
Product line : Cooling Tower Motors : High Efficiency - Two Speed

Frame	: 326T	Locked rotor current (I <sub>l</sub> /I <sub>n</sub> )	: 3.1
Output	: 10 HP	Duty cycle	: S1
Frequency	: 60 Hz	Service factor	: 1.15
Full load speed	: 885	Design	: A
Voltage	: 460 V	Locked rotor torque	: 160 %
Rated current	: 18.0 A	Breakdown torque	: 170 %
Insulation class	: F		

Notes:

Performed by

Checked



Notes:

Performed by:

Checked:

Customer:

Cooling Tower Motors : High Efficiency - Two Speed

2E	2F	H	BA	A
12.500	12.000	0.657	5.250	15.157
B	C	D	G	J
14.567	31.116	8.000	1.307	3.228
K	O	P	ES	S
3.346	15.953	15.591	3.937	0.500
N-W	U	R	AB	AA
5.250	2.125	1.844	11.496	NPT 2"
d1	Flange	AJ	AK	BD
A 4	FD-406	16.000	14.000	18.000
BF	BB			
0.828	0.203			

Three-phase induction motor  
Frame 326T - IP55

31-DEC-2012

