



No.:

Date: 31-DEC-2012

Customer :

TECHNICAL PROPOSAL

Three-phase induction motor - Squirrel cage rotor

Product line : W22 Cooling Tower Motors: NEMA Premium

Catalog Number : 05018ET3ECT326T-W22

List Price : \$5,865

Notes:

Performed by:

Checked:



No.:

Date: 31-DEC-2012

DATA SHEET

Three-phase induction motor - Squirrel cage rotor

Customer :
Product line : W22 Cooling Tower Motors: NEMA Premium

Frame : 326T
Output : 50 HP
Frequency : 60 Hz
Poles : 4
Full load speed : 1775
Slip : 1.39 %
Voltage : 208-230/460 V
Rated current : 131-118/59.2 A
Locked rotor current : 734/367 A
Locked rotor current (I_L/I_n) : 6.2
No-load current : 50.0/25.0 A
Full load torque : 146 lb.ft
Locked rotor torque : 230 %
Breakdown torque : 270 %
Design : B
Insulation class : F
Temperature rise : 80 K
Locked rotor time : 15 s (hot)
Service factor : 1.25
Duty cycle : S1
Ambient temperature : -20°C - +40°C
Altitude : 1000
Degree of Protection : IP55
Approximate weight : 536 lb
Moment of inertia : 9.1624 sq.ft.lb
Noise level : 66 dB(A)

	D.E.	N.D.E.	Load	Power factor	Efficiency (%)
Bearings	6312 C3	6212 C3	100%	0.83	94.5
Regreasing interval	20000 h	20000 h	75%	0.77	94.1
Grease amount	21 g	13 g	50%	0.66	93.0

Notes:

Performed by

Checked

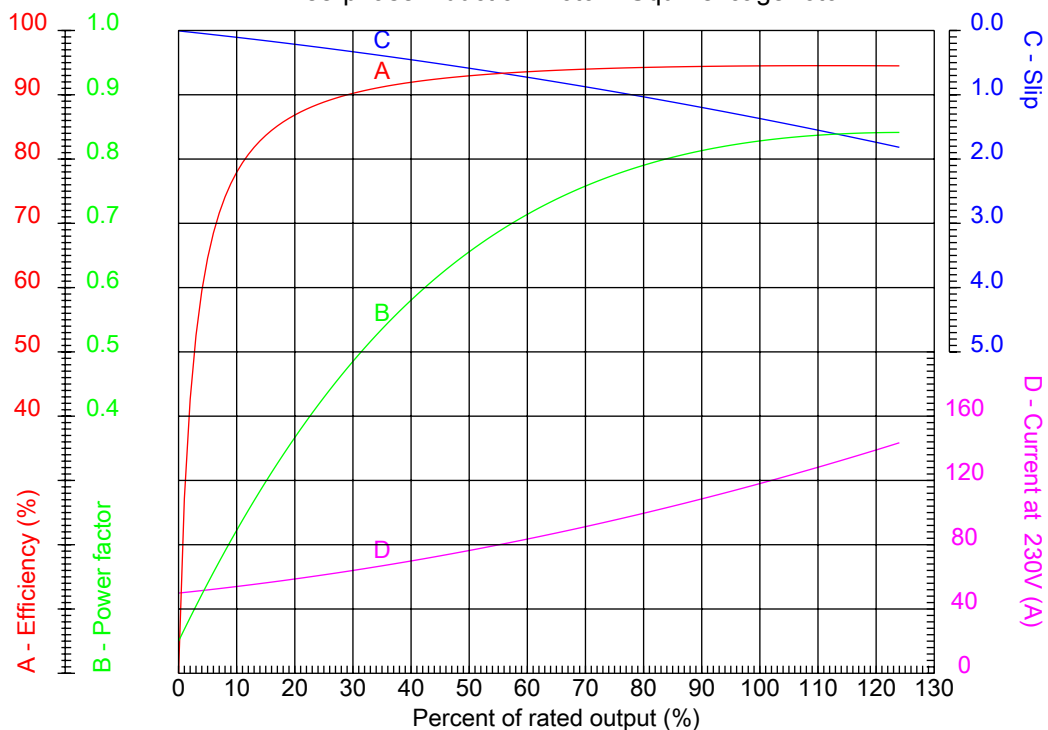


No.:

Date: 31-DEC-2012

PERFORMANCE CURVES RELATED TO RATED OUTPUT

Three-phase induction motor - Squirrel cage rotor



Customer :
Product line : W22 Cooling Tower Motors: NEMA Premium

Frame	: 326T	Locked rotor current (I _l /I _n)	: 6.2
Output	: 50 HP	Duty cycle	: S1
Frequency	: 60 Hz	Service factor	: 1.25
Full load speed	: 1775	Design	: B
Voltage	: 208-230/460 V	Locked rotor torque	: 230 %
Rated current	: 131-118/59.2 A	Breakdown torque	: 270 %
Insulation class	: F		

Notes:

Performed by

Checked

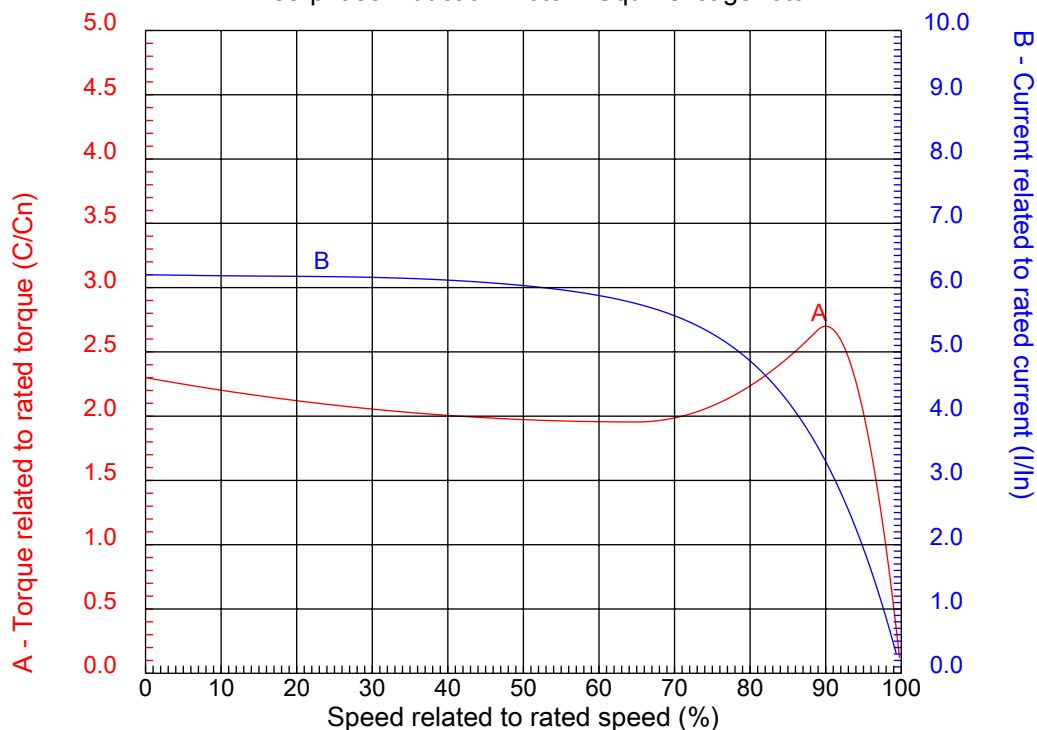


No.:

Date: 31-DEC-2012

CHARACTERISTIC CURVES RELATED TO SPEED

Three-phase induction motor - Squirrel cage rotor



Customer :
Product line : W22 Cooling Tower Motors: NEMA Premium

Frame	: 326T	Locked rotor current (I _l /I _n)	: 6.2
Output	: 50 HP	Duty cycle	: S1
Frequency	: 60 Hz	Service factor	: 1.25
Full load speed	: 1775	Design	: B
Voltage	: 208-230/460 V	Locked rotor torque	: 230 %
Rated current	: 131-118/59.2 A	Breakdown torque	: 270 %
Insulation class	: F		

Notes:

Performed by

Checked

1 2 3 4 5 6 7 8

A

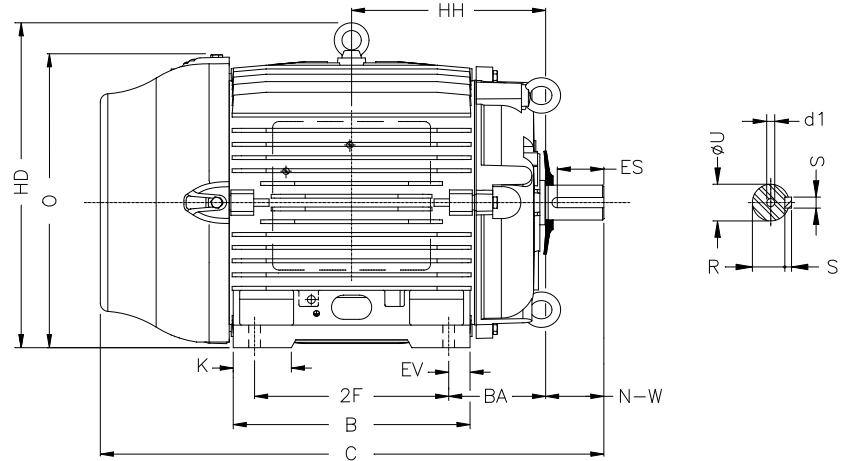
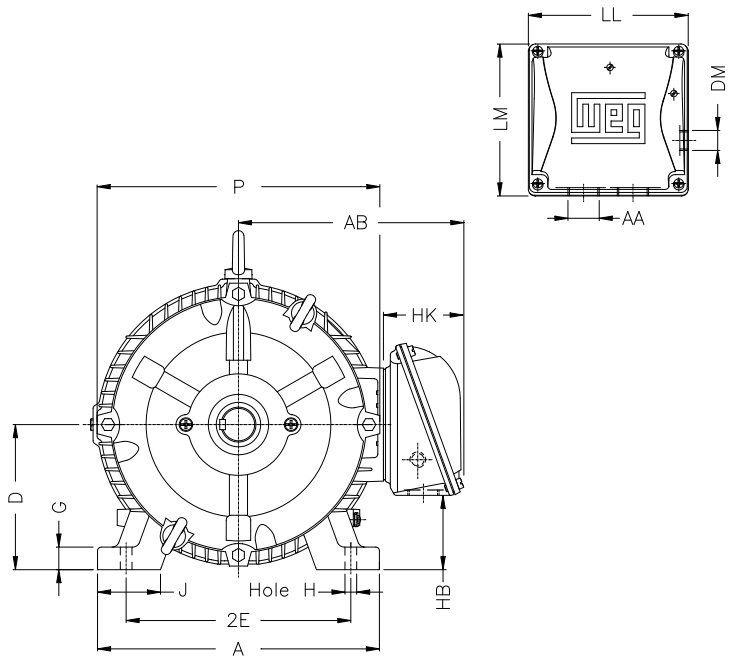
B

C

D

E

F



Notes:

Performed by:

Checked:

Customer:

W22 Cooling Tower Motors: NEMA Premium

Three-phase induction motor
Frame 326T - IP55

31-DEC-2012



2E 12.500	J 3.189	A 15.157	P 14.961	AB 12.575
2F 12.000	K 3.189	B 14.567	BA 5.250	U 2.125
N-W 5.250	ES 3.937	S 0.500	R 1.844	depth 0.500
D 8.000	G 1.300	HB 4.811	O 15.953	T 2.441
HD 18.394	HF 8.708	HH 11.250	HK 4.701	H 0.657
C 31.116	LL 9.055	LM 8.668	AA NPT 2"	d1 A 4
d2 A 4				