



No.:

Date: 31-DEC-2012

Customer :

TECHNICAL PROPOSAL

Three-phase induction motor - Squirrel cage rotor

Product line : Cooling Tower Motors : NEMA Premium

Catalog Number : 05018ET3PCT326T

List Price : \$5,865

Notes:

Performed by:

Checked:



No.:

Date: 31-DEC-2012

DATA SHEET

Three-phase induction motor - Squirrel cage rotor

Customer :
Product line : Cooling Tower Motors : NEMA Premium

Frame : 326T
Output : 50 HP
Frequency : 60 Hz
Poles : 4
Full load speed : 1780
Slip : 1.11 %
Voltage : 200 V
Rated current : 139 A
Locked rotor current : 1020 A
Locked rotor current (I_L/I_n) : 7.3
No-load current : 63.3 A
Full load torque : 146 lb.ft
Locked rotor torque : 260 %
Breakdown torque : 280 %
Design : B
Insulation class : F
Temperature rise : 80 K
Locked rotor time : 20 s (hot)
Service factor : 1.25
Duty cycle : S1
Ambient temperature : -20°C - +40°C
Altitude : 1000
Degree of Protection : IP55
Approximate weight : 617 lb
Moment of inertia : 9.1624 sq.ft.lb
Noise level : 71 dB(A)

	D.E.	N.D.E.	Load	Power factor	Efficiency (%)
Bearings	6312 2RS	6212 2RS	100%	0.81	94.5
Regreasing interval	---	---	75%	0.76	94.5
Grease amount	---	---	50%	0.65	93.6

Notes:

Performed by

Checked

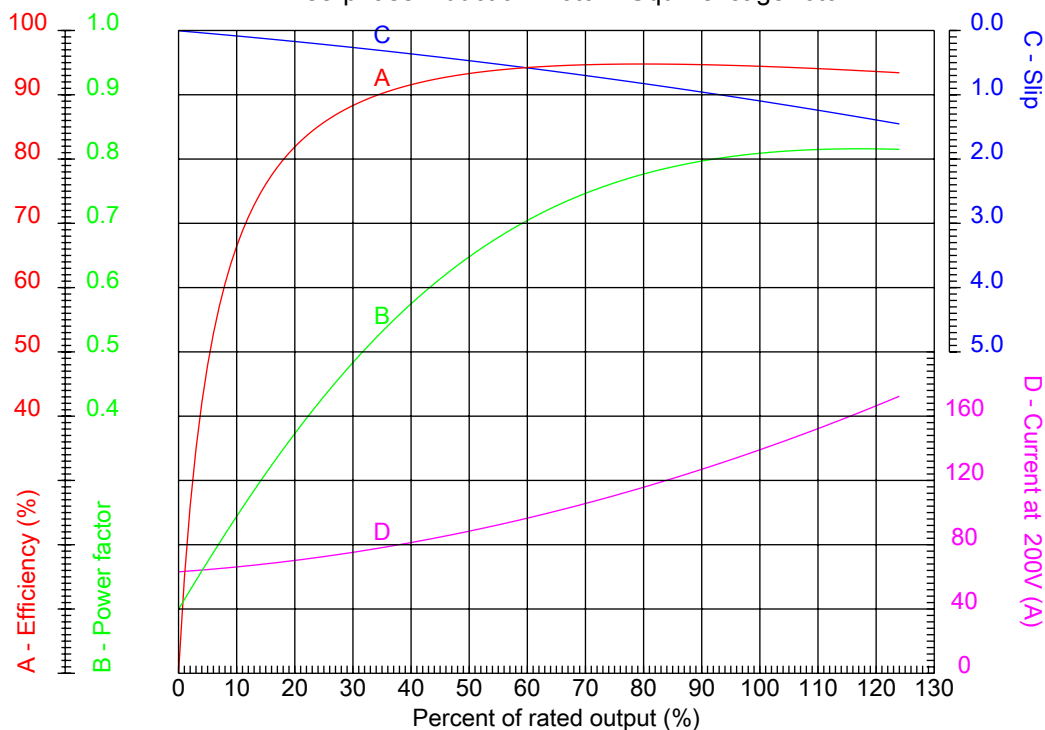


No.:

Date: 31-DEC-2012

PERFORMANCE CURVES RELATED TO RATED OUTPUT

Three-phase induction motor - Squirrel cage rotor



Customer :
Product line : Cooling Tower Motors : NEMA Premium

Frame	: 326T	Locked rotor current (I _l /I _n)	: 7.3
Output	: 50 HP	Duty cycle	: S1
Frequency	: 60 Hz	Service factor	: 1.25
Full load speed	: 1780	Design	: B
Voltage	: 200 V	Locked rotor torque	: 260 %
Rated current	: 139 A	Breakdown torque	: 280 %
Insulation class	: F		

Notes:

Performed by

Checked

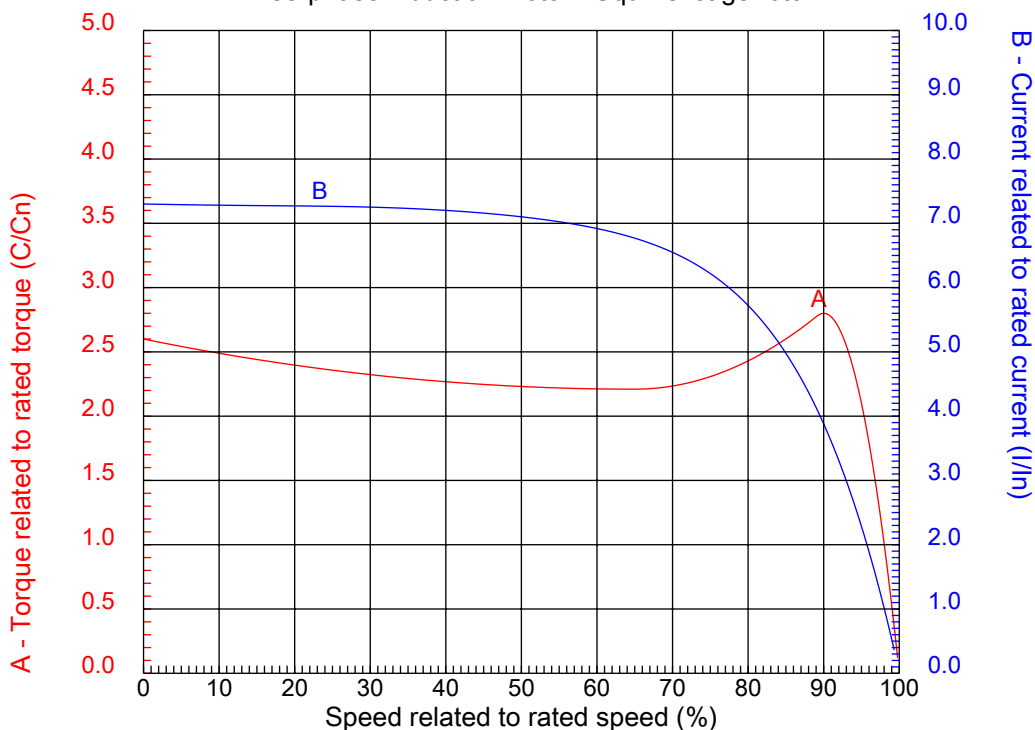


No.:

Date: 31-DEC-2012

CHARACTERISTIC CURVES RELATED TO SPEED

Three-phase induction motor - Squirrel cage rotor



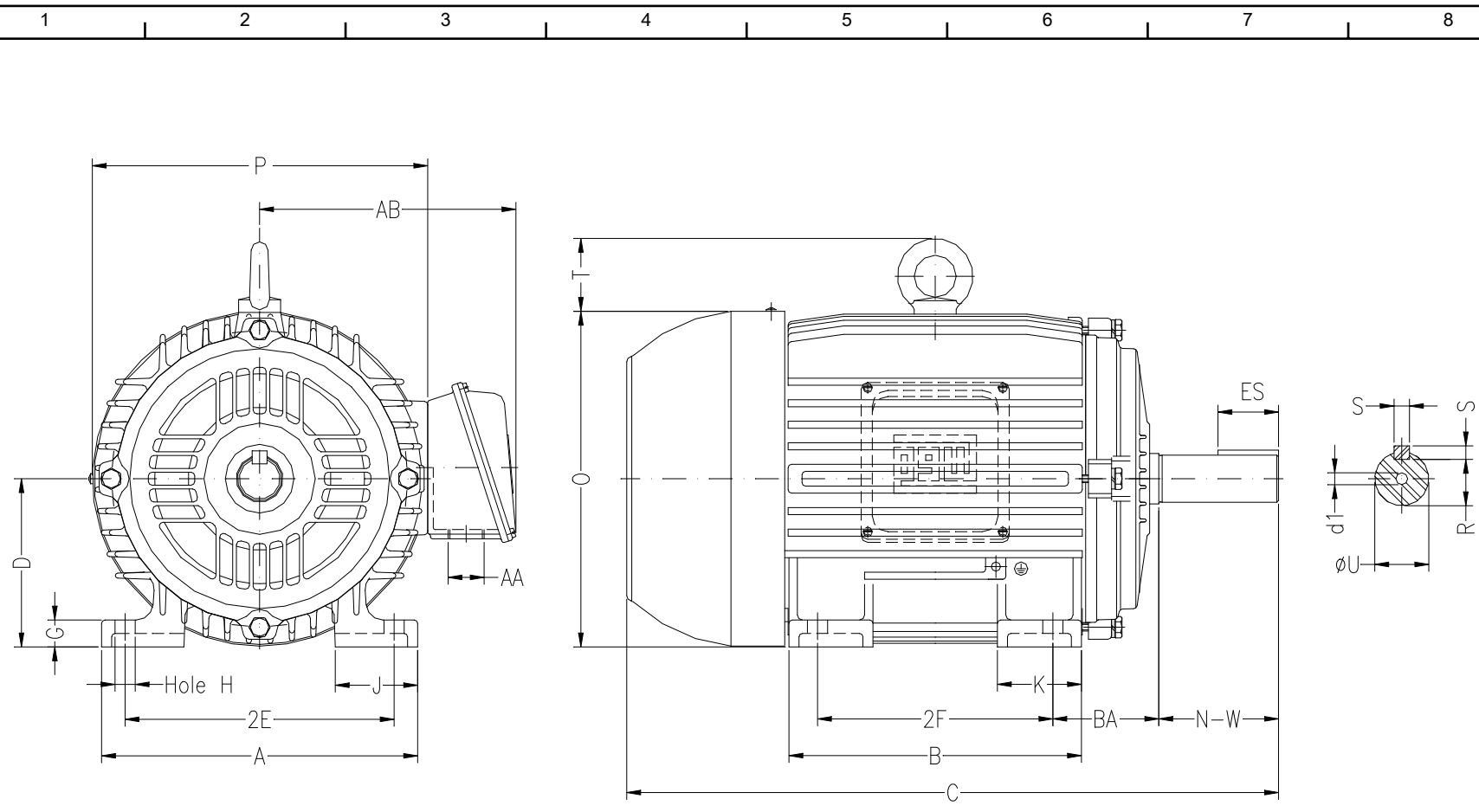
Customer :
Product line : Cooling Tower Motors : NEMA Premium

Frame	: 326T	Locked rotor current (I _l /I _n)	: 7.3
Output	: 50 HP	Duty cycle	: S1
Frequency	: 60 Hz	Service factor	: 1.25
Full load speed	: 1780	Design	: B
Voltage	: 200 V	Locked rotor torque	: 260 %
Rated current	: 139 A	Breakdown torque	: 280 %
Insulation class	: F		

Notes:

Performed by

Checked



Notes:

Performed by:

Checked:

Customer:

Cooling Tower Motors : NEMA Premium

Three-phase induction motor
Frame 326T - IP55

31-DEC-2012



2E 12.500	2F 12.000	H 0.657	BA 5.250	A 15.157
B 14.567	C 31.116	D 8.000	G 1.307	J 3.228
K 3.346	O 15.953	P 15.591	ES 3.937	S 0.500
N-W 5.250	U 2.125	R 1.844	AB 11.496	AA NPT 2"
d1 A 4	Flange FD-406	AJ 16.000	AK 14.000	BD 18.000
BF 0.828	BB 0.203			